

# SERVICE MANUAL



T533CT/T533C/T513CT/  
T513C/T533AH/T513AH

DVD VIDEO PLAYER

T533CT/T533C/T513CT/  
T513C/T533AH/T513AH

DVD VIDEO PLAYER



# SECTION 1

## SUMMARY

### CONTENTS

<b>PRODUCT SAFETY SERVICING GUIDELINES FOR VIDEO PRODUCTS .....</b>	<b>1-2</b>
<b>SERVICING PRECAUTIONS .....</b>	<b>1-3</b>
• General Servicing Precautions	
• Insulation Checking Prodedure	
• Electrostatically Sensitive Devices	
<b>SPECIFICATIONS .....</b>	<b>1-4</b>

# PRODUCT SAFETY SERVICING GUIDELINES FOR VIDEO PRODUCTS

**CAUTION :** DO NOT ATTEMPT TO MODIFY THIS PRODUCT IN ANY WAY. NEVER PERFORM CUSTOMIZED INSTALLATIONS WITHOUT MANUFACTURER'S APPROVAL. UNAUTHORIZED MODIFICATIONS WILL NOT ONLY VOID THE WARRANTY, BUT MAY LEAD TO YOUR BEING LIABLE FOR ANY RESULTING PROPERTY DAMAGE OR USER INJURY.

SERVICE WORK SHOULD BE PERFORMED ONLY AFTER YOU ARE THOROUGHLY FAMILIAR WITH ALL OF THE FOLLOWING SAFETY CHECKS AND SERVICING GUIDELINES. TO DO OTHERWISE, INCREASES THE RISK OF POTENTIAL HAZARDS AND INJURY TO THE USER.

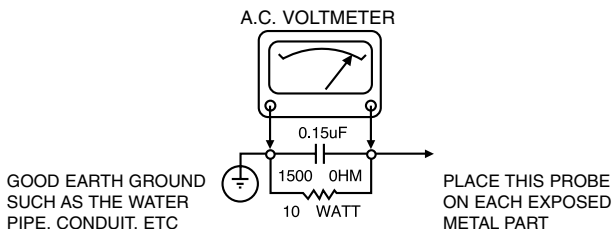
WHILE SERVICING, USE AN ISOLATION TRANSFORMER FOR PROTECTION FROM A.C. LINE SHOCK.

## SAFETY CHECKS

AFTER THE ORIGINAL SERVICE PROBLEM HAS BEEN CORRECTED, A CHECK SHOULD BE MADE OF THE FOLLOWING.

### SUBJECT : FIRE & SHOCK HAZARD

1. BE SURE THAT ALL COMPONENTS ARE POSITIONED IN SUCH A WAY AS TO AVOID POSSIBILITY OF ADJACENT COMPONENT SHORTS. THIS IS ESPECIALLY IMPORTANT ON THOSE MODULES WHICH ARE TRANSPORTED TO AND FROM THE REPAIR SHOP.
2. NEVER RELEASE A REPAIR UNLESS ALL PROTECTIVE DEVICES SUCH AS INSULATORS, BARRIERS, COVERS, SHIELDS, STRAIN RELIEFS, POWER SUPPLY CORDS, AND OTHER HARDWARE HAVE BEEN REINSTALLED PER ORIGINAL DESIGN. BE SURE THAT THE SAFETY PURPOSE OF THE POLARIZED LINE PLUG HAS NOT BEEN DEFEATED.
3. SOLDERING MUST BE INSPECTED TO DISCOVER POSSIBLE COLD SOLDER JOINTS, SOLDER SPLASHES OR SHARP SOLDER POINTS. BE CERTAIN TO REMOVE ALL LOOSE FOREIGN PARTICLES.
4. CHECK FOR PHYSICAL EVIDENCE OF DAMAGE OR DETERIORATION TO PARTS AND COMPONENTS. FOR FRAYED LEADS, DAMAGED INSULATION (INCLUDING A.C. CORD), AND REPLACE IF NECESSARY FOLLOW ORIGINAL LAYOUT, LEAD LENGTH AND DRESS.
5. NO LEAD OR COMPONENT SHOULD TOUCH A RECEIVING TUBE OR A RESISTOR RATED AT 1 WATT OR MORE. LEAD TENSION AROUND PROTRUDING METAL SURFACES MUST BE AVOIDED.
6. ALL CRITICAL COMPONENTS SUCH AS FUSES, FLAMEPROOF RESISTORS, CAPACITORS, ETC. MUST BE REPLACED WITH EXACT FACTORY TYPES, DO NOT USE REPLACEMENT COMPONENTS OTHER THAN THOSE SPECIFIED OR MAKE UNRECOMMENDED CIRCUIT MODIFICATIONS.
7. AFTER RE-ASSEMBLY OF THE SET ALWAYS PERFORM AN A.C. LEAKAGE TEST ON ALL EXPOSED METALLIC PARTS OF THE CABINET, (THE CHANNEL SELECTOR KNOB, ANTENNA TERMINALS, HANDLE AND SCREWS) TO BE SURE THE SET IS SAFE TO OPERATE WITHOUT DANGER OF ELECTRICAL SHOCK. DO NOT USE A LINE ISOLATION TRANSFORMER DURING THIS TEST USE AN A.C. VOLT-METER, HAVING 5000 OHMS PER VOLT OR MORE SENSITIVITY, IN THE FOLLOWING MANNER; CONNECT A 1500 OHM 10 WATT RESISTOR, PARALLELED BY A .15 MFD. 150.V A.C TYPE CAPACITOR BETWEEN A KNOWN GOOD EARTH GROUND (WATER PIPE, CONDUIT, ETC.) AND THE EXPOSED METALLIC PARTS, ONE AT A TIME. MEASURE THE A.C. VOLTAGE ACROSS THE COMBINATION OF 1500 OHM RESISTOR AND .15 MFD CAPACITOR. REVERSE THE A.C. PLUG AND REPEAT A.C. VOLTAGE MEASUREMENTS FOR EACH EXPOSED METALLIC PART. VOLTAGE MEASURED MUST NOT EXCEED 75 VOLTS R.M.S. THIS CORRESPONDS TO 0.5 MILLIAMPS A.C ANY VALUE EXCEEDING THIS LIMIT CONSTITUTES A POTENTIAL SHOCK HAZARD AND MUST BE CORRECTED IMMEDIATELY.



### SUBJECT: GRAPHIC SYMBOLS



THE LIGHTNING FLASH WITH ARROWHEAD SYMBOL, WITHIN AN EQUILATERAL TRIANGLE, IS INTENDED TO ALERT THE SERVICE PERSONNEL TO THE PRESENCE OF UNINSULATED "DANGEROUS VOLTAGE" THAT MAY BE OF SUFFICIENT MAGNITUDE TO CONSTITUTE A RISK OF ELECTRIC SHOCK.



THE EXCLAMATION POINT WITHIN AN EQUILATERAL TRIANGLE IS INTENDED TO ALERT THE SERVICE PERSONNEL TO THE PRESENCE OF IMPORTANT SAFETY INFORMATION IN SERVICE LITERATURE.

### SUBJECT : X-RADIATION

1. BE SURE PROCEDURES AND INSTRUCTIONS TO ALL SERVICE PERSONNEL COVER THE SUBJECT OF X-RADIATION. THE ONLY POTENTIAL SOURCE OF X-RAYS IN CURRENT T.V. RECEIVERS IS THE PICTURE TUBE. HOWEVER, THIS TUBE DOES NOT EMIT X-RAYS WHEN THE HIGH VOLTAGE IS AT THE FACTORY SPECIFIED LEVEL. THE PROPER VALUE IS GIVEN IN THE APPLICABLE SCHEMATIC. OPERATION AT HIGHER VOLTAGES MAY CAUSE A FAILURE OF THE PICTURE TUBE OR HIGH VOLTAGE SUPPLY AND, UNDER CERTAIN CIRCUMSTANCES, MAY PRODUCE RADIATION IN EXCESS OF DESIRABLE LEVELS.
2. ONLY FACTORY SPECIFIED C.R.T. ANODE CONNECTORS MUST BE USED. DEGAUSSING SHIELDS ALSO SERVE AS X-RAY SHIELD IN COLOR SETS, ALWAYS RE-INSTALL THEM.
3. IT IS ESSENTIAL THAT SERVICE PERSONNEL HAVE AVAILABLE AN ACCURATE AND RELIABLE HIGH VOLTAGE METER. THE CALIBRATION OF THE METER SHOULD BE CHECKED PERIODICALLY AGAINST A REFERENCE STANDARD, SUCH AS THE ONE AVAILABLE AT YOUR DISTRIBUTOR.
4. WHEN THE HIGH VOLTAGE CIRCUITRY IS OPERATING PROPERLY THERE IS NO POSSIBILITY OF AN X-RADIATION PROBLEM. EVERY TIME A COLOR CHASSIS IS SERVICED, THE BRIGHTNESS SHOULD BE RUN UP AND DOWN WHILE MONITORING THE HIGH VOLTAGE WITH A METER TO BE CERTAIN THAT THE HIGH VOLTAGE DOES NOT EXCEED THE SPECIFIED VALUE AND THAT IT IS REGULATING CORRECTLY. WE SUGGEST THAT YOU AND YOUR SERVICE ORGANIZATION REVIEW TEST PROCEDURES SO THAT VOLTAGE REGULATION IS ALWAYS CHECKED AS A STANDARD SERVICING PROCEDURE. AND THAT THE HIGH VOLTAGE READING BE RECORDED ON EACH CUSTOMER'S INVOICE.
5. WHEN TROUBLESHOOTING AND MAKING TEST MEASUREMENTS IN A PRODUCT WITH A PROBLEM OF EXCESSIVE HIGH VOLTAGE, AVOID BEING UNNECESSARILY CLOSE TO THE PICTURE TUBE AND THE HIGH VOLTAGE SUPPLY. DO NOT OPERATE THE PRODUCT LONGER THAN IS NECESSARY TO LOCATE THE CAUSE OF EXCESSIVE VOLTAGE.
6. REFER TO HV, B+ AND SHUTDOWN ADJUSTMENT PROCEDURES DESCRIBED IN THE APPROPRIATE SCHEMATIC AND DIAGRAMS (WHERE USED).

### SUBJECT: IMPLOSION

1. ALL DIRECT VIEWED PICTURE TUBES ARE EQUIPPED WITH AN INTEGRAL IMPLOSION PROTECTION SYSTEM, BUT CARE SHOULD BE TAKEN TO AVOID DAMAGE DURING INSTALLATION, AVOID SCRATCHING THE TUBE. IF SCRATCHED REPLACE IT.
2. USE ONLY RECOMMENDED FACTORY REPLACEMENT TUBES.

### SUBJECT : TIPS ON PROPER INSTALLATION

1. NEVER INSTALL ANY PRODUCT IN A CLOSED-IN RECESS, CUBBY-HOLE OR CLOSELY FITTING SHELF SPACE. OVER OR CLOSE TO HEAT DUCT, OR IN THE PATH OF HEATED AIR FLOW.
2. AVOID CONDITIONS OF HIGH HUMIDITY SUCH AS: OUTDOOR PATIO INSTALLATIONS WHERE DEW IS A FACTOR, NEAR STEAM RADIATORS WHERE STEAM LEAKAGE IS A FACTOR, ETC.
3. AVOID PALCEMENT WHERE DRAPERIES MAY OBSTRUCT REAR VENTING. THE CUSTOMER SHOULD ALSO AVOID THE USE OF DECORATIVE SCARVES OR OTHER COVERINGS WHICH MIGHT OBSTRUCT VENTILATION.
4. WALL AND SHELF MOUNTED INSTALLATIONS USING A COMMERCIAL MOUNTING KIT. MUST FOLLOW THE FACTORY APPROVED MOUNTING INSTRUCTIONS A PRODUCT MOUNTED TO A SHELF OR PLATFORM MUST RETAIN ITS ORIGINAL FEET (OR THE EQUIVALENT THICKNESS IN SPACERS) TO PROVIDE ADEQUATE AIR FLOW ACROSS THE BOTTOM, BOLTS OR SCREWS USED FOR FASTENERS MUST NOT TOUCH ANY PARTS OR WIRING. PERFORM LEAKAGE TEST ON CUSTOMIZED INSTALLATIONS.
5. CAUTION CUSTOMERS AGAINST THE MOUNTING OF A PRODUCT ON SLOPING SHELF OR A TILTED POSITION, UNLESS THE PRODUCT IS PROPERLY SECURED.
6. A PRODUCT ON A ROLL-ABOUT CART SHOULD BE STABLE ON ITS MOUNTING TO THE CART. CAUTION THE CUSTOMER ON THE HAZARDS OF TRYING TO ROLL A CART WITH SMALL CASTERS ACROSS THRESHOLDS OR DEEP PILE CARPETS.
7. CAUTION CUSTOMERS AGAINST THE USE OF A CART OR STAND WHICH HAS NOT BEEN LISTED BY UNDERWRITERS LABORATORIES, INC. FOR USE WITH THEIR SPECIFIC MODEL OF TELEVISION RECEIVER OR GENERALLY APPROVED FOR USE WITH T.V.'S OF THE SAME OR LARGER SCREEN SIZE.
8. CAUTION CUSTOMERS AGAINST THE USE OF EXTENSION CORDS, EXPLAIN THAT A FOREST OF EXTENSIONS SPROUTING FROM A SINGLE OUTLET CAN LEAD TO DISASTROUS CONSEQUENCES TO HOME AND FAMILY.

# SERVICING PRECAUTIONS

CAUTION : Before servicing the DVD covered by this service data and its supplements and addends, read and follow the *SAFETY PRECAUTIONS*. NOTE : if unforeseen circumstances create conflict between the following servicing precautions and any of the safety precautions in this publication, always follow the safety precautions.

*Remembers Safety First:*

## General Servicing Precautions

1. Always unplug the DVD AC power cord from the AC power source before:
  - (1) Removing or reinstalling any component, circuit board, module, or any other assembly.
  - (2) Disconnection or reconnecting any internal electrical plug or other electrical connection.
  - (3) Connecting a test substitute in parallel with an electrolytic capacitor.  
**Caution** : A wrong part substitution or incorrect polarity installation of electrolytic capacitors may result in an explosion hazard.
2. Do not spray chemicals on or near this DVD or any of its assemblies.
3. Unless specified otherwise in this service data, clean electrical contacts by applying an appropriate contact cleaning solution to the contacts with a pipe cleaner, cotton-tipped swab, or comparable soft applicator. Unless specified otherwise in this service data, lubrication of contacts is not required.
4. Do not defeat any plug/socket B+ voltage interlocks with which instruments covered by this service manual might be equipped.
5. Do not apply AC power to this DVD and/or any of its electrical assemblies unless all solid-state device heat sinks are correctly installed.
6. Always connect test instrument ground lead to the appropriate ground before connection the test instrument positive lead. Always remove the test instrument ground lead last.

## Insulation Checking Procedure

Disconnect the attachment plug from the AC outlet and turn the power on. Connect an insulation resistance meter(500V) to the blades of the attachment plug. The insulation resistance between each blade of the attachment plug and accessible conductive parts (Note 1) should be more than 1M-ohm.

**Note 1** : Accessible Conductive Parts including Metal panels, Input terminals, Earphone jacks, etc.

## Electrostatically Sensitive (ES) Devices

Some semiconductor (solid state) devices can be damaged easily by static electricity. Such components commonly are called Electrostatically Sensitive (ES) Devices. Examples of typical ES devices are integrated circuits and some field effect transistors and semiconductor chip components.

The following techniques should be used to help reduce the incidence of component damage caused by static electricity.

1. Immediately before handling any semiconductor component or semiconductor-equipped assembly, drain off any electrostatic charge on your body by touching a known earth ground. Alternatively, obtain and wear a commercially available discharging wrist strap device, which should be removed for potential shock reasons prior to applying power to the unit under test.
2. After removing an electrical assembly equipped with ES devices, place the assembly on a conductive surface such as aluminum foil, to prevent electrostatic charge buildup or exposure of the assembly.
3. Use only a grounded-tip soldering iron to solder or unsolder ES devices.
4. Use only an anti-static solder removal device. Some solder removal devices not classified a "anti-static" can generate electrical charges sufficient to damage ES devices.
5. Do not use freon-propelled chemicals. These can generate electrical charge sufficient to damage ES devices.
6. Do not remove a replacement ES device from its protective package until immediately before you are ready to install it. (Most replacement ES devices are packaged with leads electrically shorted together by conductive foam, aluminum foil, or comparable conductive material).
7. Immediately before removing the protective material from the leads of a replacement ES device, touch the protective material to the chassis or circuit assembly into which the device will be installed.

Caution : Be sure no power is applied to the chassis or circuit, and observe all other safety precautions.

8. Minimize bodily motions when handling unpackaged replacement ES devices. (Normally harmless motion such as the brushing together of your clothes fabric or the lifting of your foot from a carpeted floor can generate static electricity sufficient to damage an ES device.)

# SPECIFICATIONS

## • GENERAL

Power requirements	AC 120V, 60Hz(T533AH/T513AH), AC 110~240V, 50/60Hz(T533CT/T533C/T513CT/T513C)
Power consumption	14W
Dimensions(approx.)	430 x 69 x 230mm (16.9 x 2.4 x 9.5 inches) (W/h/d)
Mass(approx.)	2.4kg (5.3 lbs)
Operating temperature	5°C to 35°C (41°F to 95°F)
Operating humidity	5% to 9%

## • SYSTEM

Laser	Semiconductor laser, wavelength 650nm
Signal system	NTSC, PAL
Frequency response	DVD (PCM 96kHz): 2Hz to 44kHz DVD (PCM 48kHz): 2Hz to 22kHz CD: 2Hz to 20kHz
Signal-to-noise ratio	More than 100dB (ANALOG OUT connectors only)
Harmonic distortion	Less than 0.008%
Dynamic range	More than 100dB(DVD) More than 95dB(CD)

## • OUTPUTS

VIDEO OUTPUTS	1V p-p, 75 Ω, sync negative, RCA jack x 1
S-V IDEO OUTPUTS	(Y)1.0V(p-p), 75Ω, negative sync., Mini DIN 4-pin x 1 (C)0.3V(p-p), 75Ω
COMPONENT VIDEO OUT	(Y)1.0V(p-p), 75Ω, negative sync., RCA jack x 1 (Pb)/(Pr)0.7V(p-p), 75Ω, RCA jack x 2
Audio output(digital audio)	0.5V(p-p), 75Ω, RCA jack X 1
Audio output(optical audio)	5V (p-p), 75Ω, Optical connector x 1
Audio output(analog audio)	2.0Vrms (1kHz, 0dB), 600Ω, RCA jack (L, R) x 1

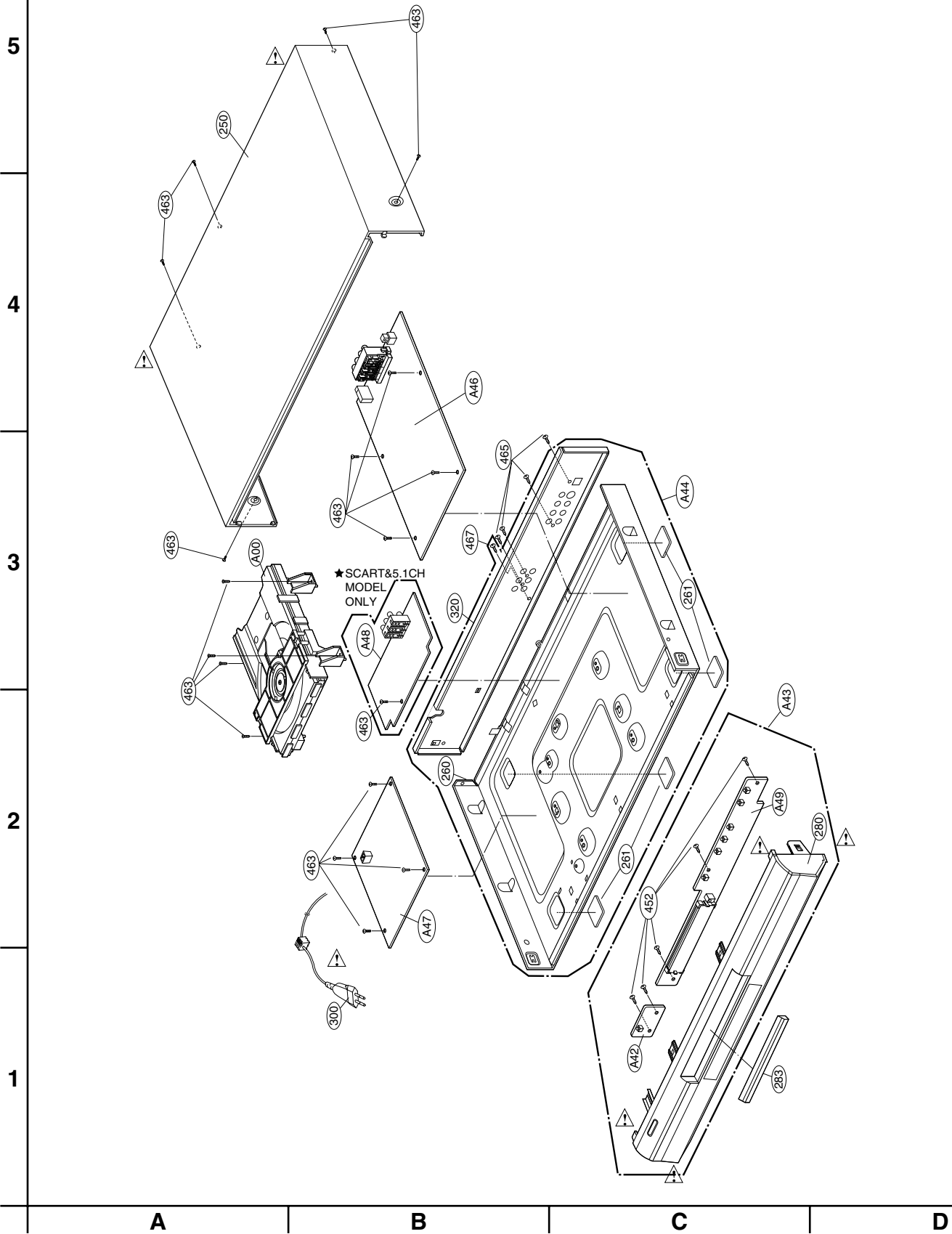
**SECTION 2**  
**CABINET & MAIN CHASSIS**

**CONTENTS**

**1. EXPLODED VIEWS .....2-2**  
    **1. Cabinet and Main Frame Section .....2-2**  
    **2. Packing Accessory Section .....2-3**

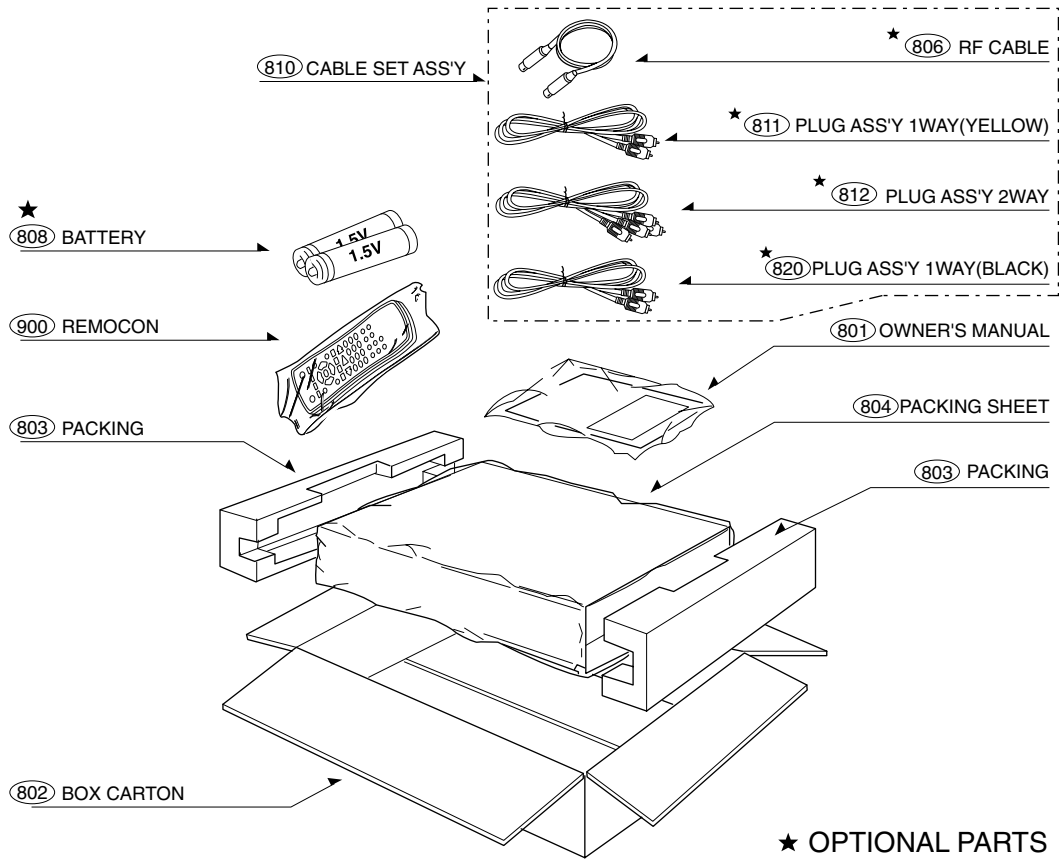
# EXPLODED VIEWS

## 1. Cabinet and Main Frame Section





## 2. Packing Accessory Section

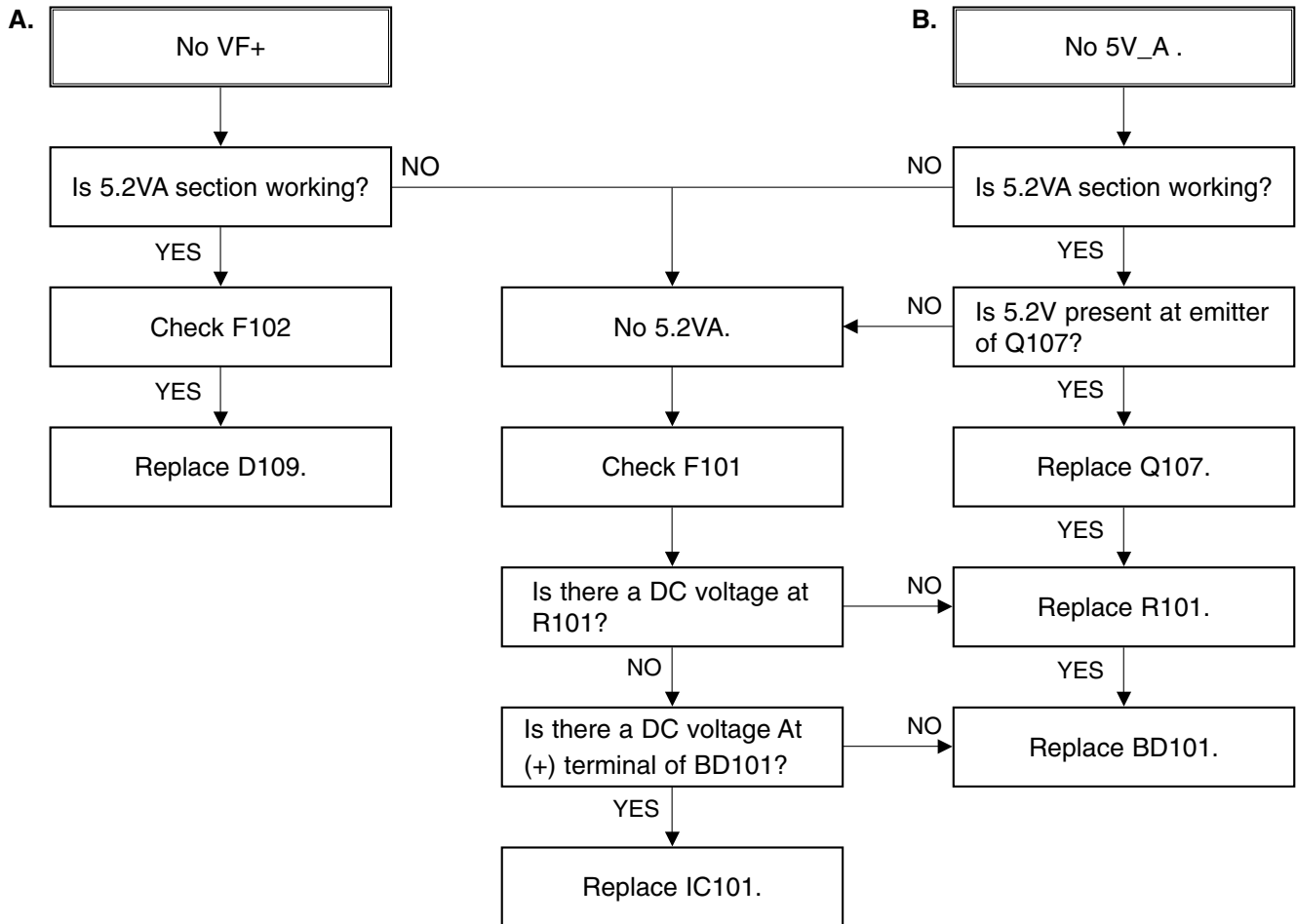


# SECTION 3 ELECTRICAL CONTENTS

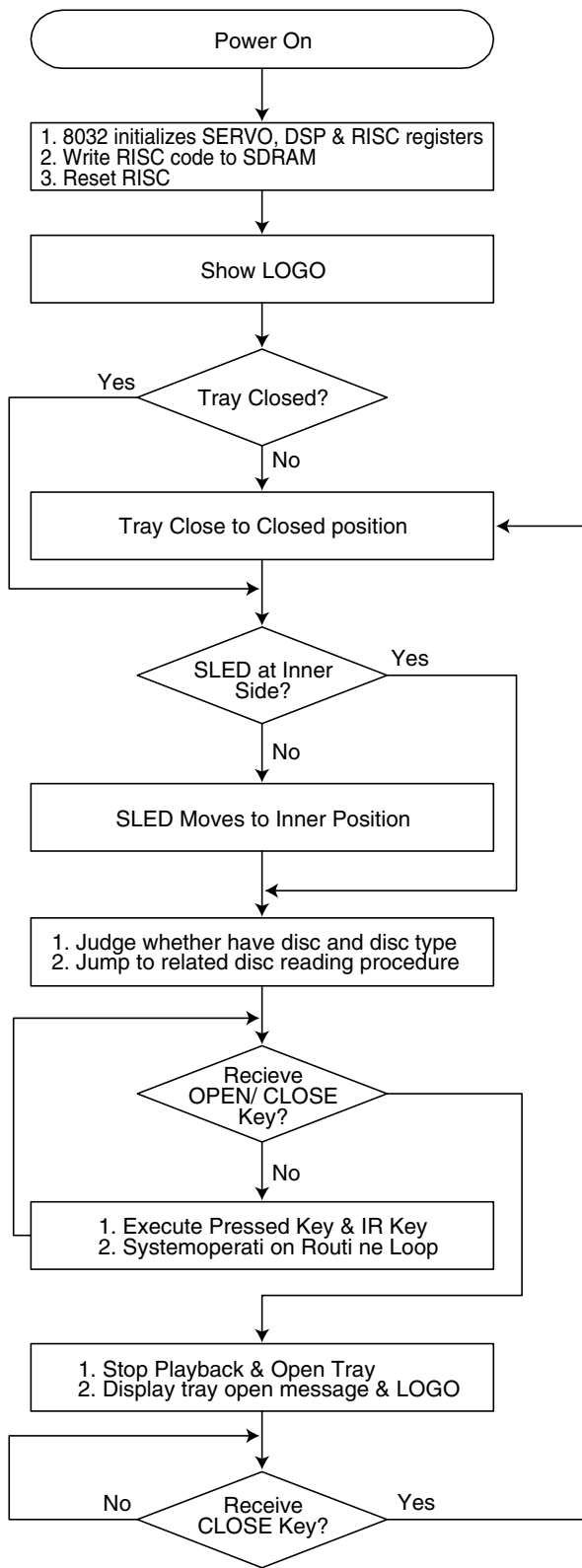
<b>ELECTRICAL TROUBLESHOOTING GUIDE.....</b>	<b>3-2</b>
1. Power check flow.....	3-2
2. System operation flow .....	3-3
3. Test & debug flow .....	3-4
<b>DETAILS AND WAVEFORMS ON SYSTEM TEST AND DEBUGGING.....</b>	<b>3-10</b>
1. SYSTEM 27MHz CLOCK,RESET,FLASH R/W SIGNAL .....	3-10
2. SDRAM CLOCK.....	3-12
3. TRAY OPEN/CLOSE SIGNAL .....	3-12
4. SLED CONTROL RELATED SIGNAL (NO DISC CONDITION) .....	3-14
5. LENS CONTROL RELATED SIGNAL(NO DISC CONDITION) .....	3-14
6. LASER POWER CONTROL RELATED SIGNAL(NO DISC CONDITION).....	3-15
7. DISC TYPE JUDGEMENT WAVEFORM .....	3-15
8. FOCUS ON WAVEFORM.....	3-17
9. SPINDLE CONTROL WAVEFORM (NO DISC CONDITION).....	3-18
10. TRACKING CONTROL RELATED SIGNAL(System checking).....	3-19
11. RF WAVEFORM .....	3-20
12. MT1379 AUDIO OPTICAL AND COAXIAL OUTPUT (ASPDIF).....	3-20
13. MT1379 VIDEO OUTPUT WAVEFORM.....	3-21
14. AUDIO OUTPUT FROM AUDIO DAC .....	3-22
<b>BLOCK DIAGRAMS .....</b>	<b>3-24</b>
1. Overall Block Diagram .....	3-24
2. Power(SMPS) Block Diagram .....	3-25
3. SERVO Block Diagram .....	3-26
4. MPEG & MEMORY Block Diagram .....	3-27
5. VIDEO & AUDIO Block Diagram .....	3-28
<b>CIRCUIT DIAGRAMS.....</b>	<b>3-29</b>
1. Power(SMPS) Circuit DIAGRAM.....	3-29
2. SYSTEM Circuit DIAGRAM .....	3-31
3. RF & SERVO Circuit DIAGRAM .....	3-33
4. TIMER, 5.1CH, SCART, KARAOKE Circuit DIAGRAM .....	3-35
5. AV/JACK Circuit DIAGRAM.....	3-37
• CIRCUIT VOLTAGE CHART .....	3-39
<b>PRINTED CIRCUIT DIAGRAMS .....</b>	<b>3-43</b>
1. MAIN P.C.BOARD .....	3-43
2. KEY P.C.BOARD .....	3-45
3. TIMER P.C.BOARD .....	3-45
4. SMPS P.C.BOARD.....	3-47
5. 5.1CH P.C.BOARD .....	3-48

# ELECTRICAL TROUBLESHOOTING GUIDE

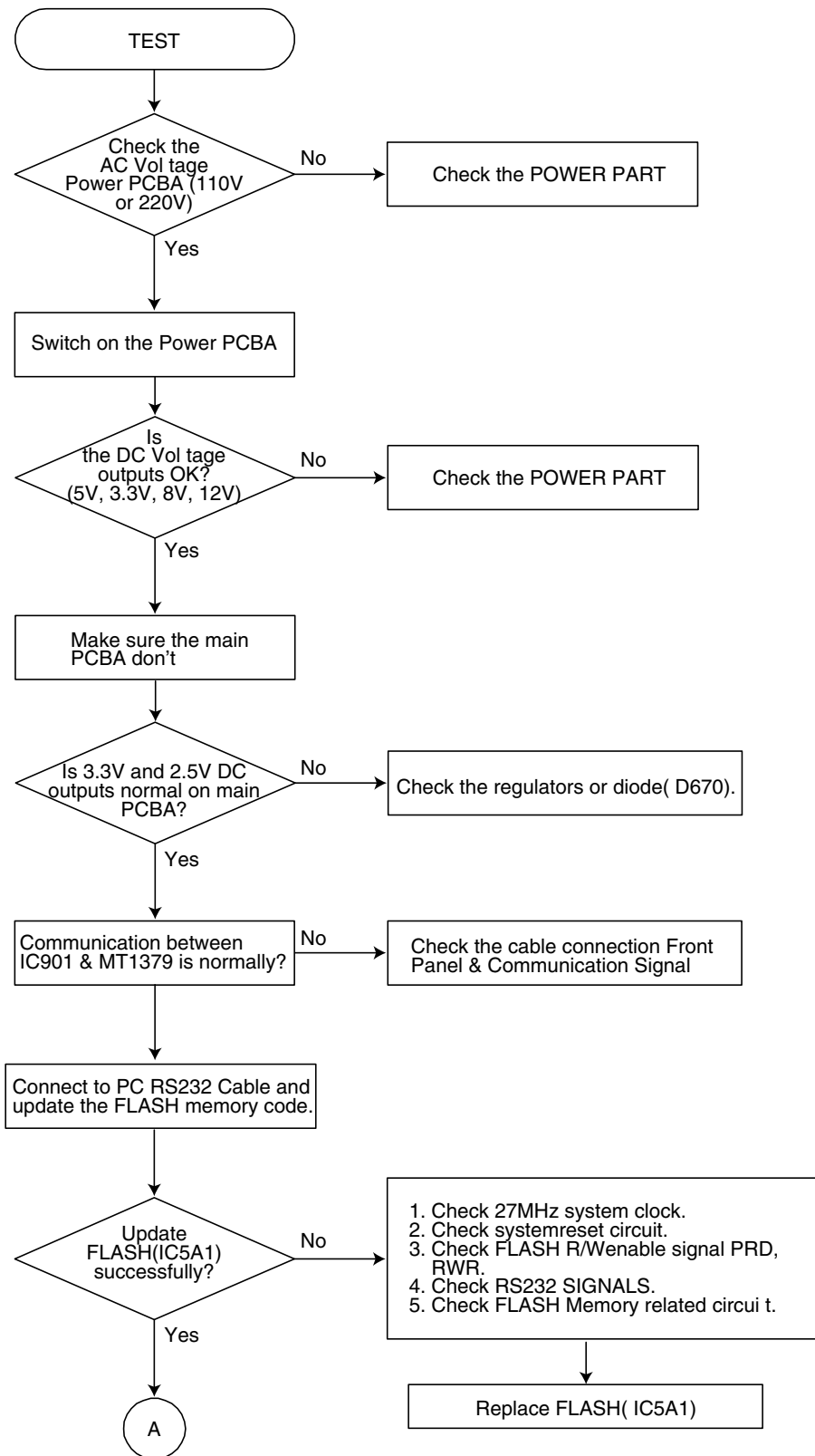
## 1. Power check flow

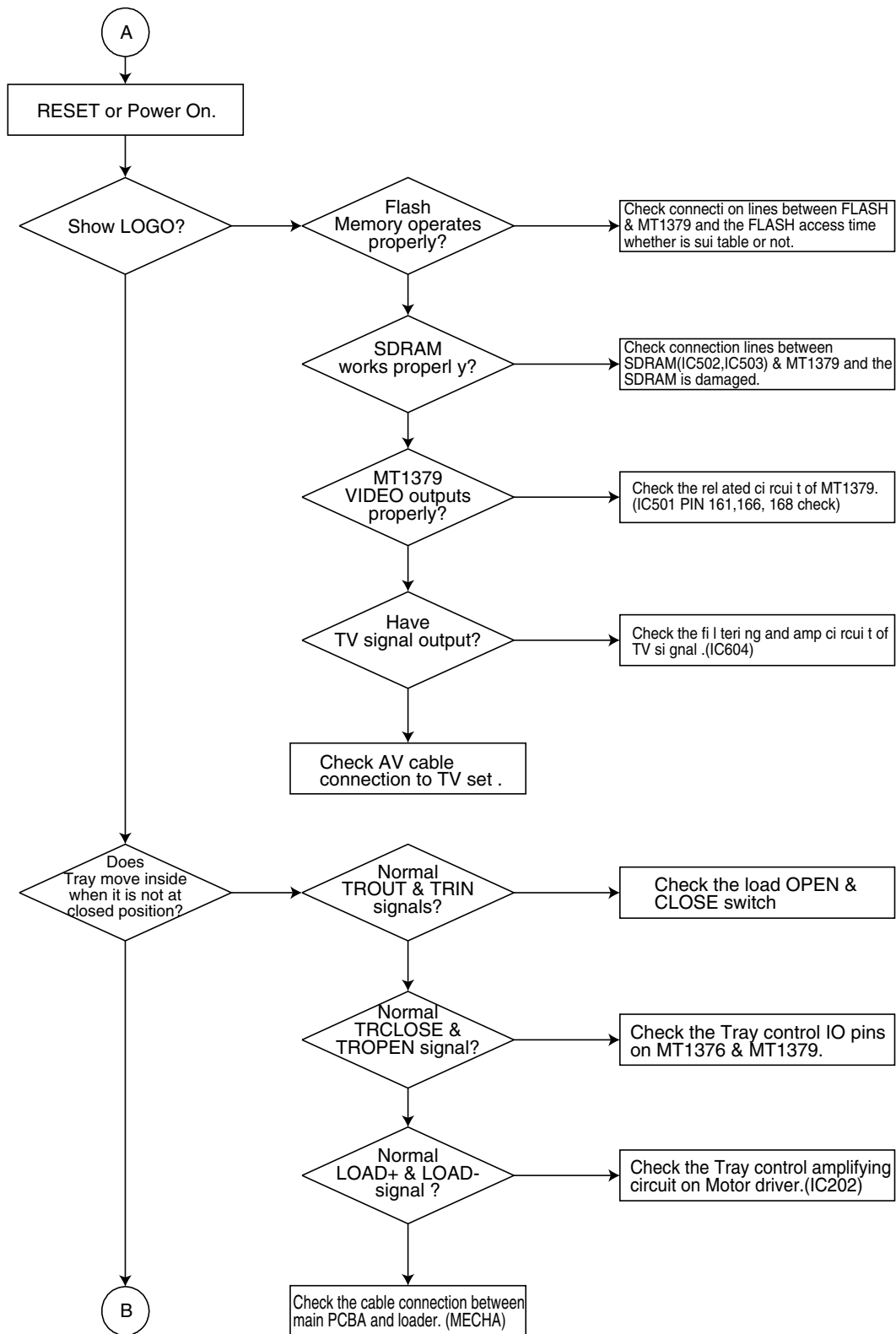


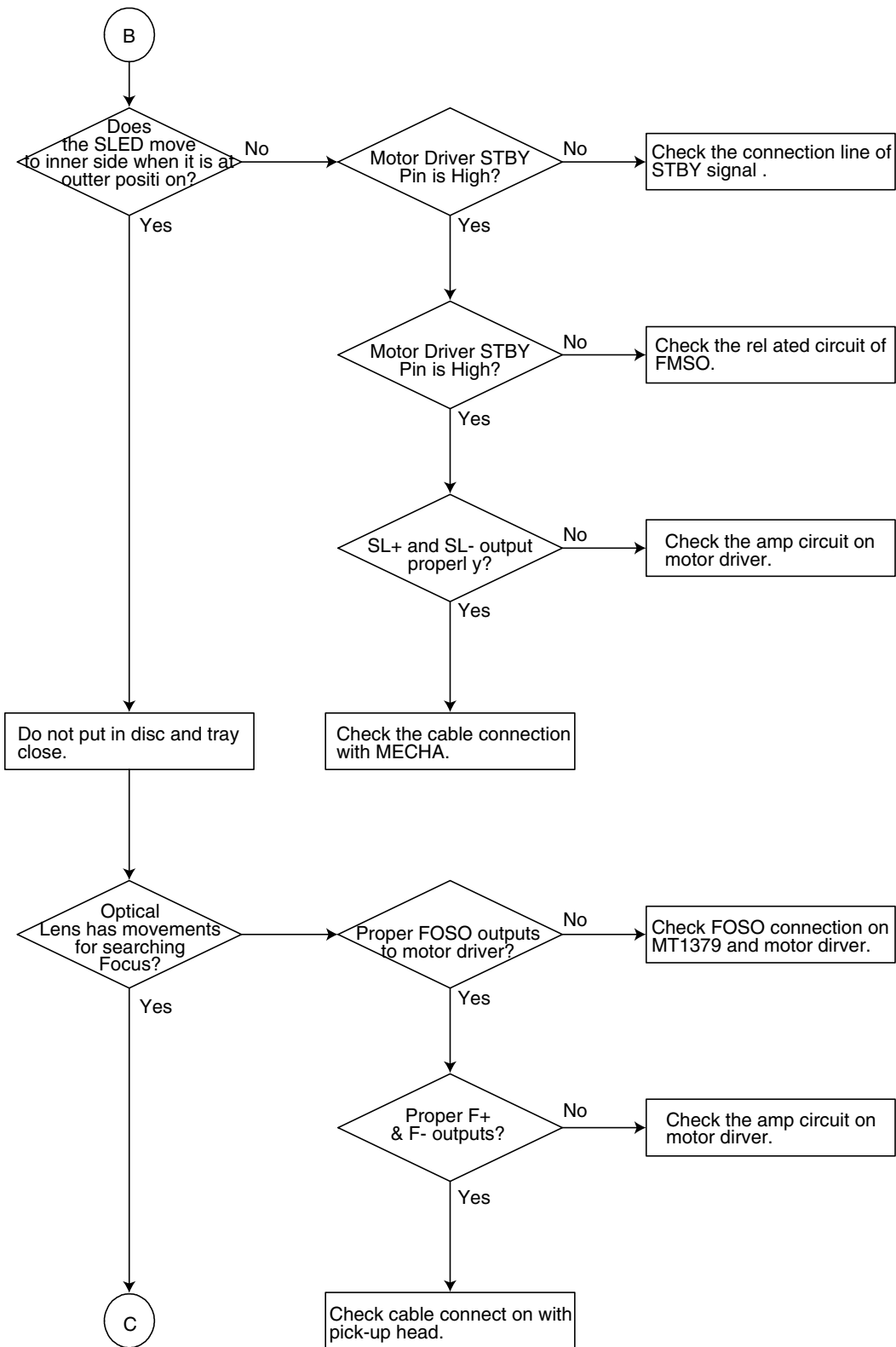
## 2. System operation flow

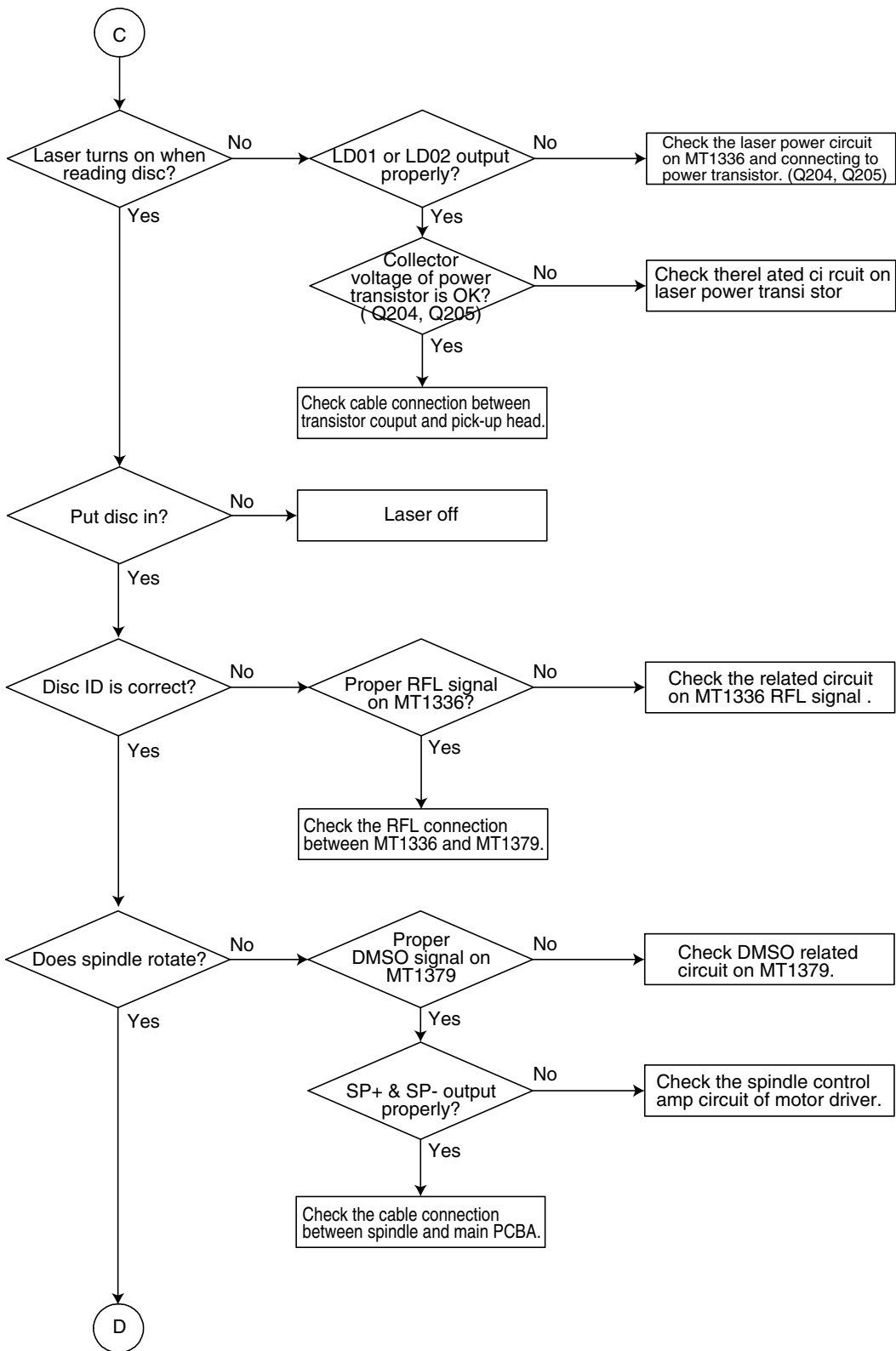


### 3. Test & debug flow

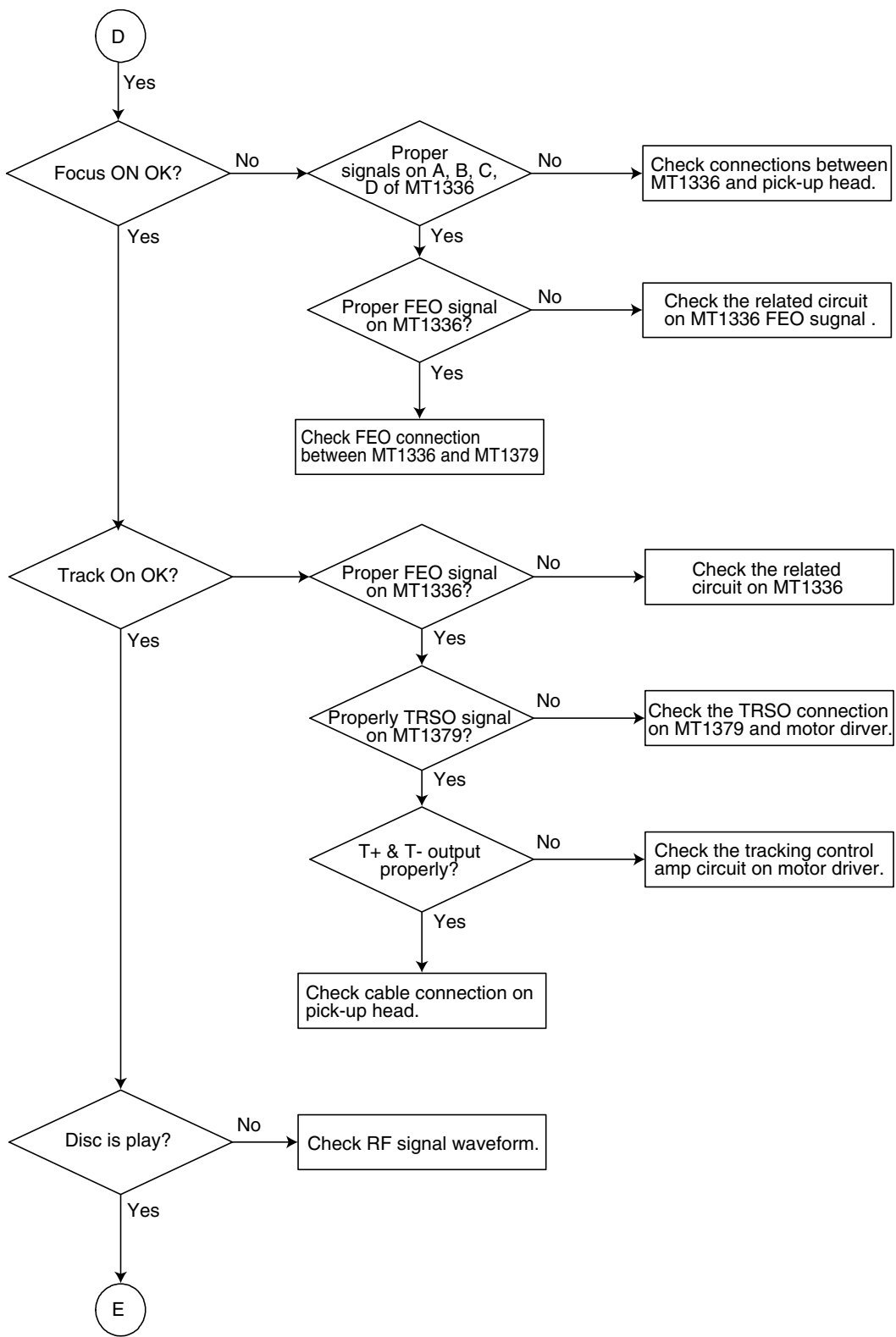


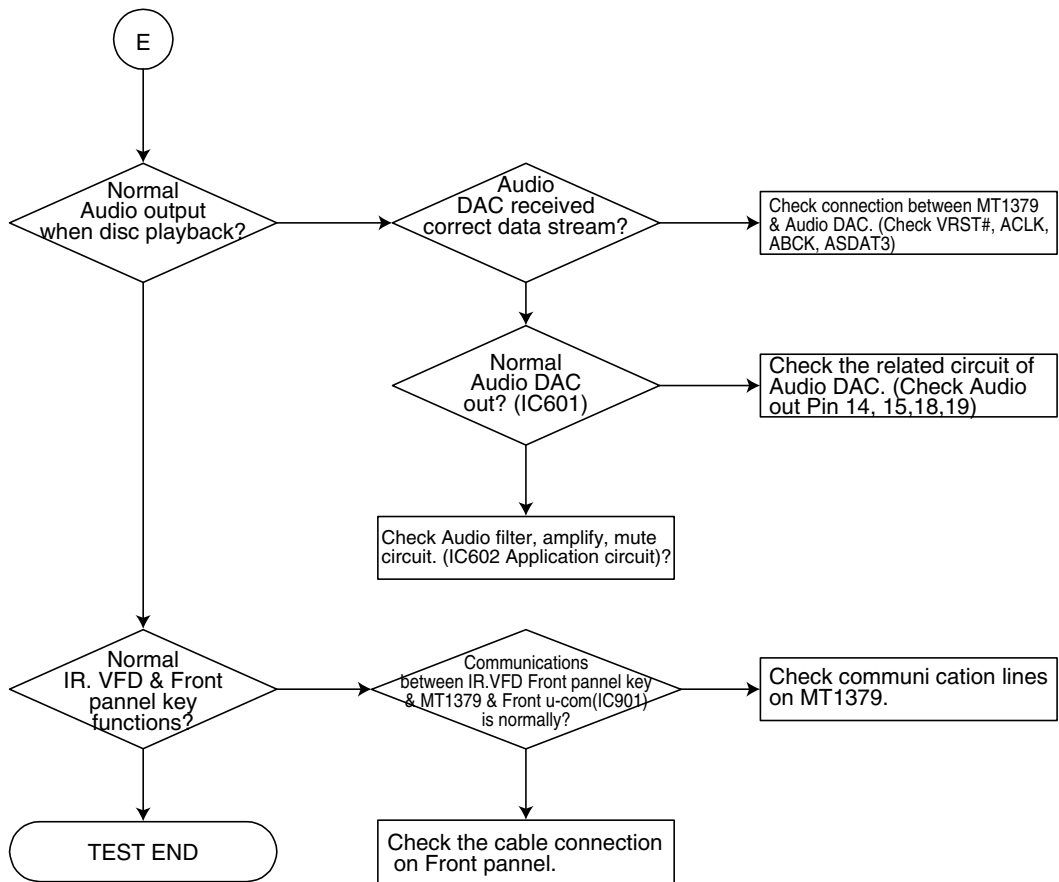












# DETAILS AND WAVEFORMS ON SYSTEM TEST AND DEBUGGING

## 1. SYSTEM 27MHz CLOCK,RESET,FLASH R/W SIGNAL

### 1) MT1379 main clock is at 27MHz(X501)

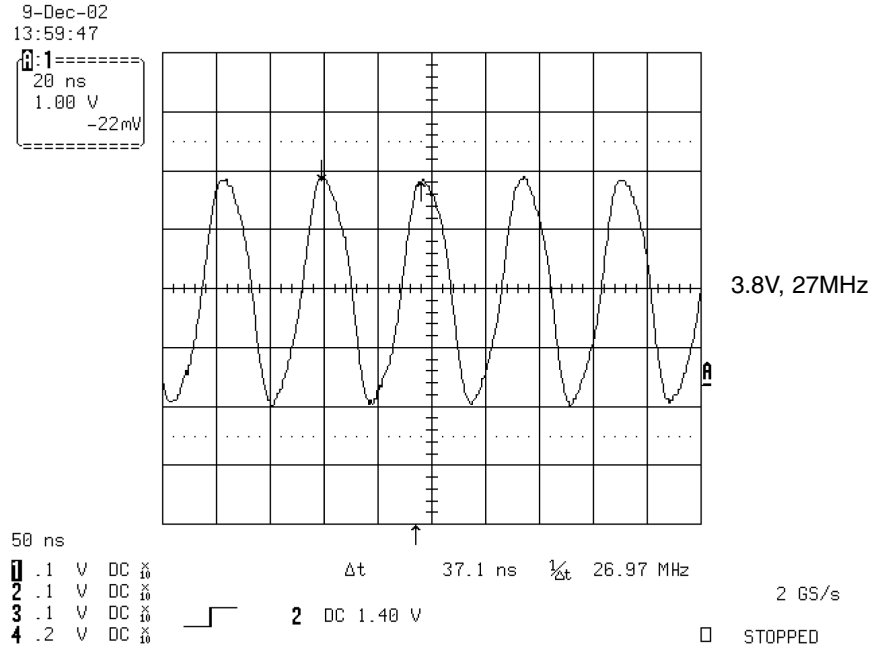


FIG 1-1

### 2) MT1379 & MT1336 reset is high active.

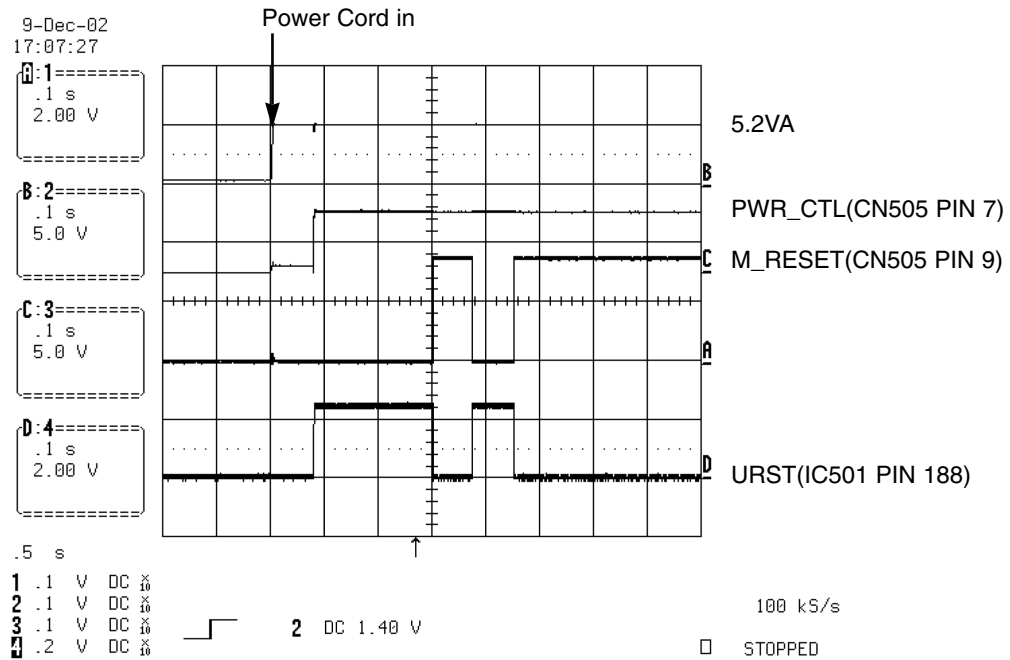


FIG 1-2

### 3) RS232 waveform during procedure(Downloading)

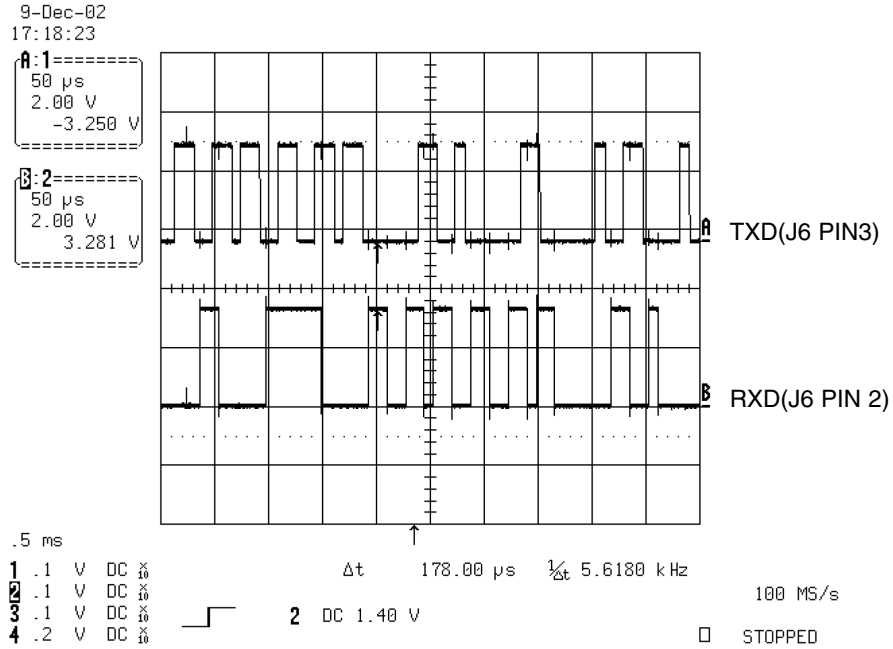


FIG 1-3

### 4) Flash R/W enable signal during download(Downloading)

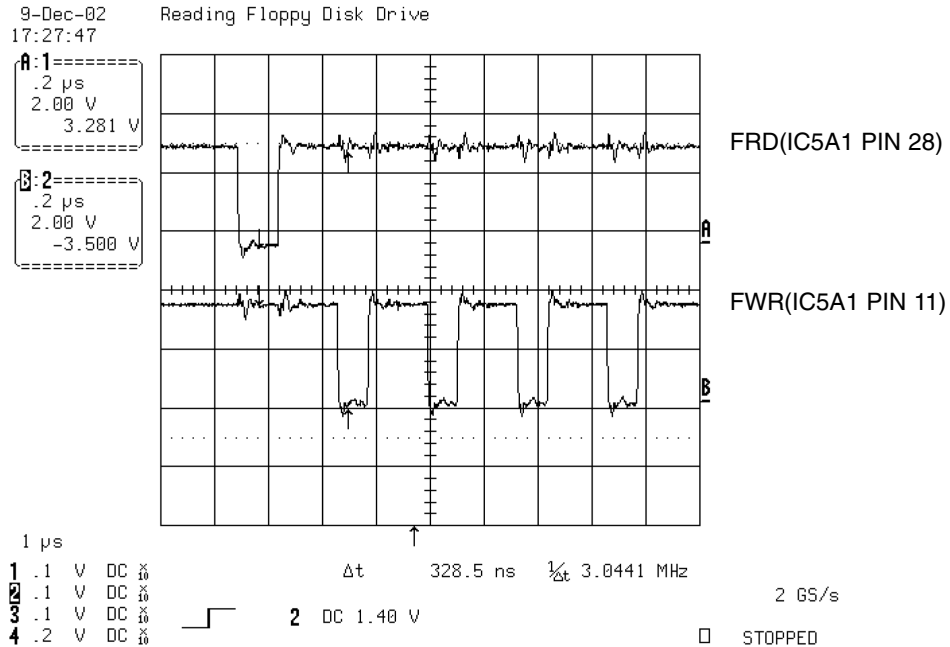


FIG 1-4

## 2. SDRAM CLOCK

### 1) MT1379 main clock is at 27MHz(X501)

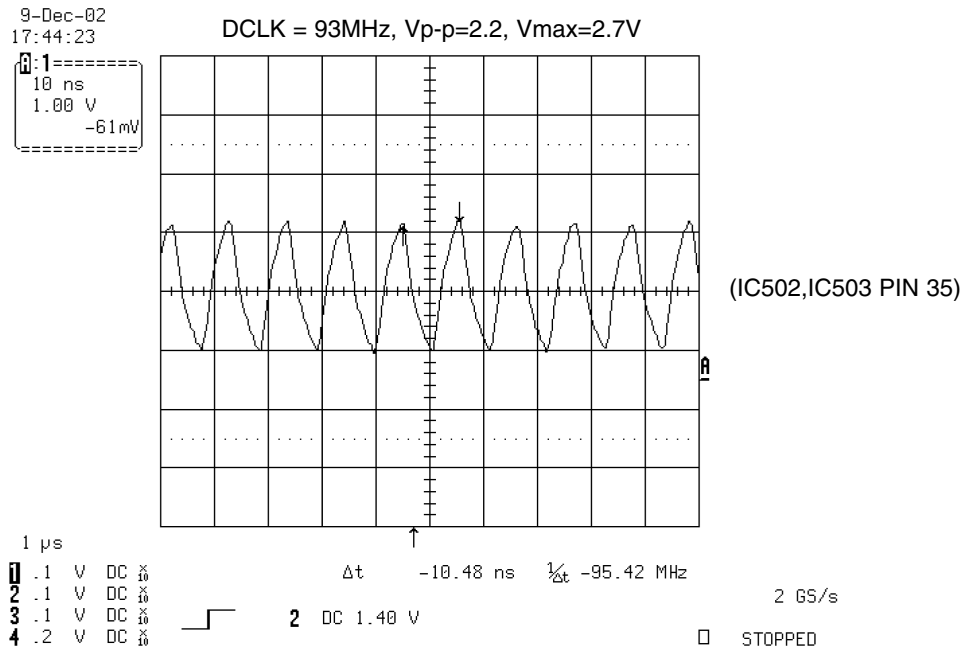


FIG 2-1

## 3. TRAY OPEN/CLOSE SIGNAL

### 1) Tray open/close waveform

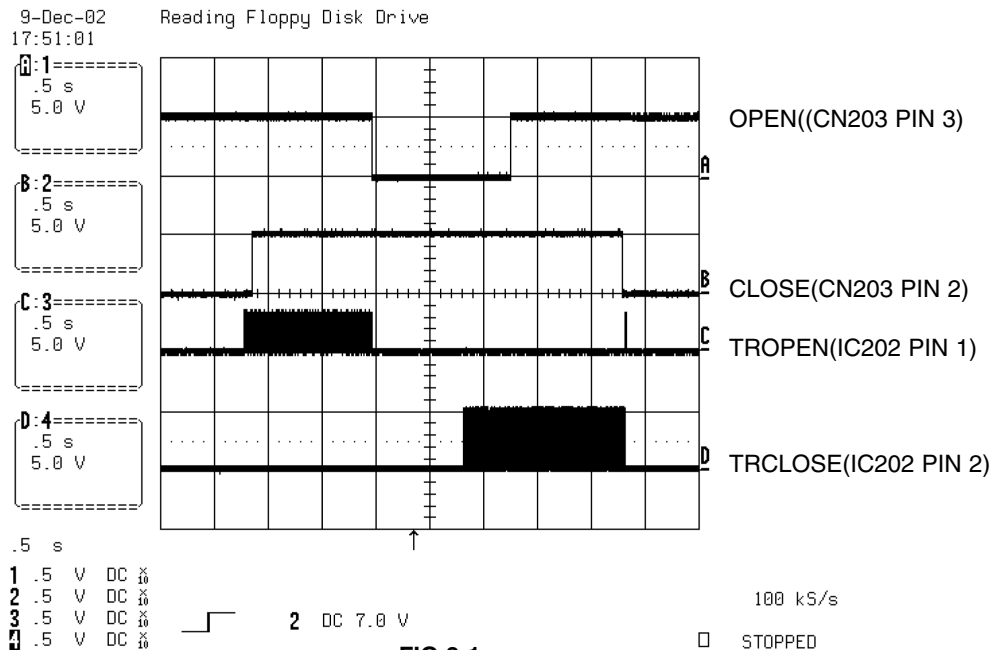


FIG 3-1

## 2) Tray close waveform

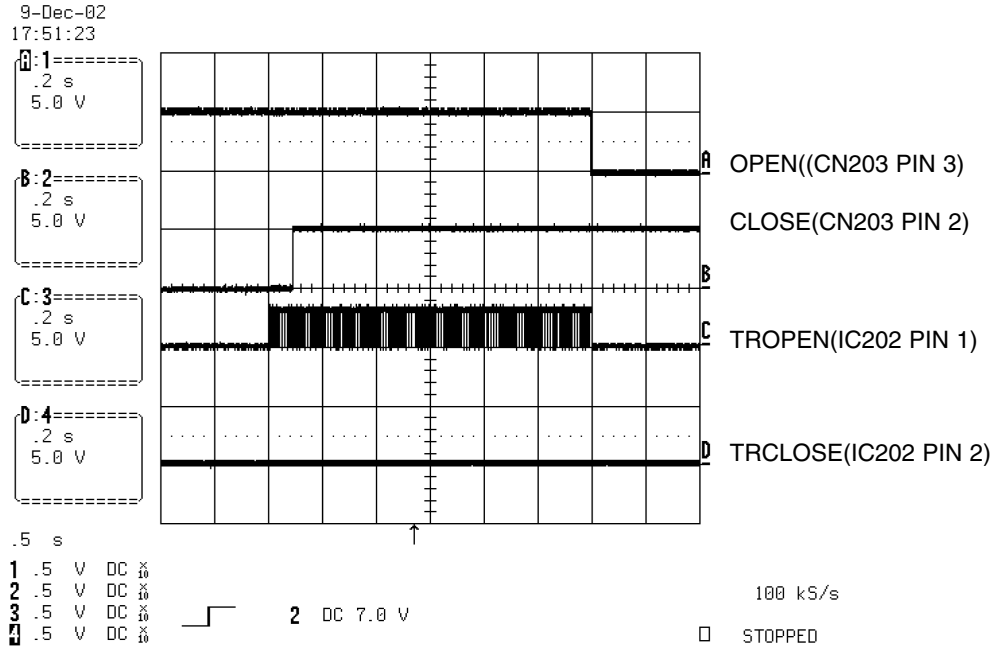


FIG 3-2

## 3) Tray open waveform

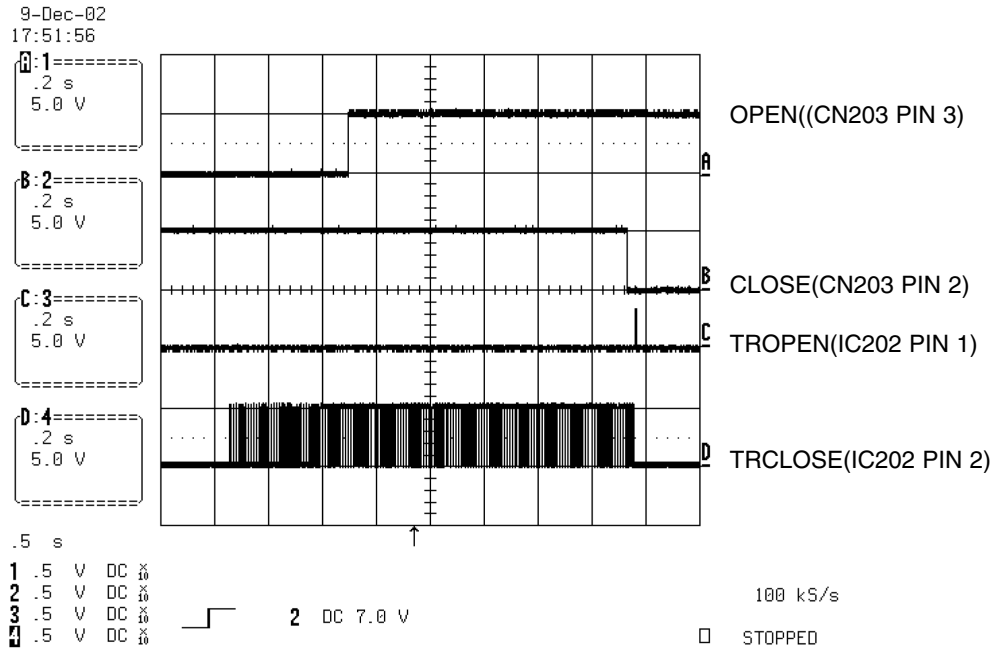


FIG 3-3

#### 4. SLED CONTROL RELATED SIGNAL (NO DISC CONDITION)

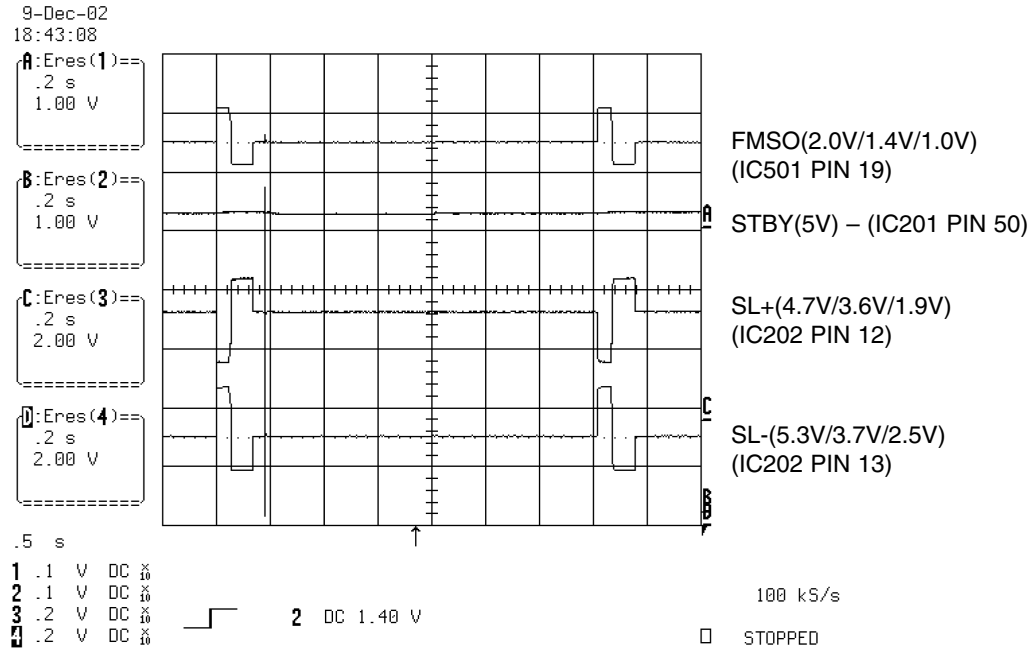


FIG 4-1

#### 5. LENS CONTROL RELATED SIGNAL(NO DISC CONDITION)

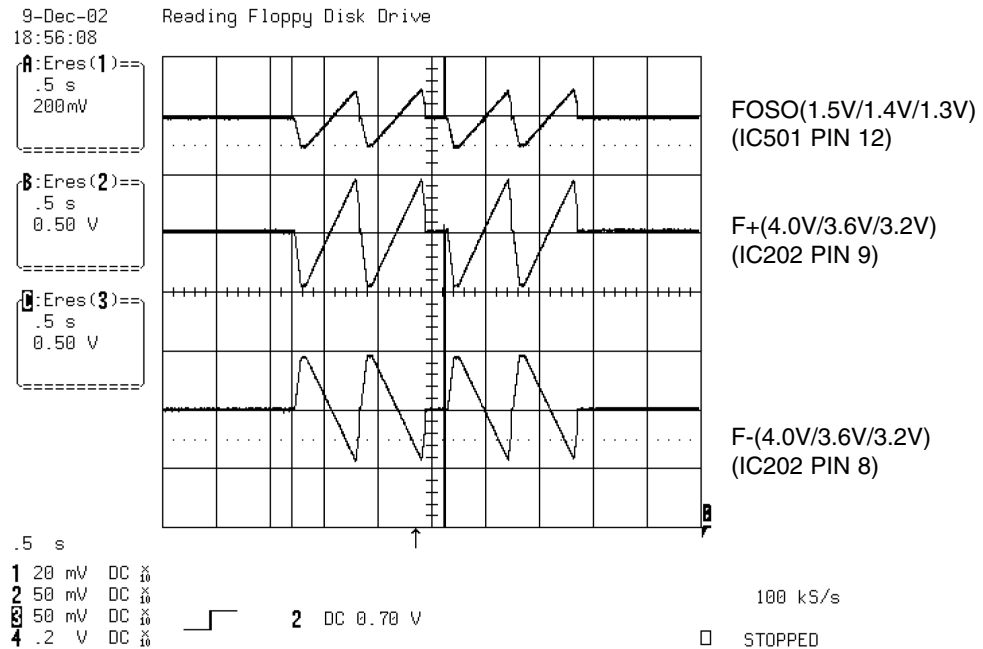


FIG 5-1

## 6. LASER POWER CONTROL RELATED SIGNAL(NO DISC CONDITION)

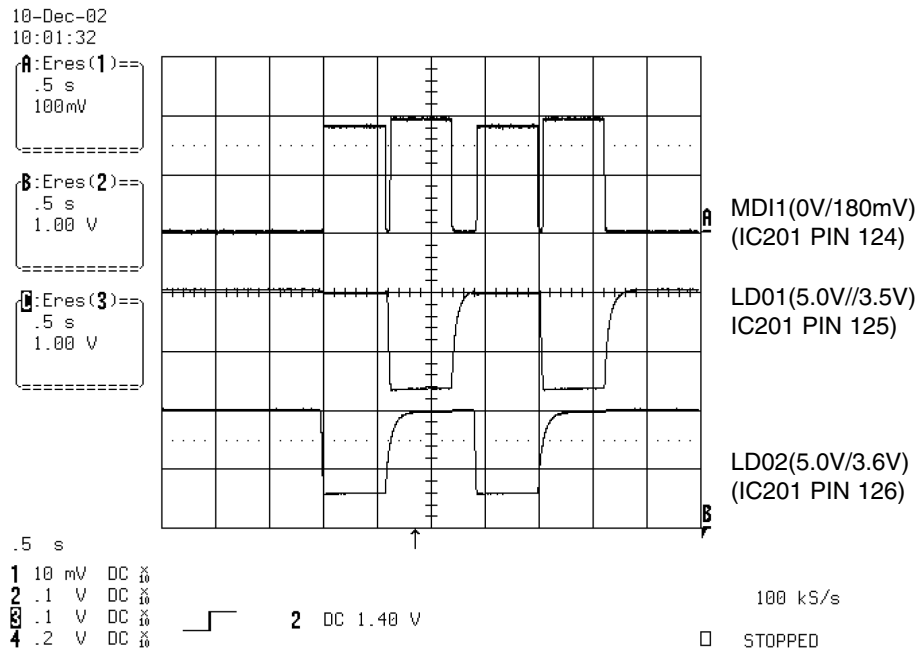


FIG 6-1

## 7. DISC TYPE JUDGEMENT WAVEFORM

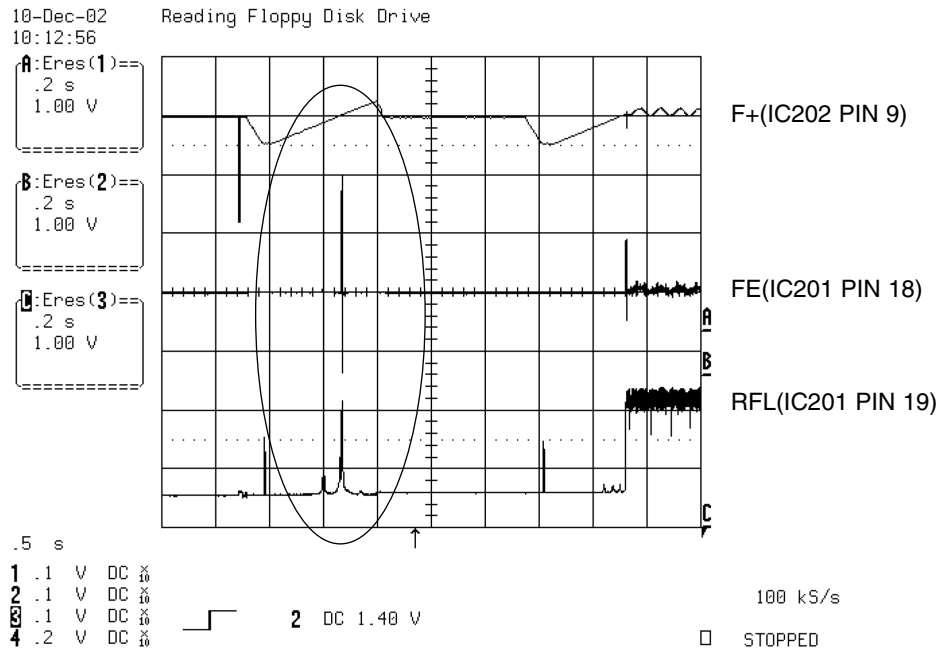


FIG 7-1 (DVD)



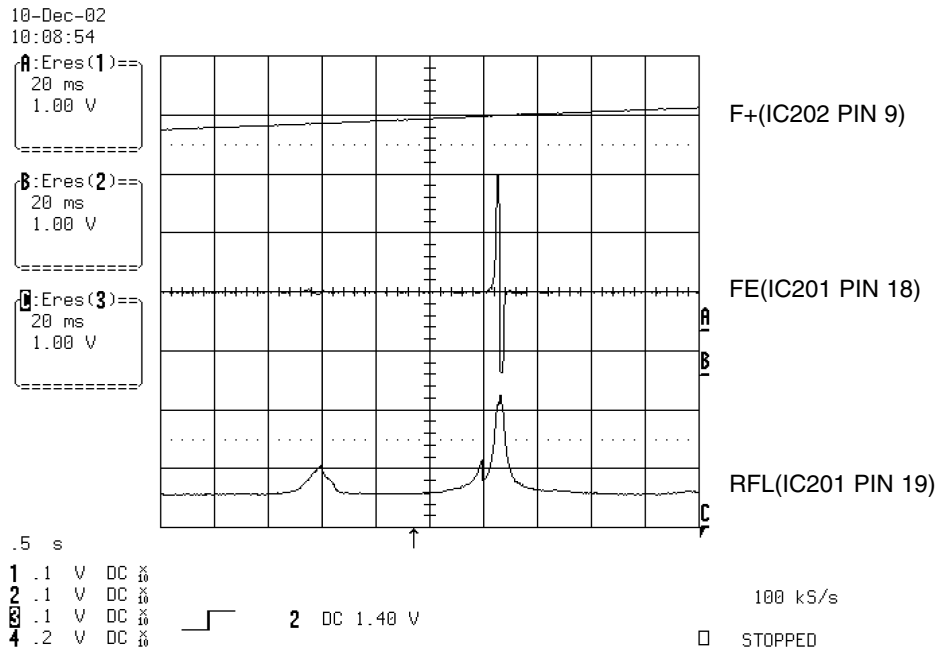


FIG 7-2 (DVD)

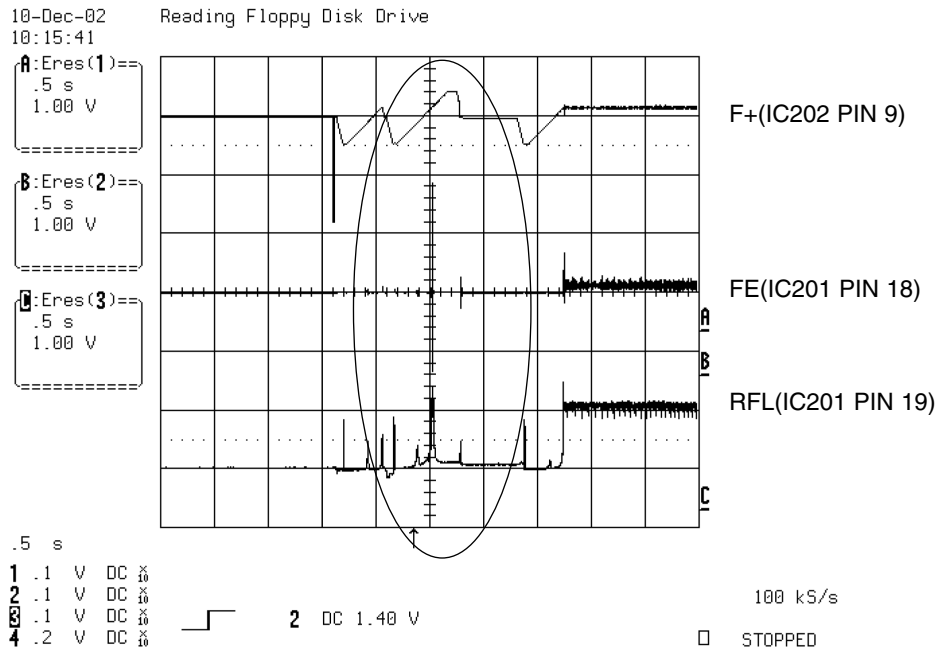


FIG 7-3 (CD)

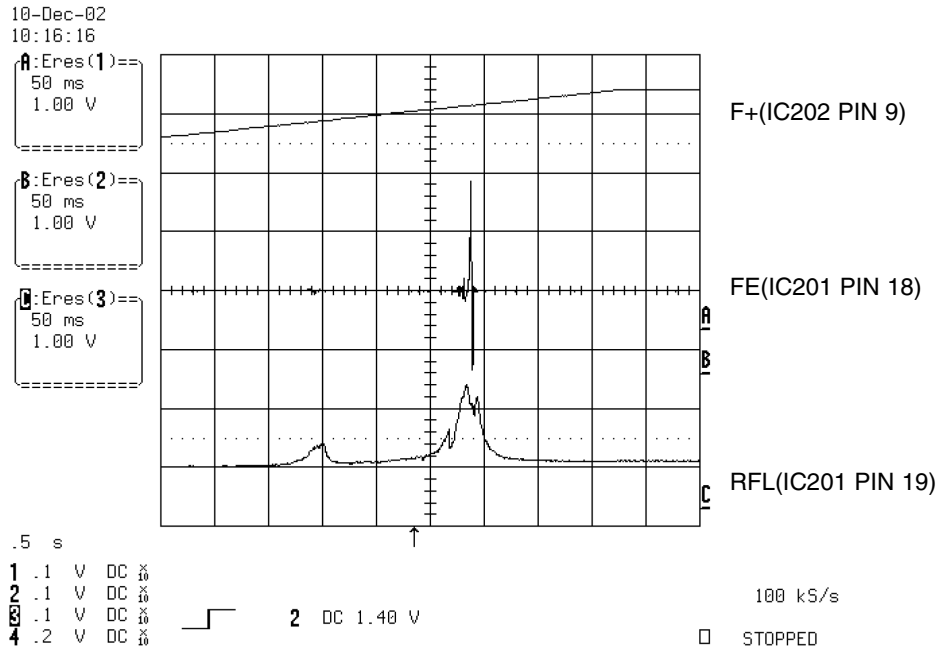


FIG 7-4 (CD)

## 8. FOCUS ON WAVEFORM

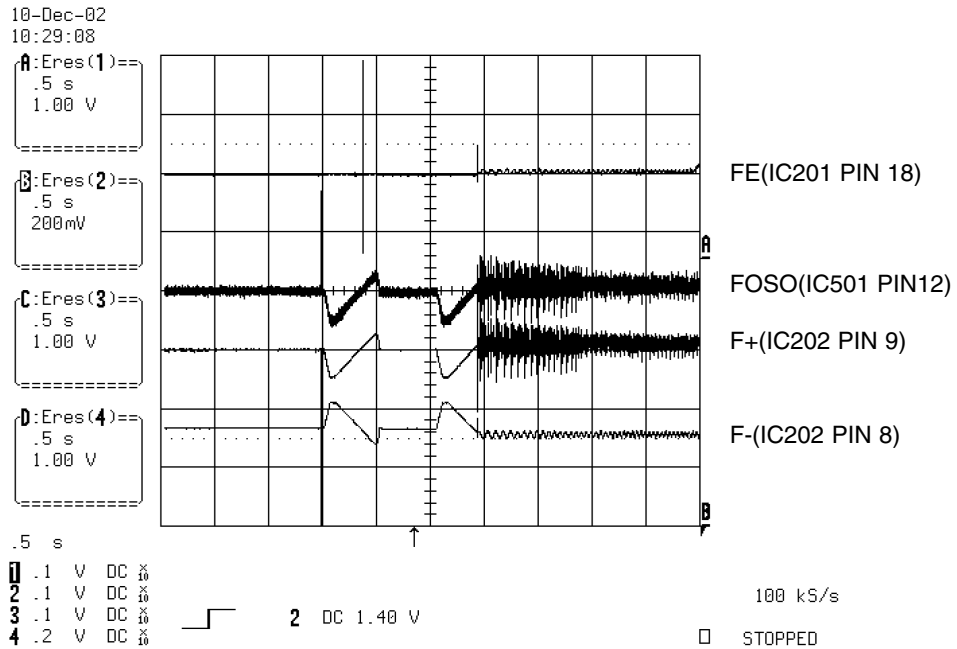


FIG 8-1 (DVD)

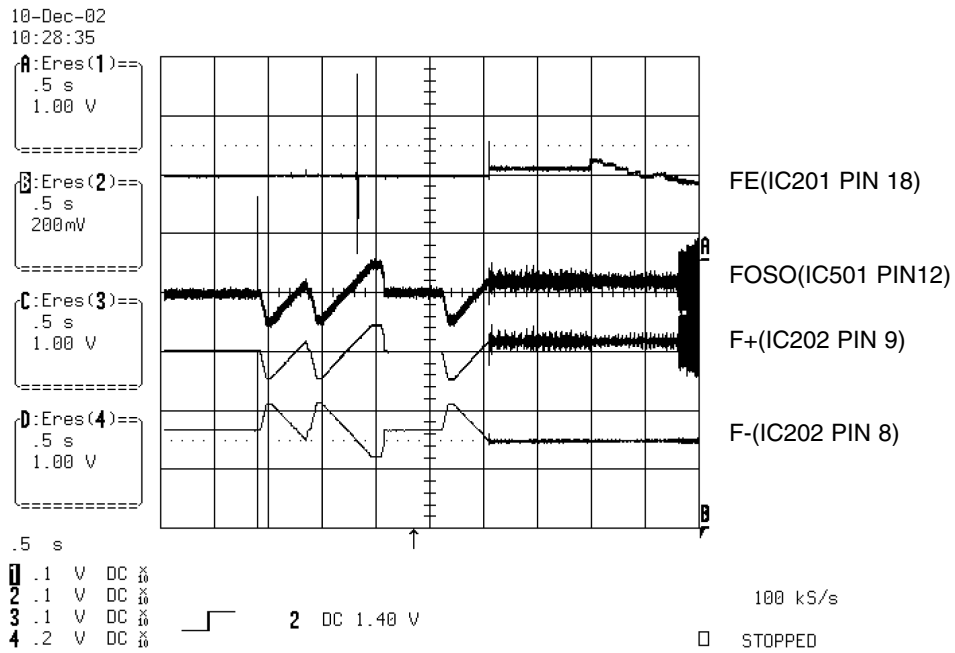


FIG 8-2 (CD)

## 9. SPINDLE CONTROL WAVEFORM (NO DISC CONDITION)

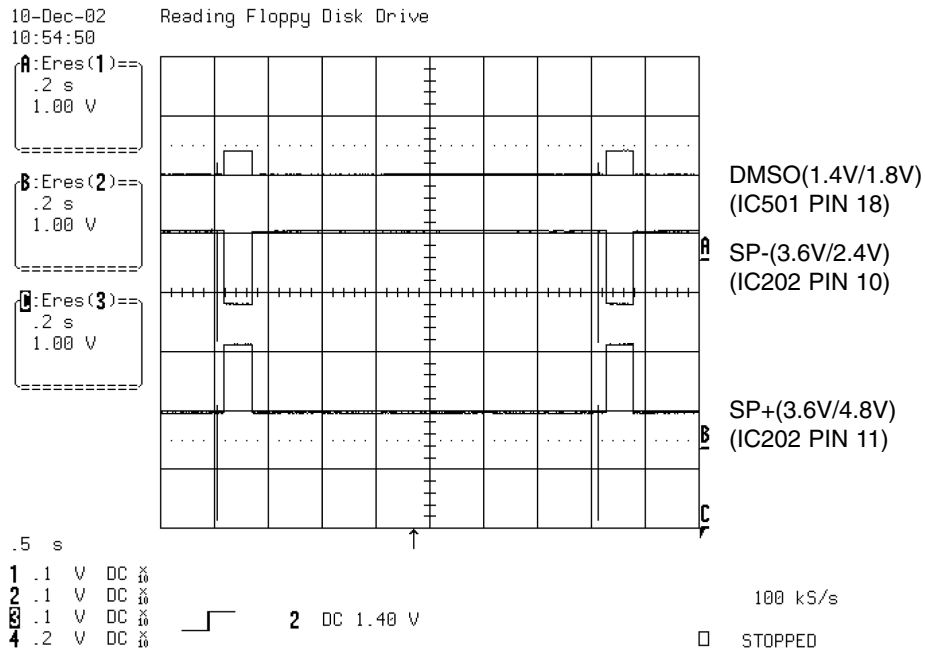


FIG 9-1

# 10. TRACKING CONTROL RELATED SIGNAL(System checking)

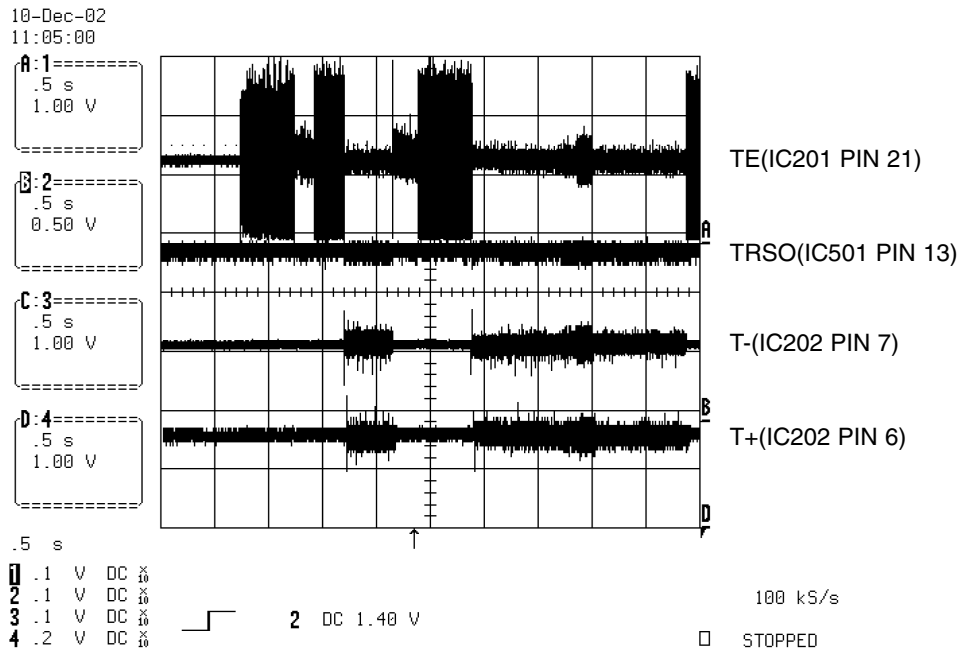


FIG 10-1(DVD)

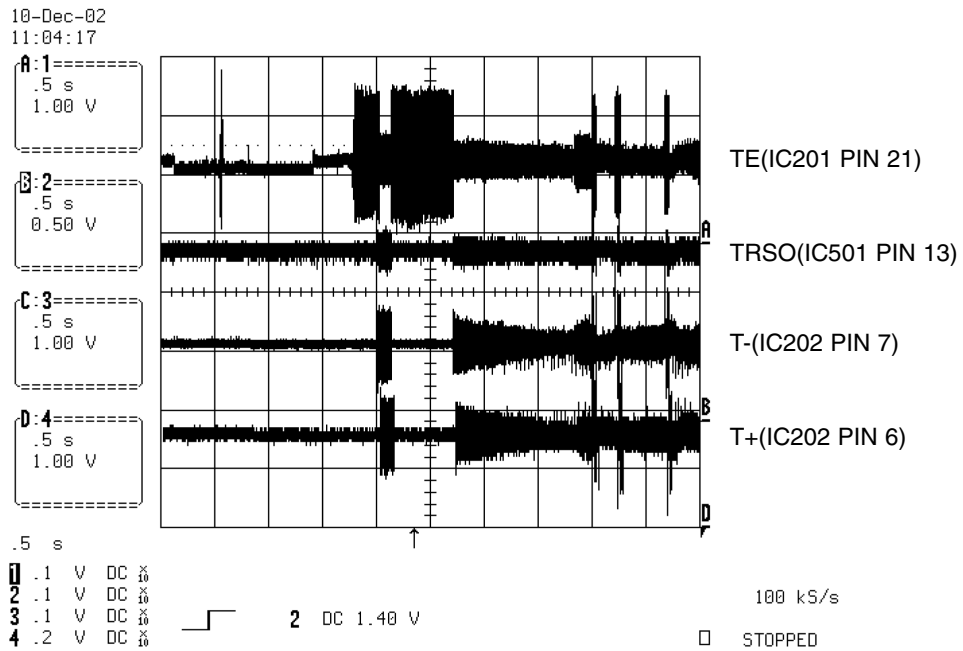


FIG 10-2(CD)

## 11. RF WAVEFORM

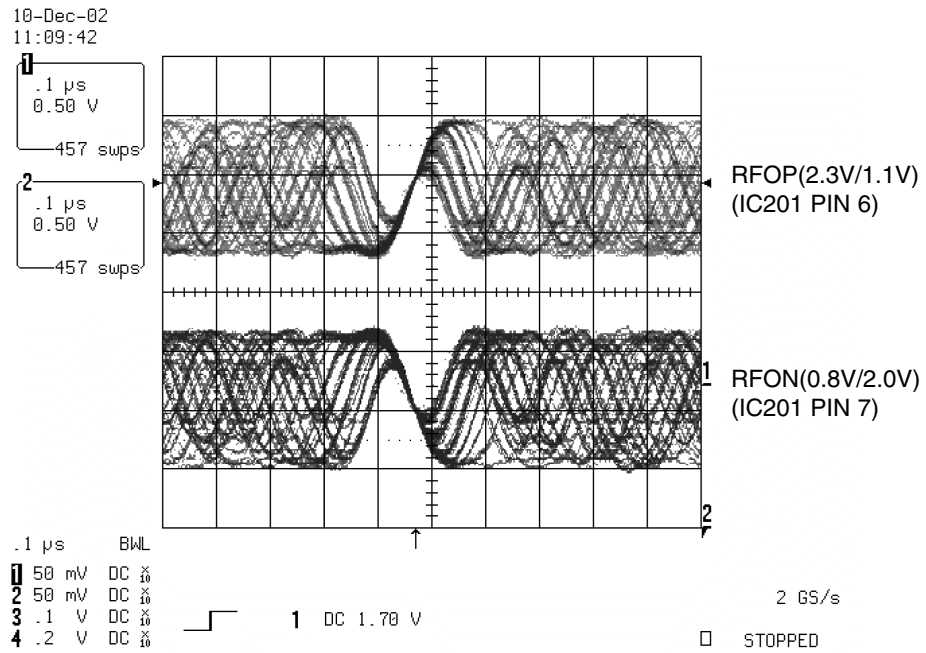


FIG 11-1

## 12. MT1379 AUDIO OPTICAL AND COAXIAL OUTPUT (ASPDIF)

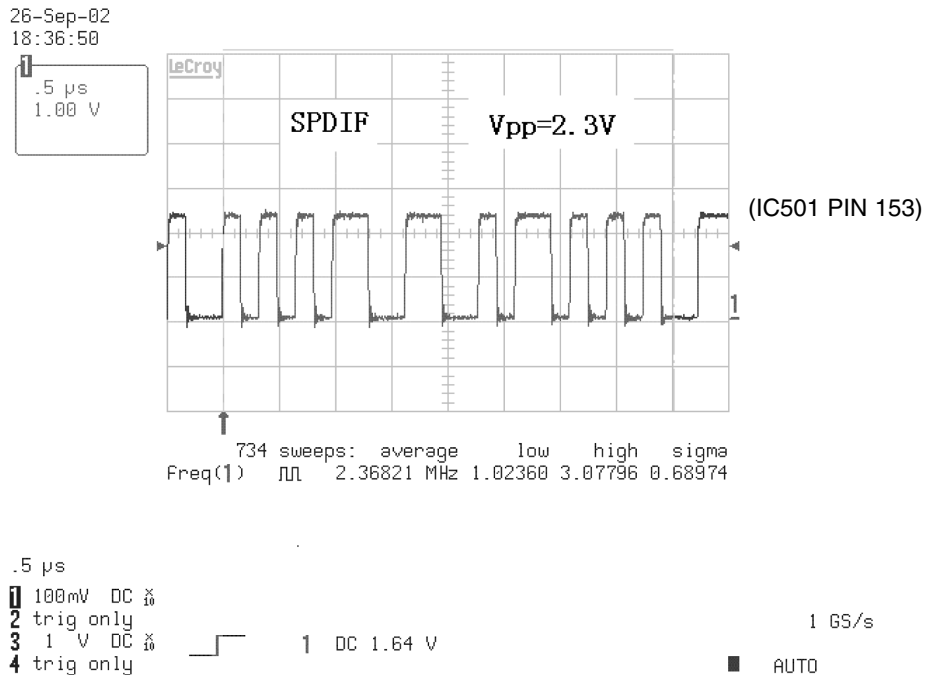


FIG 12-1

### 13. MT1379 VIDEO OUTPUT WAVEFORM

#### 1) Full colorbar signal(CVBS)

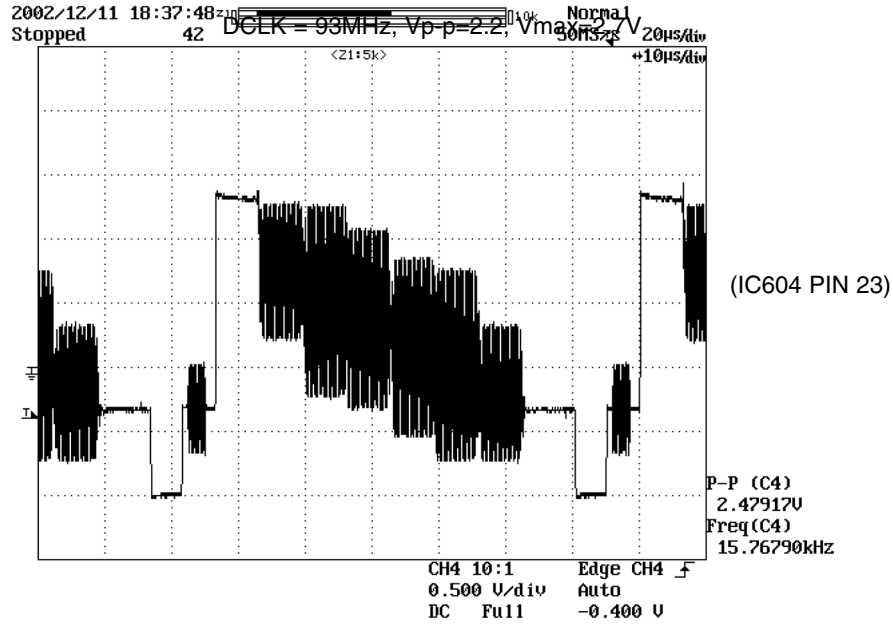


FIG 13-1

#### 2) Y

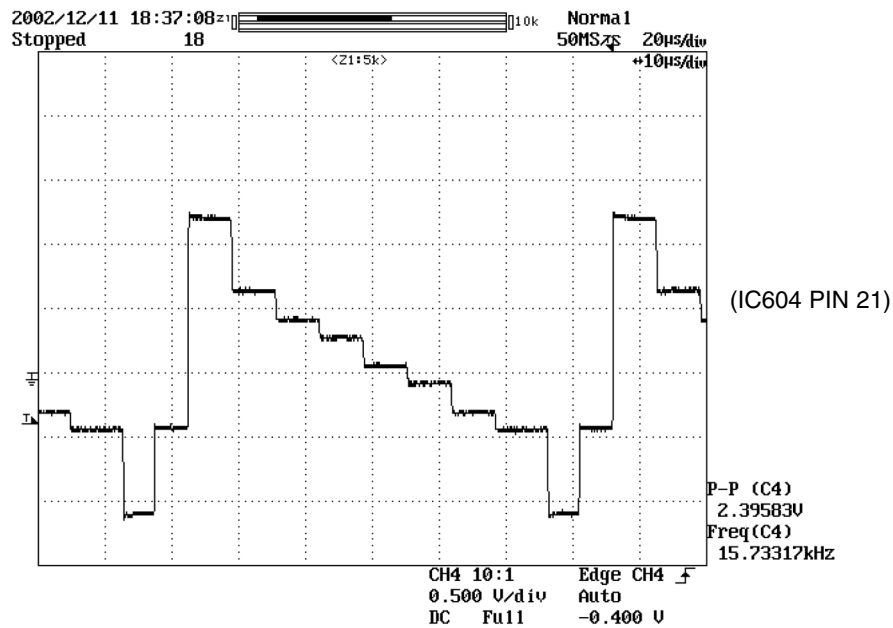


FIG 13-2

3) C

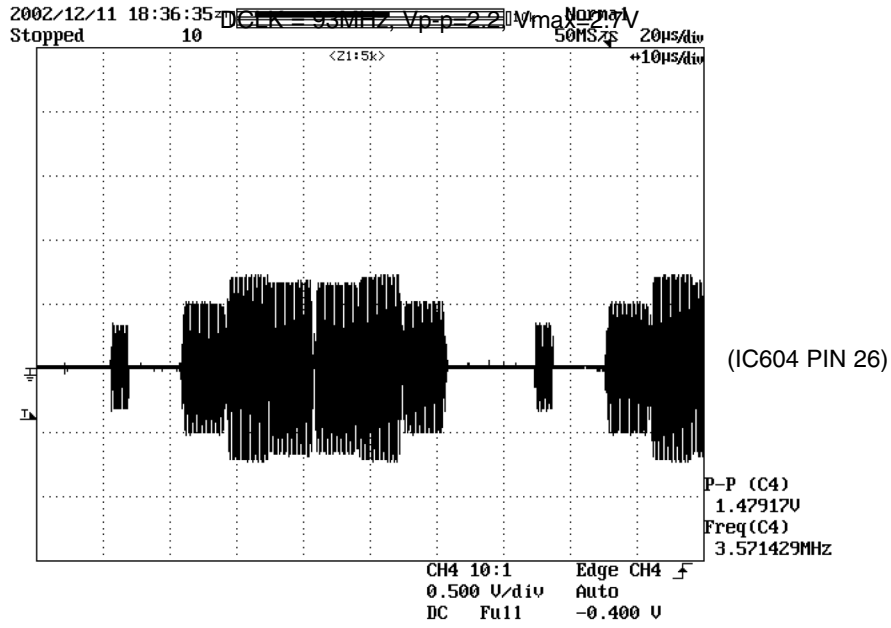


FIG 13-3

## 14. AUDIO OUTPUT FROM AUDIO DAC

1) Audio L/R

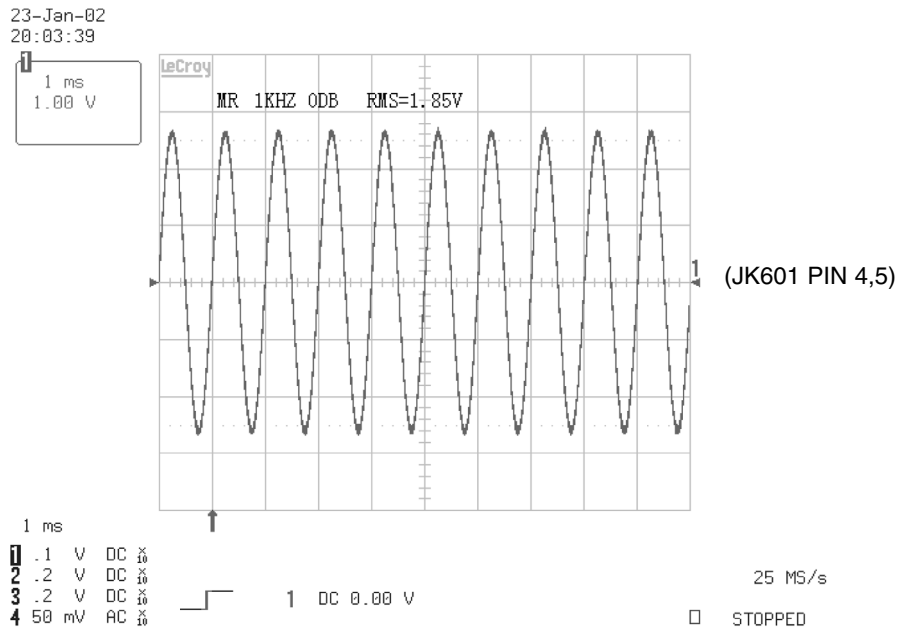


FIG 14-1

## 2) Audio related Signal

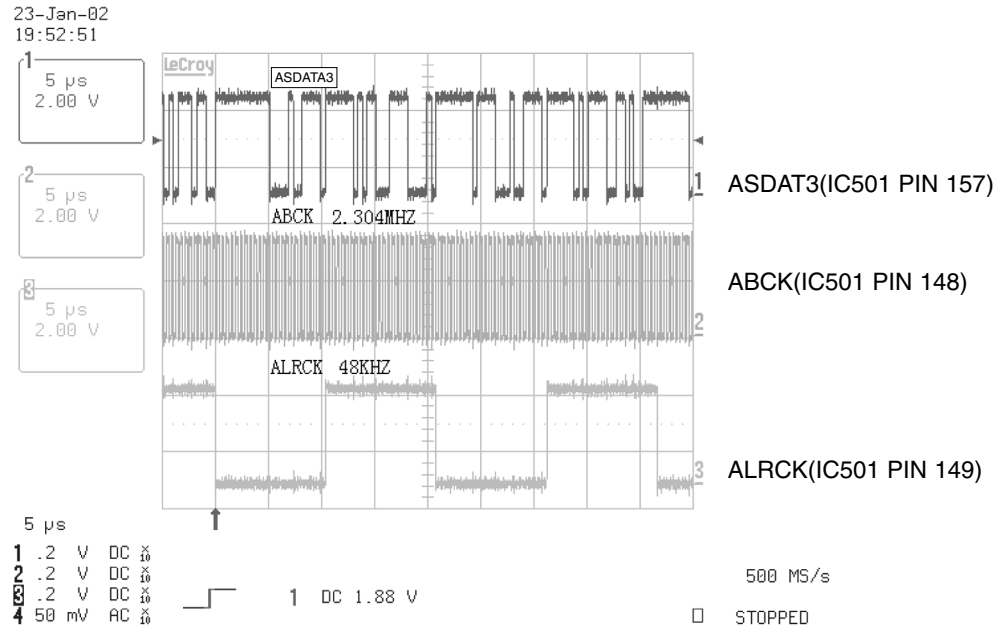
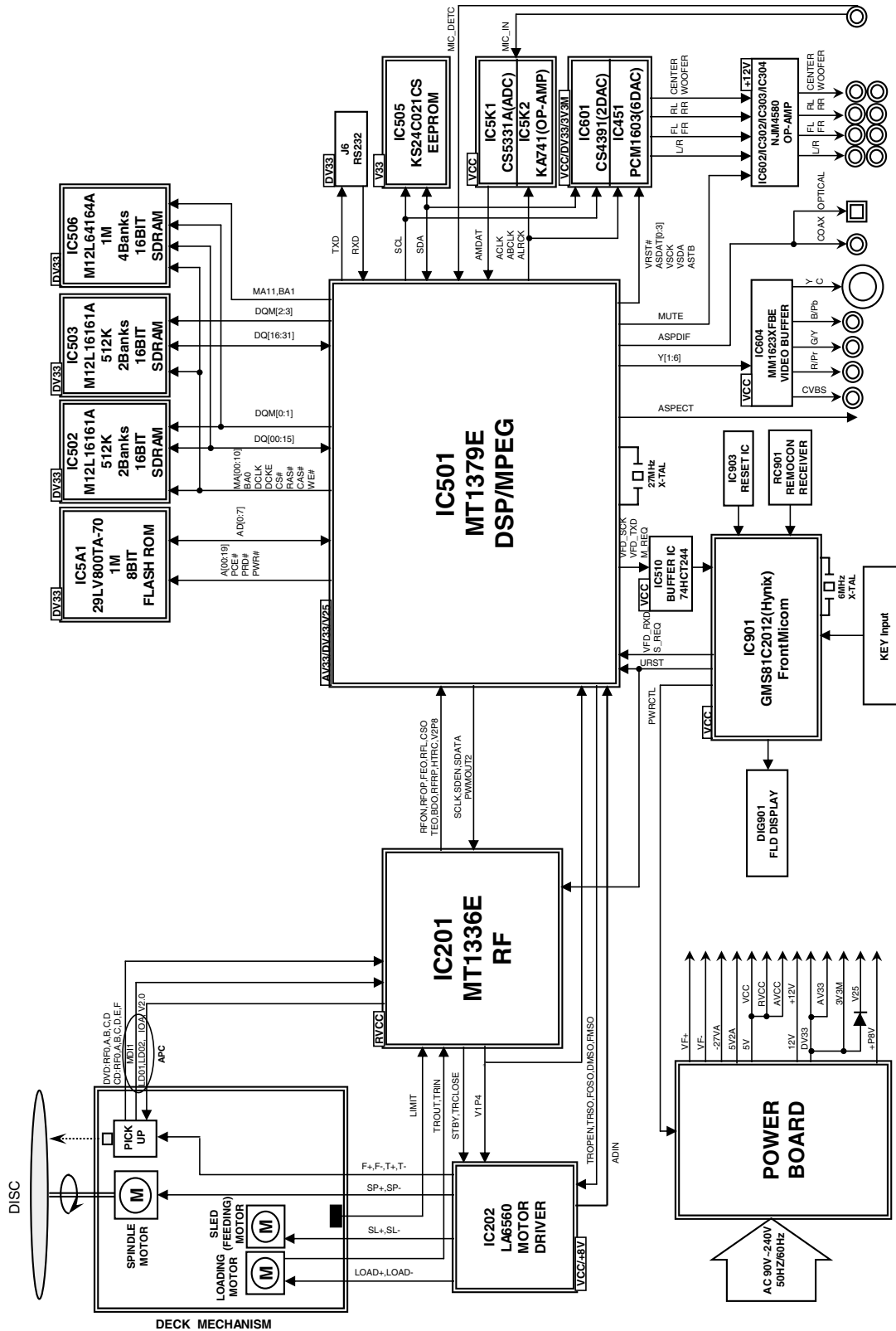


FIG 14-2



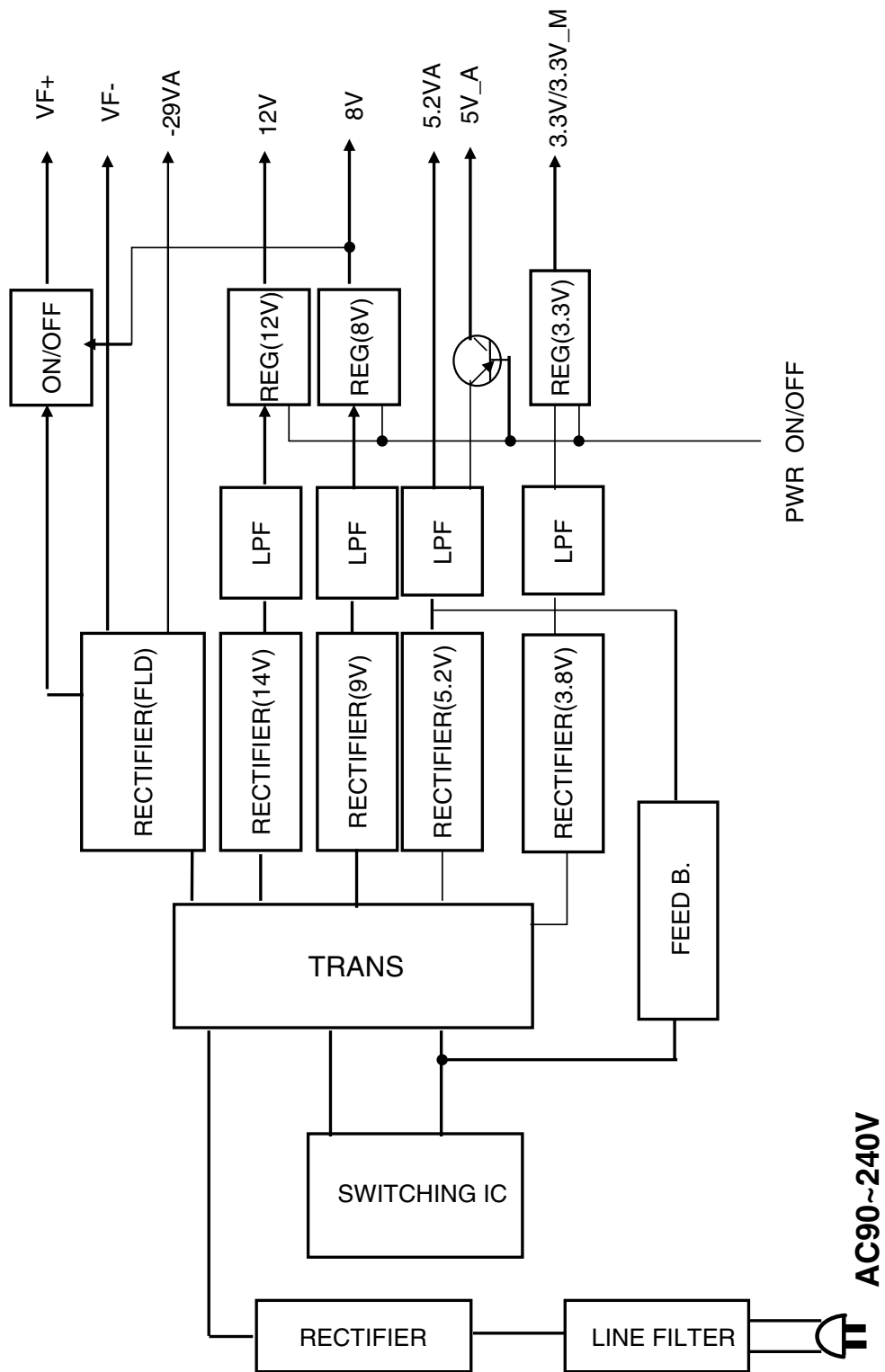
# BLOCK DIAGRAMS

## 1. Overall Block Diagram



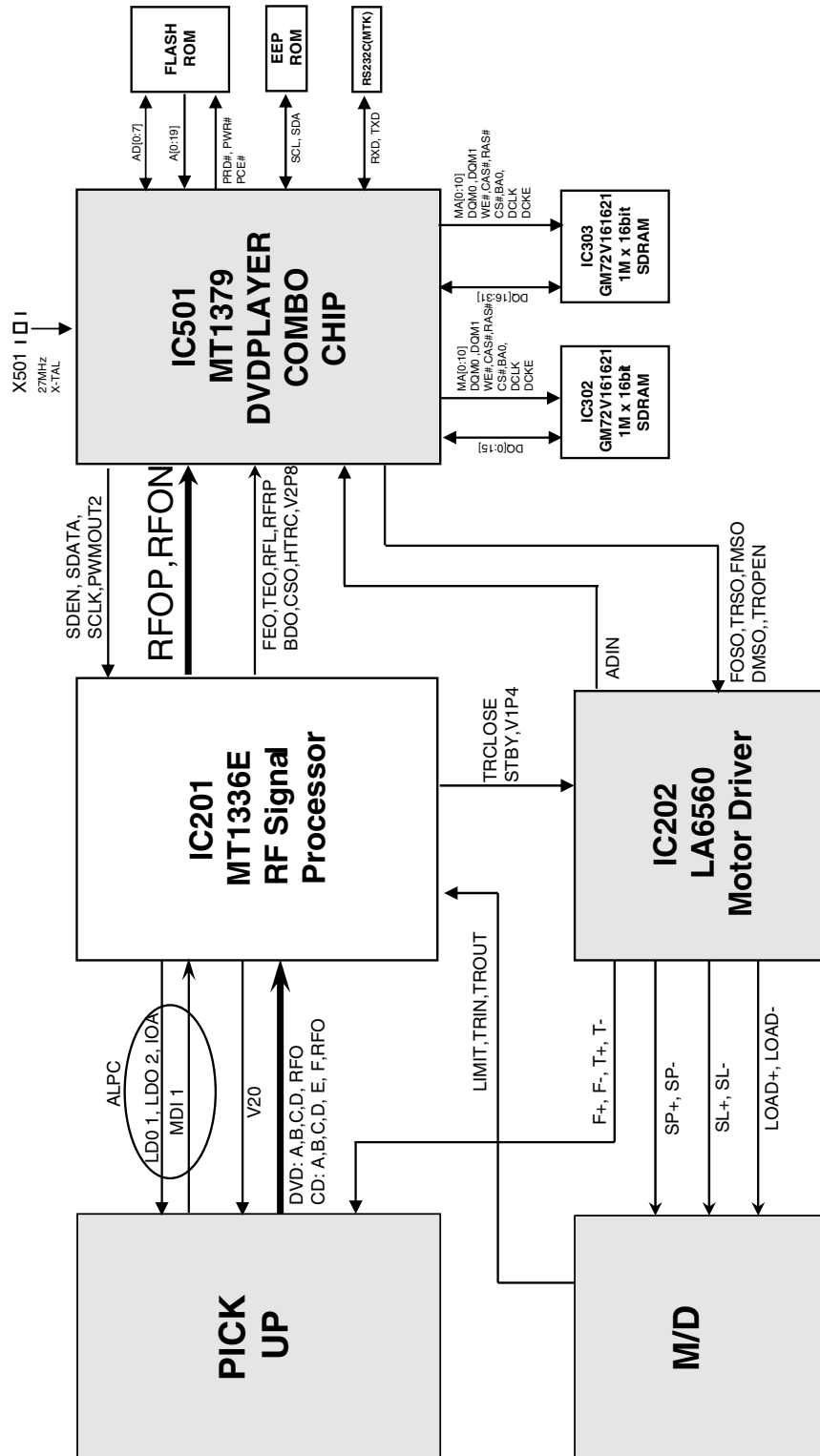
DV7800M'S  
NAD

## 2. Power(SMPS) Block Diagram



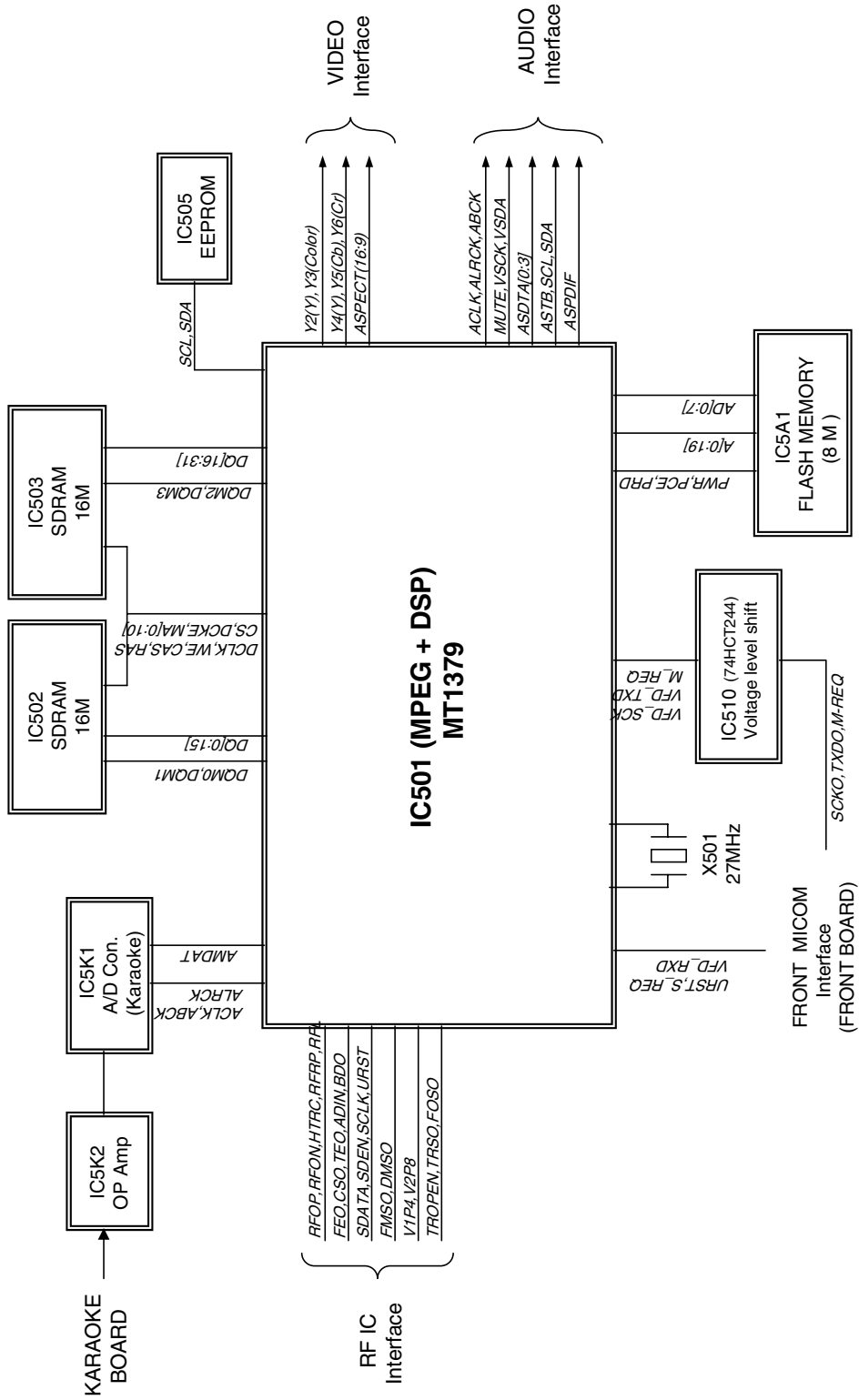
DV7800M'S  
NAD

### 3. SERVO Block Diagram



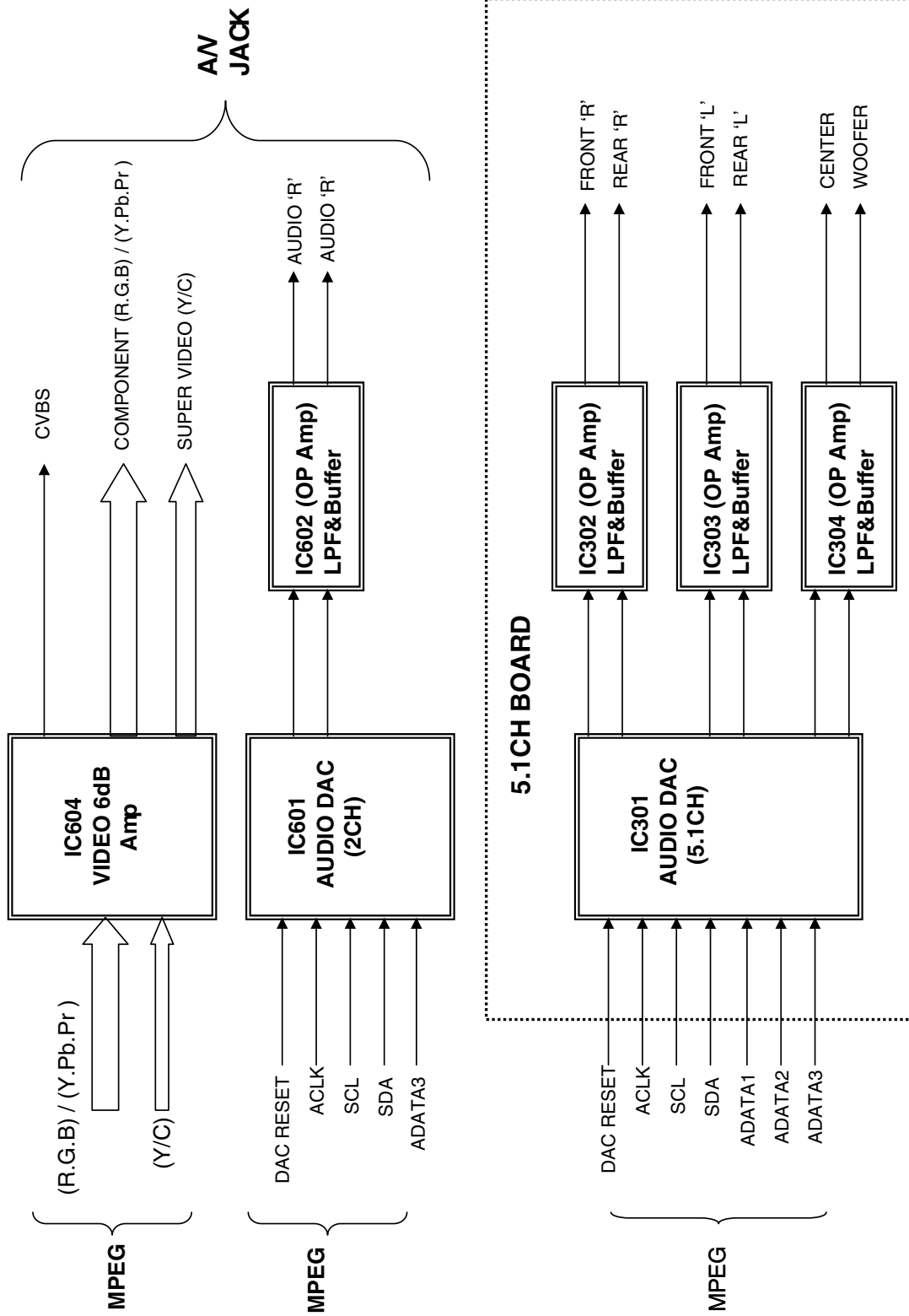
DV7800M'S  
NAD

# 4. MPEG & MEMORY Block Diagram



DV7800M'S  
NAD

# 5. VIDEO & AUDIO Block Diagram



DV7800M'S  
NAD



# CIRCUIT DIAGRAMS

## 1. POWER(SMPS) CIRCUIT DIAGRAM

### IMPORTANT SAFETY NOTICE

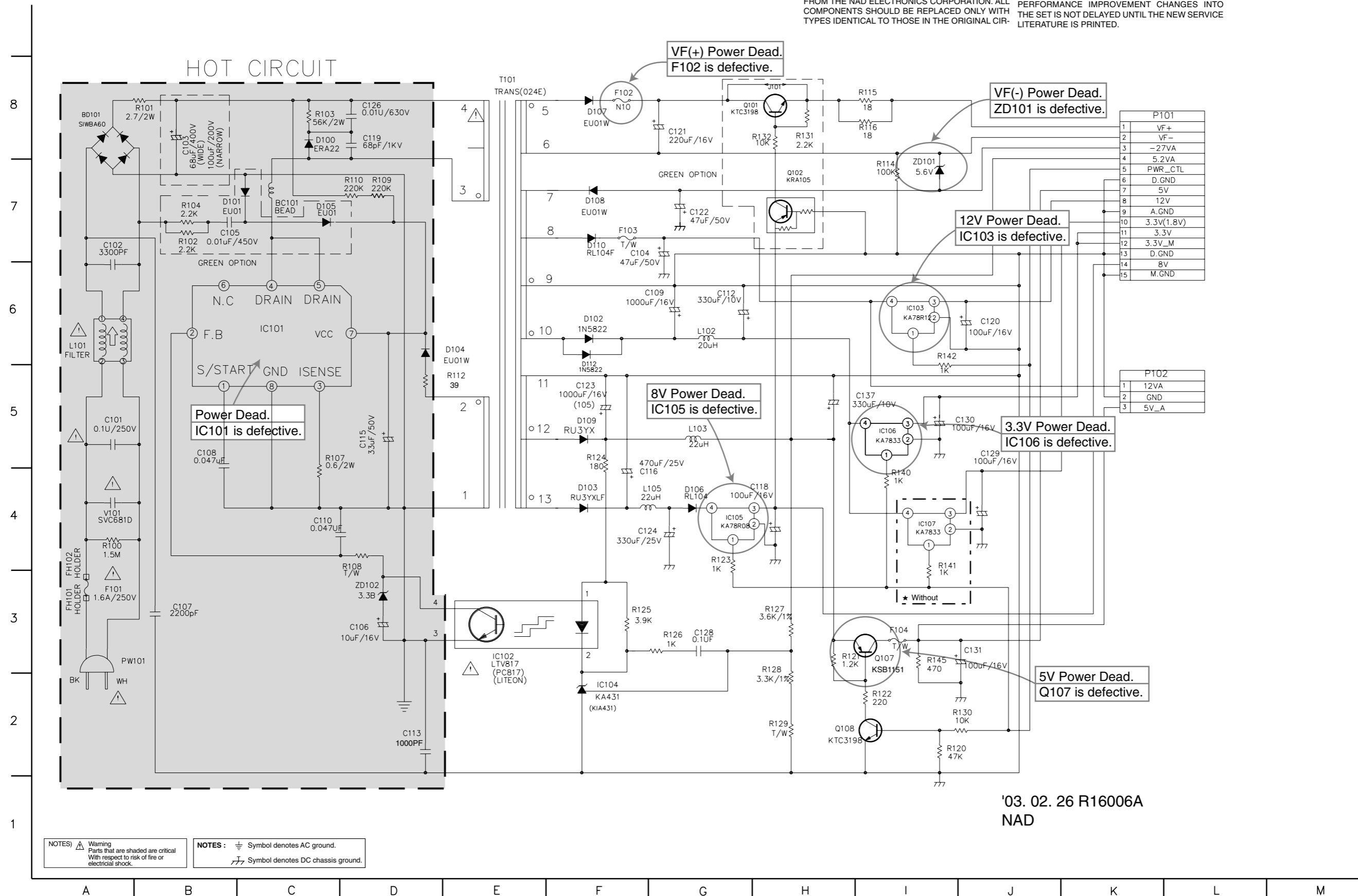
WHEN SERVICING THIS CHASSIS, UNDER NO CIRCUMSTANCES SHOULD THE ORIGINAL DESIGN BE MODIFIED OR ALTERED WITHOUT PERMISSION FROM THE NAD ELECTRONICS CORPORATION. ALL COMPONENTS SHOULD BE REPLACED ONLY WITH TYPES IDENTICAL TO THOSE IN THE ORIGINAL CIR-

CUIT. SPECIAL COMPONENTS ARE SHADED ON THE SCHEMATIC FOR EASY IDENTIFICATION.

THIS CIRCUIT DIAGRAM MAY OCCASIONALLY DIFFER FROM THE ACTUAL CIRCUIT USED. THIS WAY, IMPLEMENTATION OF THE LATEST SAFETY AND PERFORMANCE IMPROVEMENT CHANGES INTO THE SET IS NOT DELAYED UNTIL THE NEW SERVICE LITERATURE IS PRINTED.

### NOTE :

1. Shaded(■) parts are critical for safety. Replace only with specified part number.
2. Voltages are DC-measured with a digital voltmeter during Play mode.



P101	
1	VF+
2	VF-
3	-27VA
4	5.2VA
5	PWR_CTL
6	D.GND
7	5V
8	12V
9	A.GND
10	3.3V(1.8V)
11	3.3V
12	3.3V_M
13	D.GND
14	8V
15	M.GND

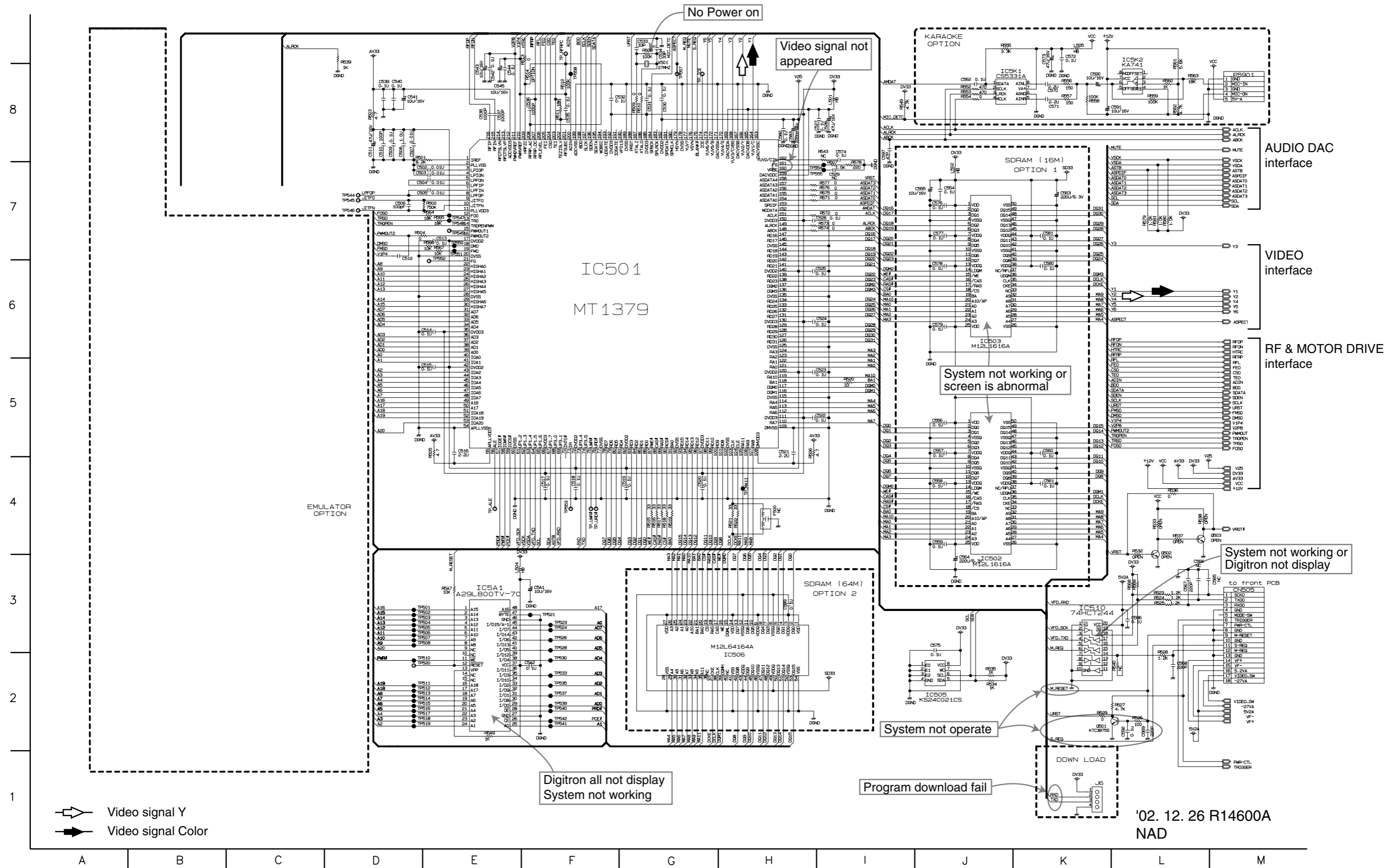
P102	
1	12VA
2	GND
3	5V_A

NOTES: ⚠ Warning Parts that are shaded are critical With respect to risk of fire or electrical shock.

NOTES: ⚡ Symbol denotes AC ground. ⏏ Symbol denotes DC chassis ground.

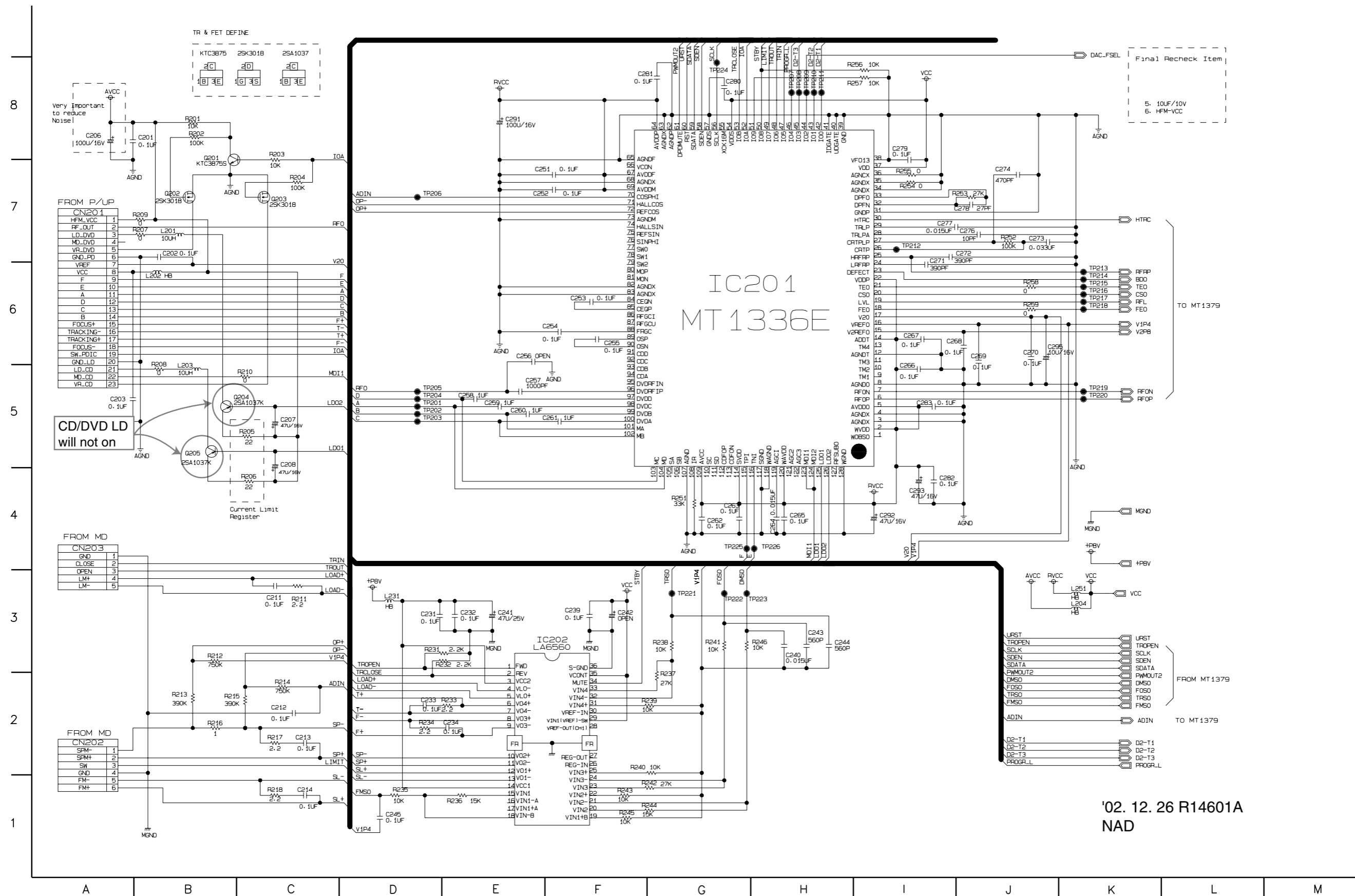
'03. 02. 26 R16006A  
NAD

## 2. SYSTEM CIRCUIT DIAGRAM



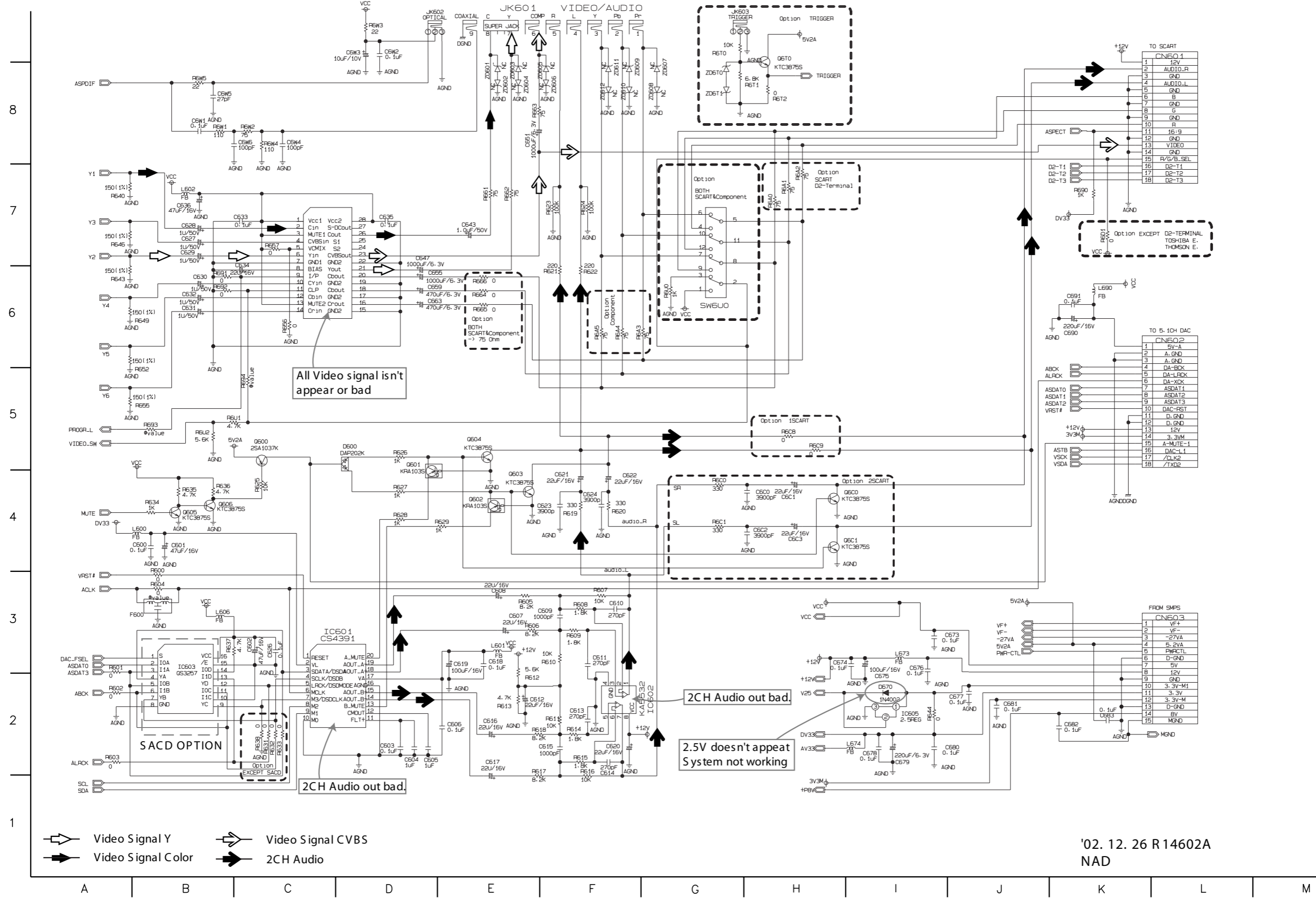


### 3. RF & SERVO CIRCUIT DIAGRAM





# 5. AV/JACK CIRCUIT DIAGRAM



8  
7  
6  
5  
4  
3  
2  
1

Video Signal Y     Video Signal CVBS  
 Video Signal Color     2CH Audio

A    B    C    D    E    F    G    H    I    J    K    L    M

'02. 12. 26 R14602A  
NAD

• CIRCUIT VOLTAGE CHART

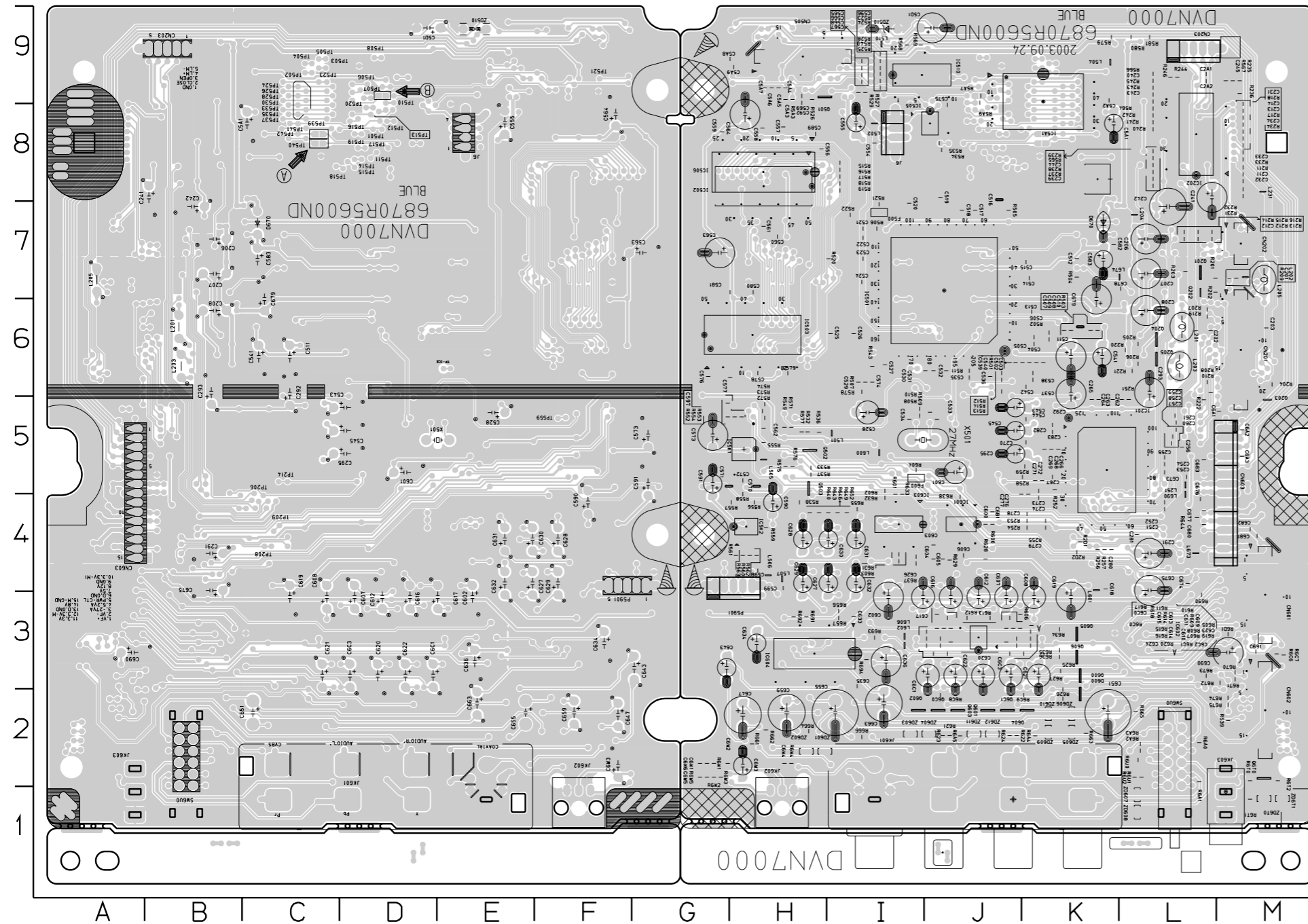
PIN	IC201(MT1338E)		IC202(MOTOR)		IC501(MT1379)		IC502(SDRAM)		IC505(EEPROM)		IC510(BUFFER)		IC5A1(FLASH)		IC5K1(KARAOKE)		IC601(CS4391)		IC602(AMP)		IC604(MM1623FBE)	
	STOP	PLAY	STOP	PLAY	STOP	PLAY	STOP	PLAY	STOP	PLAY	STOP	PLAY	STOP	PLAY	STOP	PLAY	STOP	PLAY	STOP	PLAY	STOP	PLAY
1	1.03	2.99	0	0	1.22	1.22	3.27	3.28	0	0	0	0	0.08	0.16	2	0	3.28	3.29	5.52	5.49	5.09	5.08
2	5.11	5.08	0	0	0	0	1.18	1.26	0	0	2.59	2.55	1.82	0.45	1.64	1.63	3.28	3.28	5.52	5.48	2.43	2.42
3	0	0	8.04	8.01	0.96	0.9	1.1	1.52	0	0	0	0	2.84	0	1.64	1.64	0	1.65	5.51	5.47	5.09	5.08
4	0	0	0.12	0.06	2	2.06	0	0	0	0	2.59	2.56	2.83	3.12	1.58	1.56	1.63	1.64	0	0	1.45	0
5	5.11	5.07	0	0.06	0	1.51	0.66	1.07	3.28	3.29	0	0	0.69	0.26	2.23	2.23	1.64	1.65	5.51	5.48	0	0
6	0	1.95	3.64	3.69	1.48	1.47	0.85	1.12	3.28	3.29	3.24	3.23	1.72	0.25	0	0	1.59	1.61	5.51	5.48	1.45	1.69
7	0	0	3.62	3.61	0	1.56	3.27	3.28	0	0	0	0	1.92	0.9	5.12	5.08	0	0	5.52	5.47	0	0
8	0	0	3.64	3.53	3.2	1.52	0.51	0.97	3.28	3.29	0.14	0.08	1.7	1.45	2.23	2.23	3.28	0	12.03	12.03	2.47	2.46
9	5.11	0	3.6	3.76	0.12	0.06	3.06	0	0	0	0	0	0	0	0	0	3.28	3.29	0	0	0	0
10	5.11	5.08	3.62	2.43	0.12	0.06	0	0	0	0	0	0	0	0	0	0	0	0	0	1.14	1.76	
11	5.11	5.08	3.63	4.85	3.25	3.25	0.06	0.98	0	0	0.15	0.09	3.27	3.29	0	0	5.01	5.01	0	0	0	0
12	0	0	3.62	3.72	1.41	1.49	3.18	0.87	0	0	0	0	3.56	3.55	0	0	2.31	2.31	0	0	2.42	2.42
13	5.11	0	3.64	3.57	1.41	1.41	3.27	3.28	0	0	0.15	0.08	3.29	3.29	0	0	4.96	0	0	0	5.09	5.08
14	5.11	5.08	8.04	8.01	0	0	2.94	2.56	0	0	5.19	5.19	0	0	0	0	1.42	2.41	0	0	2.43	2.42
15	2.84	2.81	1.45	1.48	1.42	1.42	0.47	0.42	0	0	0.14	0.09	0.23	0.06	0	0	2.4	2.39	0	0	0	0
16	1.45	1.43	0.27	1.39	3.3	0	2.93	3.01	0	0	5.25	5.24	0	0	0	0	0	0	0	0	2.49	2.47
17	2.08	2.07	0.29	1.32	2.53	2.53	3.21	3.22	0	0	0.15	0.08	0	0	0	0	5.11	5.09	0	0	0	0
18	1.37	1.42	1.45	1.43	1.42	2.27	2.87	2.95	0	0	5.23	5.23	0	0.87	0	0	2.41	2.41	0	0	2.48	2.47
19	0.69	2.3	1.45	1.43	1.42	1.39	0.15	1.32	0	0	0	0	1.98	2.64	0	0	2.43	2.43	0	0	0	0
20	2.4	0	1.45	0.82	0	0	0	0.05	0	0	5.25	5.25	2.28	2.18	0	0	0	0	0	0	1.18	2.3
21	2.35	0	1.45	1.43	2.61	2.58	3.09	1.32	0	0	0	0	2.13	1.96	0	0	0	0	0	0	1.76	2.17
22	5.11	5.08	1.45	1.43	0.75	1.46	3.09	1.32	0	0	0	0	1.67	2.01	0	0	0	0	0	0	0	0
23	0	0	1.47	1.37	2.83	1	3.09	1.32	0	0	0	0	1.99	1.72	0	0	0	0	0	0	1.76	2.24
24	2.59	3.2	1.45	1.43	1.9	0.89	3.09	1.33	0	0	0	0	1.93	2.19	0	0	0	0	0	0	0	0
25	0.19	1.88	1.45	1.43	1.72	0.39	3.27	3.29	0	0	0	0	2.05	1.94	0	0	0	0	0	0	0	0
26	1.58	0	0.95	0.91	0.68	0.31	0	0	0	0	0	0	0	0	0	0	0	0	0	0	0	0
27	2.56	3.13	0	0	2.84	3.16	0.15	1.36	0	0	0	0	0	0	0	0	0	0	0	0	0.06	0.05
28	2	2.01	1.45	1.43	0	0	1.84	2.36	0	0	0	0	0	0	0	0	0	0	0	0	5.09	0
29	2	2.06	5.15	5.11	2.85	0.66	1	2.32	0	0	0	0	1.49	2.03	0	0	0	0	0	0	0	0
30	2.96	1.52	1.45	1.43	1.83	0.49	0.54	1.75	0	0	0	0	0.16	1.07	0	0	0	0	0	0	0	0
31	0	0	1.45	1.43	0.91	1.39	0.06	0.06	0	0	0	0	1.96	1.25	0	0	0	0	0	0	0	0
32	0.06	2.07	1.45	1.43	1.43	1.2	0.05	0.06	0	0	0	0	0.16	1.1	0	0	0	0	0	0	0	0
33	0.07	2.07	1.46	1.45	1.51	1.57	0	0	0	0	0	0	0.99	2.2	0	0	0	0	0	0	0	0
34	0	0	5.08	5.06	1.51	1.43	0.73	1.26	0	0	0	0	1.17	1.07	0	0	0	0	0	0	0	0
35	0	0	5.15	5.11	3.3	3.29	1.48	1.55	0	0	0	0	0.79	1.82	0	0	0	0	0	0	0	0
36	0	0	0	0	0.81	1.26	2.91	2.53	0	0	0	0	0.15	1.07	0	0	0	0	0	0	0	0
37	5.13	0	0	0	1.45	1.02	0.07	0	0	0	0	0	3.29	3.3	0	0	0	0	0	0	0	0
38	0	0	0	0	1.82	1.6	3.27	3.28	0	0	0	0	1.93	3.09	0	0	0	0	0	0	0	0
39	0	0	0	0	1.2	1.5	1.06	1.05	0	0	0	0	0.16	1.07	0	0	0	0	0	0	0	0
40	0	0	0	0	2	2.06	0.47	0.98	0	0	0	0	1.5	2.2	0	0	0	0	0	0	0	0
41	0	0	0	0	2.17	1.95	0	0	0	0	0	0	0.16	1.07	0	0	0	0	0	0	0	0
42	5.12	5.09	0	0	2.53	2.52	0	0.6	0	0	0	0	1.21	2.64	0	0	0	0	0	0	0	0
43	5.12	5.09	0	0	1.96	1.9	1.12	1.24	0	0	0	0	0.16	1.08	0	0	0	0	0	0	0	0
44	5.12	5.09	0	0	1.79	1.9	3.27	3.28	0	0	0	0	1.64	1.48	0	0	0	0	0	0	0	0
45	5.12	5.09	0	0	0.8	1.72	1.21	0.99	0	0	0	0	2.05	2.06	0	0	0	0	0	0	0	0
46	5.12	5.09	0	0	0.8	1.96	1.31	1.34	0	0	0	0	0	0	0	0	0	0	0	0	0	0
47	0	0	0	0	0.8	1.84	0	0	0	0	0	0	0	0	0	0	0	0	0	0	0	0
48	5.12	5.09	0	0	3.3	2.63	1.43	1.44	0	0	0	0	0.07	0.13	0	0	0	0	0	0	0	0
49	5.12	0	0	0	0	0.13	0.88	1.01	0	0	0	0	0	0	0	0	0	0	0	0	0	0
50	5.08	5.06	0	0	0	0.07	0	0	0	0	0	0	0	0	0	0	0	0	0	0	0	0
51	5.09	5.07	0	0	0	0	0	0	0	0	0	0	0	0	0	0	0	0	0	0	0	0
52	5.1	0	0	0	0	0	0	0	0	0	0	0	0	0	0	0	0	0	0	0	0	0
53	0	0	0	0	0	0	0	0	0	0	0	0	0	0	0	0	0	0	0	0	0	0
54	5.13	0	0	0	0	0	0	0	0	0	0	0	0	0	0	0	0	0	0	0	0	0
55	0.09	0.2	0	0	3.25	3.27	0	0	0	0	0	0	0	0	0	0	0	0	0	0	0	0
56	1.61	0	0	0	1.21	1.18	0	0	0	0	0	0	0	0	0	0	0	0	0	0	0	0
57	0	0	0	0	0	0	0	0	0	0	0	0	0	0	0	0	0	0	0	0	0	0
58	0	0	0	0	3.29	3.29	0	0	0	0	0	0	0	0	0	0	0	0	0	0	0	0
59	0	0	0	0	0	0	0	0	0	0	0	0	0	0	0	0	0	0	0	0	0	0
60	0	0	0	0	0	0	0	0	0	0	0	0	0	0	0	0	0	0	0	0	0	0
61	3.28	0	0	0	2.59	2.57	0	0	0	0	0	0	0	0	0	0	0	0	0	0	0	0
62	0	0	0	0	2.58	2.58	0	0	0	0	0	0	0	0	0	0	0	0	0	0	0	0
63	0	0	0	0	0	0	0	0	0	0	0	0	0	0	0	0	0	0	0	0	0	0
64	0	0	0	0	2.59	2.56	0	0	0	0	0	0	0	0	0	0	0	0	0	0	0	0
65	0	0	0	0	3.29	3.29	0	0	0	0	0	0	0	0	0	0	0	0	0	0	0	0
66	0.26	0	0	0	3.3	3.29	0	0	0	0	0	0	0	0	0	0	0	0	0	0	0	0
67	5.12	5.08	0	0	3.29	3.29	0	0	0	0	0	0	0	0	0	0	0	0	0	0	0	0
68	0	0	0	0	2.57	2.56	0	0	0	0	0	0	0	0	0	0	0	0	0	0	0	0
69	5.12	0	0	0	5.19	5.18	0	0	0	0	0	0	0	0	0	0	0	0	0	0	0	0
70	3.21	2.03	0	0	2.59	2.57	0	0	0	0	0	0	0	0	0	0	0	0	0	0	0	0
71	3.46	2.2	0	0	0.12	0.08	0	0	0	0	0	0	0	0	0	0	0	0	0	0	0	0
72	2.81	0	0	0	2.53	2.52	0	0	0	0	0	0	0	0	0	0	0	0	0	0	0	0
73	0	0	0	0																		

PIN	IC201(MT1336E)		IC202(MOTOR)		IC501(MT1379)		IC502(SDRAM)		IC505(EEPROM)		IC510(BUFFER)		IC5A1(FLASH)		IC5K1(KARAOKE)		IC601(CS4391)		IC602(AMP)		IC604(MM1623XFB)	
	STOP	PLAY	STOP	PLAY	STOP	PLAY	STOP	PLAY	STOP	PLAY	STOP	PLAY	STOP	PLAY	STOP	PLAY	STOP	PLAY	STOP	PLAY	STOP	PLAY
161					0	1.27																
162					0	2.35																
163					0	0																
164					0	0.73																
165					0	3.27																
166					0	0.5																
167					0	0																
168					0	0.53																
169					0	3.27																
170					0	0.59																
171					0	0																
172					3.01	0.72																
173					0	0.72																
174					0	0																
175					0	2.73																
176					0	3.13																
177					0	3.13																
178					0	3.25																
179					0	0																
180					0	0																
181					2.04	2.64																
182					0	2.52																
183					0	0																
184					0	0.09																
185					0	3.26																
186					-	-																
187					0	0.08																
188					0	0																
189					0	0																
190					0	0																
191					0.23	0																
192					0	3.29																
193					0	0																
194					0	0																
195					0	0																
196					0	0																
197					0	1.63																
198					0	0																
199					0	0																
200					0	2.15																
201					0	1.44																
202					0	1.44																
203					0	1.43																
204					0	1.43																
205					0	1.42																
206					0	2.1																
207					0	2.07																
208					0	1.41																
209					0	1.52																
210					0	1.43																
211					0	2.81																
212					0	3.28																
213					0	0.12																
214					0	0.12																
215					1.02	1.43																
216					0	1.43																

	Q201		Q202		Q203		Q204		Q205	
	STOP	PLAY	STOP	PLAY	STOP	PLAY	STOP	PLAY	STOP	PLAY
E	0	0	0	0	0	0	5.14	4.34	5.14	5.1
C	0	5.09	0	0	0	0.19	0	2.42	0.5	0
B	0.68	0	0	5.04	5.04	0	5.08	3.64	5.08	5.05
	Q501		Q600		Q603		Q604		Q605	
	STOP	PLAY	STOP	PLAY	STOP	PLAY	STOP	PLAY	STOP	PLAY
E	0	0	5.17	0	0	0	0	0	0	0
C	0	0	0	0.13	0	0	0	0	0	0
B	0.83	0.83	5.11	0	0.75	0	0.75	0.16	0.74	0.74

# PRINTED CIRCUIT DIAGRAMS

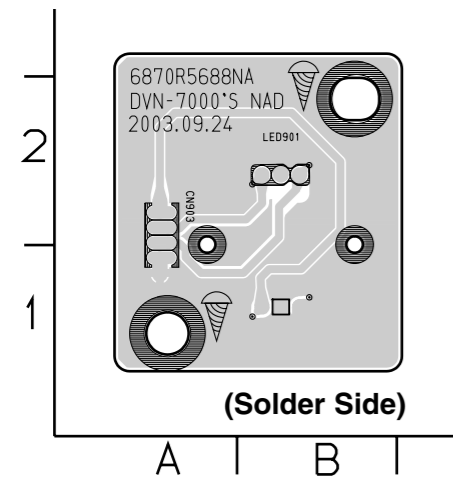
## 1. MAIN P.C.BOARD



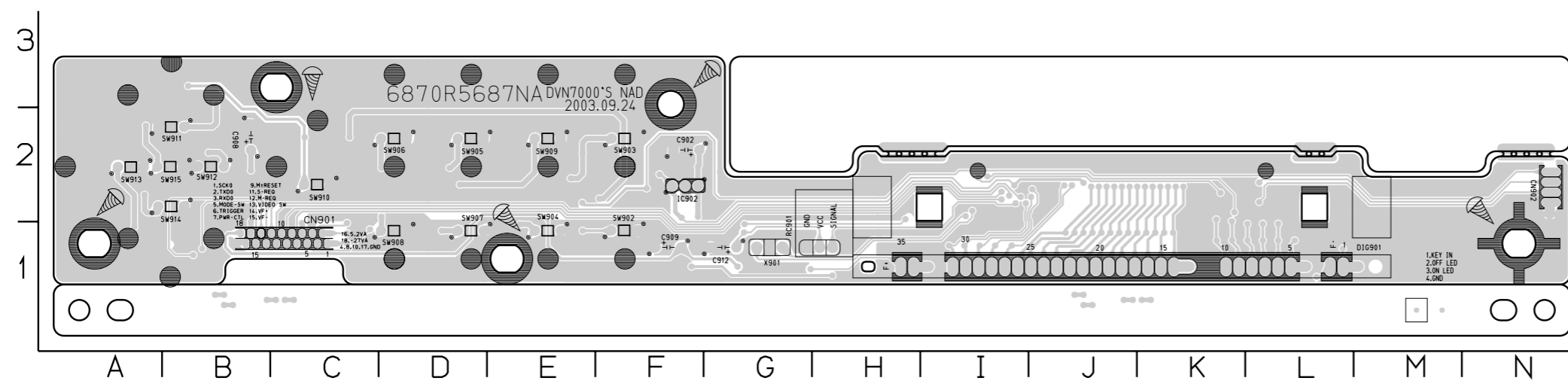
### LOCATION GUIDE

TP-ICE	E6	C201	M7	C505	K6	C575	J8	C636	I3	JK601	J1	R220	L6	R535	J8	R622	J2	R6W2	G2
TP201	A6	C202	L6	C506	K6	C576	G6	C643	G3	JK602	H1	R221	L6	R536	H5	R623	J2	R6W3	G2
TP202	B6	C203	M6	C507	K6	C577	H6	C647	H2	JK603	M1	R222	L5	R537	H5	R624	J2	R6W4	H2
TP203	B6	C206	L7	C508	K6	C578	H6	C651	K2	L201	L6	R231	M8	R538	H4	R625	K3	R6W5	G2
TP204	B5	C207	L7	C509	K6	C579	H6	C655	I2	L202	M7	R232	M8	R539	M2	R626	K2	5W6U0	L2
TP205	A6	C208	L6	C510	K6	C580	H7	C659	H2	L203	L6	R233	M8	R540	I9	R627	K2	TP207	K4
TP206	C4	C211	M6	C511	K6	C581	H7	C663	I2	L204	F7	R234	M8	R543	I6	R628	J4	TP210	K4
TP208	C4	C212	L7	C512	K7	C582	K7	C673	L5	L205	M7	R235	M9	R549	H5	R629	J4	TP211	K4
TP209	C4	C213	M8	C513	K6	C583	K7	C674	L4	L231	M8	R236	M9	R552	G5	R631	I4	TP212	K5
TP214	C5	C214	M8	C514	K7	C589	H8	C675	L4	L251	L5	R237	L8	R553	H5	R632	I4	TP213	J5
TP225	B6	C231	M8	C515	K7	C590	H4	C676	L4	L501	I5	R238	L8	R554	H5	R633	I4	TP215	J5
TP226	B6	C232	M8	C516	J8	C591	G5	C677	L4	L502	I8	R239	L8	R555	H5	R634	K3	TP216	J5
TP501	D8	C233	M8	C517	J7	C592	H9	C678	L7	L504	K9	R240	L8	R556	H4	R635	K3	TP217	K5
TP502	C9	C234	M8	C518	J7	C596	I9	C679	K6	L505	H5	R241	L9	R557	H4	R636	K3	TP218	J5
TP503	C9	C239	L8	C519	J8	C597	G5	C680	L4	L506	H4	R242	L8	R558	H4	R637	I4	TP219	K6
TP504	C9	C240	L9	C520	I7	C598	H4	C681	M4	L507	H4	R243	L9	R559	H4	R638	J4	TP220	K6
TP505	C9	C241	L8	C521	I7	C599	H4	C682	M4	L510	I9	R244	L9	R560	H4	R640	H4	TP221	L8
TP506	D9	C242	L7	C522	I7	C5A1	K8	C683	L5	L600	I5	R245	L9	R561	H4	R643	H4	TP222	L8
TP507	D9	C243	L9	C523	I7	C5A2	K9	C690	M3	L601	K4	R246	L9	R562	H4	R644	L4	TP223	L9
TP508	D9	C244	L8	C524	I7	C5A3	H9	C691	M3	L602	I3	R251	L5	R563	H4	R646	I4	TP224	K4
TP510	D9	C245	M9	C525	I6	C5A4	H9	C691	M5	L606	I3	R252	K5	R564	L8	R649	I4	TP544	K6
TP511	D8	C251	L4	C526	I6	C5A5	H9	C6A2	M5	L673	K4	R253	K4	R565	L8	R652	I4	TP545	K6
TP512	D8	C252	L4	C527	I6	C5A6	H9	C6A3	M5	L674	L7	R254	K4	R566	L9	R655	I4	TP546	K6
TP513	D8	C253	L5	C528	I5	C5A7	H9	C6B1	J4	L690	L4	R255	K4	R567	M9	R656	I3	TP547	L8
TP514	D8	C254	L5	C529	I6	C5A8	H9	C6C0	J3	P5901	H4	R256	K4	R568	I9	R657	I3	TP548	L8
TP515	D8	C255	L5	C530	J6	C5A9	H9	C6C1	J3	Q201	L7	R257	K4	R569	I9	R661	H2	TP549	J6
TP516	D8	C256	L5	C531	J6	C5D1	J9	C6C2	K3	Q202	L7	R258	K5	R571	H5	R662	H2	TP550	J9
TP517	D8	C257	L5	C532	J6	C5D0	J4	C6C3	J3	Q203	M5	R259	K5	R572	H5	R663	K2	TP551	M9
TP518	D8	C258	L5	C533	J5	C601	I5	C6W1	G2	Q204	L6	R2D1	K4	R573	H5	R664	H2	TP552	K8
TP519	D8	C259	L5	C534	I5	C602	I3	C6W2	G2	Q205	L6	R2D2	K4	R574	H5	R665	L2	TP553	J8
TP520	D9	C260	L5	C535	J6	C603	J4	C6W3	H2	Q501	H9	R501	K6	R575	H5	R666	I2	TP554	L6
TP521	D9	C261	L5	C536	J6	C604	J4	C6W4	H2	Q502	H9	R502	K6	R576	H5	R670	M3	TP555	I6
TP523	C9	C262	L5	C537	K6	C605	J4	C6W5	G2	Q503	H5	R503	K6	R577	H5	R671	M3	TP557	I6
TP524	C9	C263	K5	C538	K6	C606	J4	C6W6	G2	Q600	K3	R504	K7	R578	I6	R672	M3	TP558	J6
TP525	C9	C264	K5	C539	J6	C607	J3	CN201	M5	Q601	J2	R505	J7	R579	K9	R673	L3	TP-ALE	J7
TP528	C9	C265	K5	C540	K6	C608	K3	CN202	M7	Q602	I2	R506	I7	R580	I7	R674	M2	TP-MA11	I7
TP530	C9	C266	K5	C541	K6	C609	J3	CN203	L9	Q603	J2	R507	I6	R581	L9	R675	M2	TP-RFRPQ6	J6
TP533	C8	C267	K5	C542	K6	C610	J3	CN505	H9	Q604	K2	R508	I5	R5A3	H9	R690	L3	TP-URD#	J8
TP535	C8	C268	K5	C543	J5	C611	J3	CN601	M3	Q605	K3	R509	J5	R5A7	J9	R691	H3	TP-UWR#	J8
TP537	C8	C269	K5	C544	K5	C612	J3	CN602	M2	Q606	K3	R510	I5	R5A9	J9	R692	H3	X501	I5
TP539	C8	C270	K5	C545	J5	C613	J3	CN603	M5	Q6C0	J2	R511	J6	R600	J4	R693	J3	ZD510	I9
TP541	C8	C271	K5	C554	H8	C614	J3	D600	K2	Q6C1	J2	R512	J6	R601	I4	R694	J3	ZD601	I9
TP542	C8	C272	K5	C555	I8	C615	J3	D670	K7	Q610	M2	R513	J6	R602	I5	R6A0	L2	ZD602	H2
TP543	C8	C273	K5	C556	H8	C616	J3	F500	I7	R201	L7	R514	J6	R603	I4	R6A1	L2	ZD603	I2
TP547	C8	C274	K4	C557	H8	C617	I3	F600	I5	R202	L7	R515	I8	R604	I5	R6A2	L2	ZD604	J2
TP548	C8	C275	K4	C558	H8	C618	K4	IC201	K5	R203	L7	R516	I8	R605	K3	R6A3	L2	ZD605	K2
TP549	C8	C276	K4	C559	H8	C619	K3	IC202	L8	R204	M6	R517	I8	R606	J3	R6A4	K2	ZD606	K2
TP550	C8	C277	K4	C560	H7	C620	J3	IC501	J7	R205	L6	R518	I8	R607	J3	R6A5	J2	ZD607	L1
TP551	C8	C278	K4	C561	H7	C621	K3	IC502	H8	R206	L6	R519	I8	R608	J3	R6C0	J3	ZD608	L1
TP552	C8	C279	K4	C562	H5	C622	J3	IC503	H6	R207	L6	R520	I7	R609	J3	R6C1	J3	ZD609	K2
TP553	C8	C281	L4	C563	G7	C623	K3	IC505	H8	R208	L6	R521	I7	R610	J3	R6C6	M3	ZD610	K2
TP554	C8	C282	K5	C564	H8	C624	J3	IC506	H8	R209	M7	R522	I7	R611	J3	R6C7	M3	ZD611	J2
TP555	C8	C283	K5	C565	I9	C626	I4	IC510	I9	R210	L6	R523	I9	R612	J3	R6C8	J2	ZD612	J2
TP556	C8	C291	L4	C566	I9	C627	I4	IC5A1	K9	R211	M8	R524	I9	R613	J3	R6C9	K2	ZD613	M1
TP557	C8	C292	K6	C567	I9	C628	H4	IC5K1	H5	R212	L7	R525	I9	R614	J3	R6D1	M3	ZD614	M1
TP558	C8	C293	L6	C568	I9	C629	H4	IC5K2	H4	R213	L7	R526	H9	R615	J3	R6T0	M2	ZD615	M2
TP559	C8	C295	L9	C569	H9	C630	I4	IC601	J4	R214	L7	R527	I9	R616	J3	R6T1	M1	ZD616	M2
TP560	C8	C2A1	L9	C570	H5	C631	I4	IC602	J3	R215	L7	R528	I9	R617	J3	R6T2	M2	ZD617	M2
TP561	C8	C2A2	L9	C571	G5	C632	I4	IC603	I4	R216	L7	R529	I9	R618	J3	R6U0	L2	ZD618	M2
TP562	C8	C502	K6	C572	H5	C633	I3	IC604	H3	R217	M8	R532	H5	R619	K3	R6U1	L2	ZD619	M2
TP563	C8	C503	K6	C573	G5	C634	H3	IC605	K8	R218	M8	R533	H5	R620	J3	R6U2	L2	ZD620	M2
TP564	C8	C504	K6	C574	I6	C635	I3	J6	I8	R219	L6	R534	J8	R621	J2	R6W1	G2	ZD621	M1

## 2. KEY P.C.BOARD



## 3. TIMER P.C.BOARD

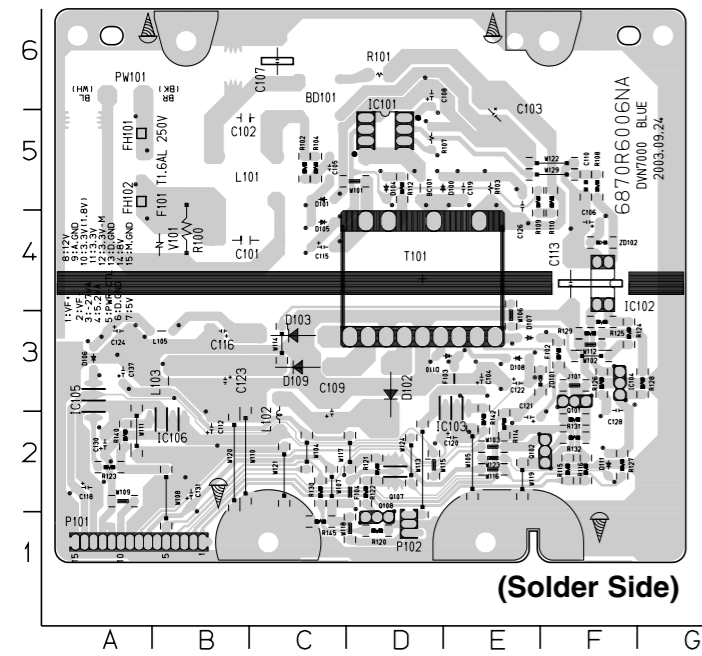


### LOCATION GUIDE

C902	F2	R902	E2	R923	K1	R945	A2
C905	G2	R903	E2	R924	K1	R951	K2
C906	G2	R904	D2	R925	J1	R952	L2
C907	J2	R905	C2	R926	J1	R953	B2
C908	B2	R906	C2	R927	J1	R951	L2
C909	F1	R907	D2	R928	J1	RC901	H1
C910	G1	R908	F2	R929	J1	SW902	F1
C911	L1	R909	F2	R930	J1	SW903	F2
C912	G1	R910	G2	R931	J1	SW904	E1
C913	G2	R911	F1	R932	J1	SW905	D2
C9A1	G1	R912	L2	R933	I1	SW906	D2
CN901	C1	R913	L2	R934	I1	SW907	D1
CN902	N2	R914	K1	R935	I1	SW908	D1
DIG901	L1	R915	K1	R936	I1	SW909	E2
IC901	I2	R916	L1	R937	I1	SW910	C2
IC902	F2	R917	L1	R938	G2	SW911	B2
L901	B2	R918	L1	R940	C2	SW912	B2
Q901	L2	R919	L1	R941	B3	SW913	A2
Q902	L2	R920	K1	R942	B2	SW914	B2
R900	E2	R921	K1	R943	B2	SW915	B2
R901	E2	R922	K1	R944	A2	X901	G1

(Solder Side)

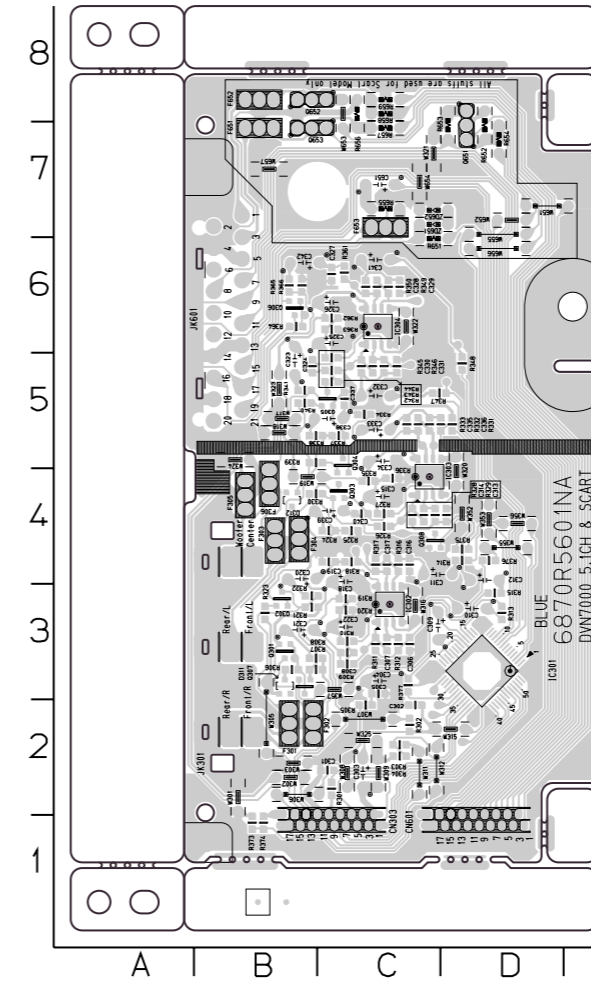
#### 4. SMPS P.C.BOARD



LOCATION GUIDE

BC101	D5	D104	D5	R101	D6
BD101	C6	D105	C4	R102	C5
C101	B4	D106	A3	R103	E5
C102	B5	D107	E3	R104	C5
C103	E5	D108	E3	R107	D5
C104	E3	D109	C3	R108	F5
C105	C5	D110	E3	R109	E5
C106	F4	D111	F2	R110	F5
C107	C6	F102	F3	R112	D5
C108	D5	F103	E3	R114	E2
C109	C5	F104	D2	R115	F2
C110	F5	FH101	A5	R116	F2
C112	B2	FH102	A5	R120	D1
C113	F4	IC101	D5	R121	D2
C115	C4	IC102	F4	R122	D2
C116	B3	IC103	D3	R123	A2
C118	A2	IC104	F3	R124	F3
C119	E5	IC105	A3	R125	F3
C120	E2	IC106	B2	R126	F3
C121	E2	J101	F3	R127	F2
C122	E3	L101	D5	R128	G3
C123	B3	L102	C2	R129	F3
C124	A3	L103	B3	R130	C2
C126	E5	L105	B3	R131	F2
C128	F3	P101	B1	R132	F2
C130	A2	P102	D1	R140	A2
C131	B2	PW101	A6	R142	E2
C137	A3	Q101	F3	R145	C1
D100	D5	Q102	F2	T101	D4
D101	C5	Q107	D2	V101	B4
D102	D3	Q108	D1	ZD101	F3
D103	C3	R100	B4	ZD102	F4

#### 5. 5.1CH P.C.BOARD (T533G/T533C/T513CT/T513C/T533AH)



LOCATION GUIDE

C303	C2
C304	C3
C309	C3
C310	D3
C311	C4
C312	D4
C315	C4
C318	C4
C320	B4
C321	B3
C322	C3
C323	B5
C325	C6
C326	C6
C332	C5
C333	C5
C334	C5
C338	C5
C339	C4
C341	C6
C342	B6
C651	C7
CN303	C1
CN601	D1
F301	B2
F302	B2
F303	B4
F304	B4
F305	B4
F306	B4
F651	B7
F652	B8
F653	C7
JK301	B3
JK601	B6
Q651	D7
Q652	B8
Q653	B7
R651	C6
R652	D7
R653	D7
R654	D7
R655	C7
R656	C8
R657	C7
R658	C8
R659	C8
ZD651	C7
ZD652	C7

(Solder Side)



# SECTION 4 MECHANISM OF DVD PART

## CONTENTS

---

### DECK MECHANISM PARTS LOCATIONS

- Top View.....4-1
- Top View(without Tray Disc) .....4-1
- Bottom View .....4-1

### DECK MECHANISM DISASSEMBLY

1. Holder Clamp.....4-2
  - 1-1. Clamp Assembly Disc.....4-2
    - 1-1-1. Plate Clamp .....4-2
    - 1-1-2. Magnet Clamp .....4-2
    - 1-1-3. Clamp Upper.....4-2
2. Tray Disc .....4-2
3. Base Assembly Sled .....4-3
  - 3-1. Gear Assembly Feed .....4-3
  - 3-2. Gear Assembly Middle.....4-3
  - 3-3. Gear Assembly Rack .....4-3
4. Rubber Rear.....4-3

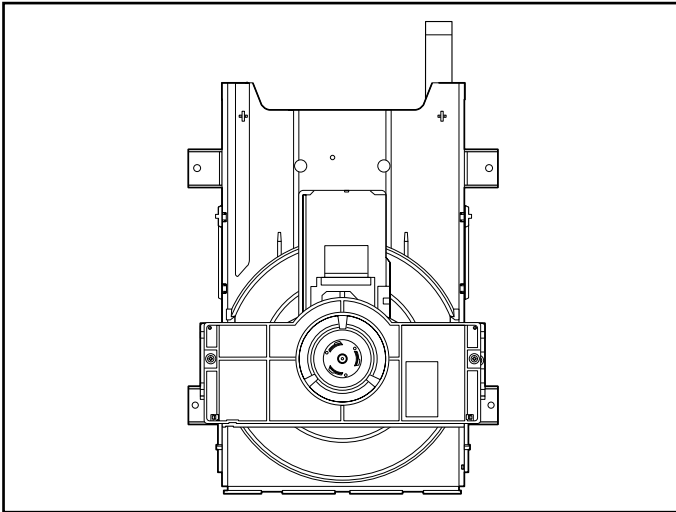
5. Frame Assembly Up/Down.....4-4
6. Belt Loading.....4-4
7. Gear Pulley .....4-4
8. Gear Loading .....4-4
9. Guide Up/Down.....4-4
10. PWB Assembly Loading .....4-4
11. Base Main.....4-4

### EXPLODED VIEW

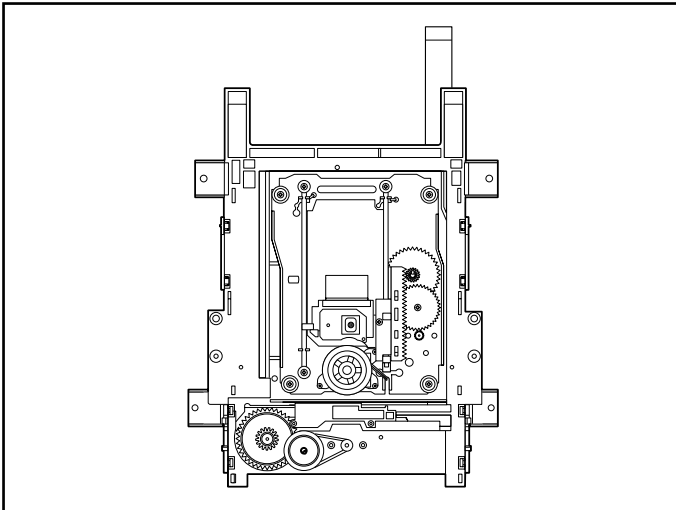
1. Deck Mechanism Exploded View....4-5
-

# DECK MECHANISM PARTS LOCATION

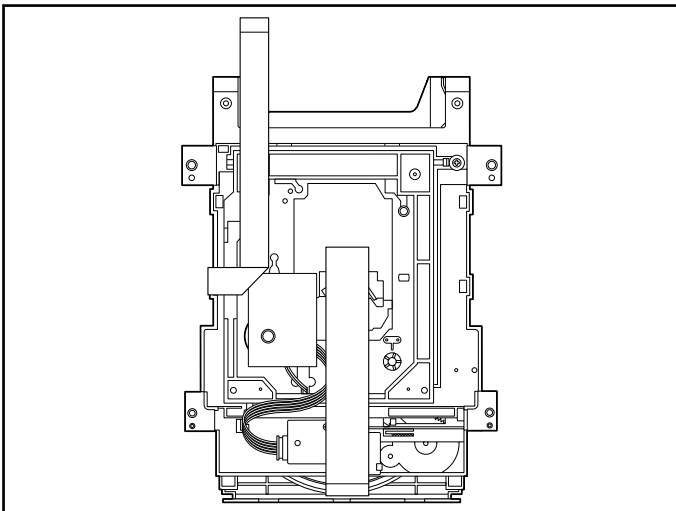
## • Top View (With Tray)



## • Top View (Without Tray)



## • Bottom View



Procedure		Parts	Fixing Type	Disassembly	Figure
Starting No.					
	1	Holder Clamp	2 Screws, 2 Locking Tabs		4-1
1	2	Clamp Assembly Disc			4-1
1, 2	3	Plate Clamp			4-1
1, 2, 3	4	Magnet Clamp			4-1
1, 2, 3, 4	5	Clamp Upper			4-1
1	6	Tray Disc			4-2
1, 6	7	Base Assembly Sled	4 Screws,		4-3
1, 2, 6	8	Gear Assembly Feed			4-3
1, 2, 6, 8	9	Gear Middle			4-3
1, 2, 6, 8, 9	10	Gear Assembly Rack	1 Screw		4-3
1, 2, 7	11	Rubber Rear			4-3
1, 2, 7	12	Frame Assembly Up/Down	1 Screw	Bottom	4-4
1, 2	13	Belt Loading	1 Locking Tab		4-4
1, 2, 13	14	Gear Pulley			4-4
1, 2, 13, 14	15	Gear Loading	1 Locking Tab		4-4
1, 2, 7, 12, 13, 14	16	Guide Up/Down			4-4
1, 2, 13	17	PWB Assembly Loading	1 Locking Tab 1 Hook 2Screw	Bottom	4-4
1, 2, 7, 12, 13, 14, 15, 16, 17	18	Base Main			4-4

### Note

When reassembling, perform the procedure in reverse order.

The "Bottom" on Disassembly column of above Table indicates the part should be disassembled at the Bottom side.

# DECK MECHANISM DISASSEMBLY

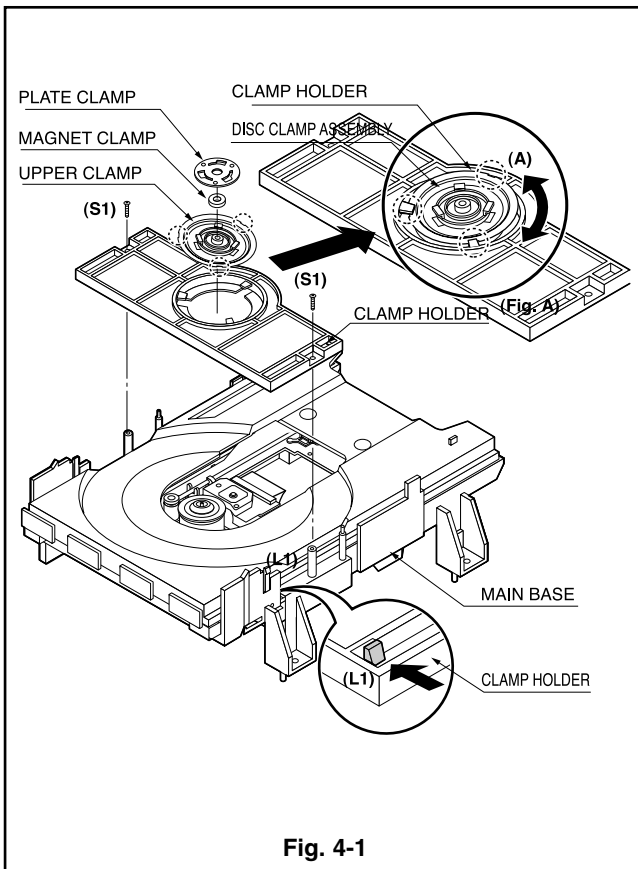


Fig. 4-1

## 1. Holder Clamp (Fig. 4-1)

- 1) Release 2 Screws(S1).
- 2) Unhook 2 Locking Tabs(L1).
- 3) Lift up the Holder Tabs and then separate it from the Base Main.

### 1-1. Clamp Assembly Disc

- 1) Place the Clamp Assembly Disc as Fig. (A)
- 2) Lift up the Clamp Assembly Disc in direction of arrow(A).
- 3) Separate the Clamp Assembly Disc from the Holder Clamp.

### 1-1-1. Plate Clamp

- 1) Turn the Plate Clamp to counterclockwise direction and then lift up the Plate Clamp.

### 1-1-2. Magnet Clamp

### 1-1-3. Clamp Upper

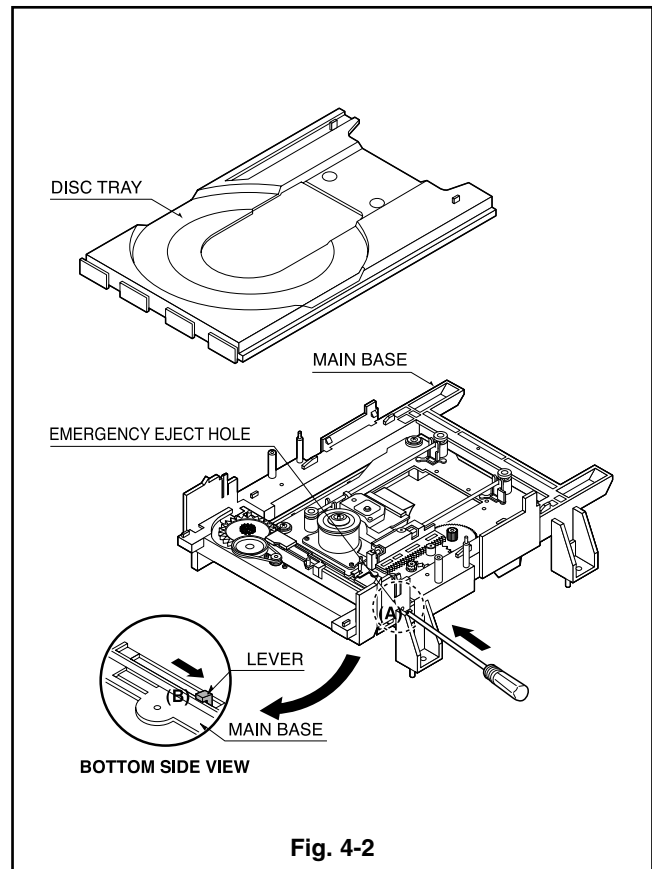


Fig. 4-2

## 2. Tray Disc (Fig. 4-2)

- 1) Insert and push a Driver in the emergency eject hole(A) at the right side, or put the Driver on the Lever(B) of the Gear Emergency and pull the Lever(B) in direction of arrow so that the Tray Disc is ejected about 15~20mm.
- 2) Pull the Tray Disc until it is separated from the Base Main completely.

# DECK MECHANISM DISASSEMBLY

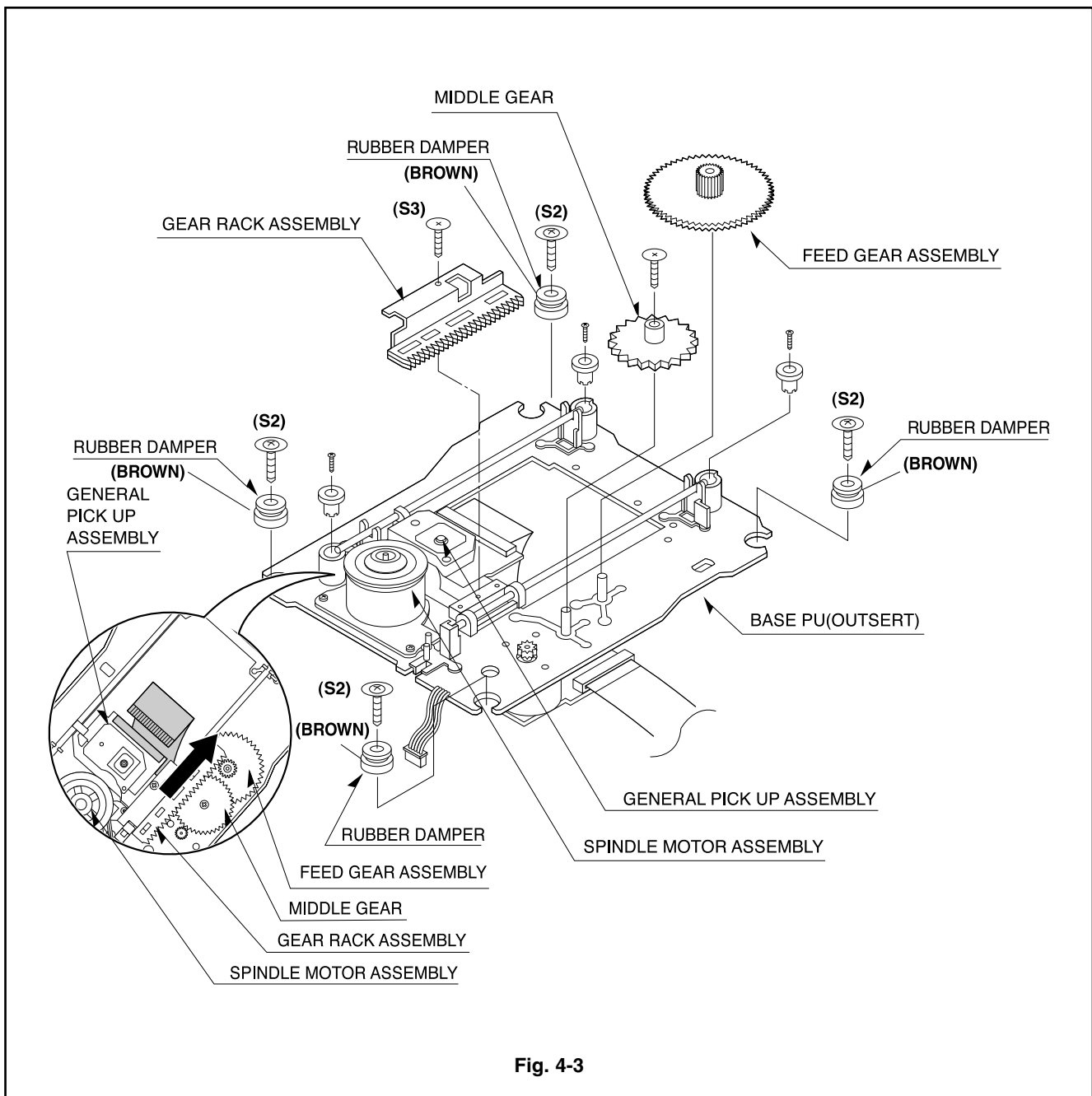


Fig. 4-3

### 3. Base Assembly Sled (Fig. 4-3)

- 1) Release 4 Screw(S2).
- 2) Disconnect the FFC Connector(C1)

#### 3-1. Gear Assembly Feed

#### 3-2. Gear Middle

### 3-3. Gear Assembly Rack

- 1) Release the Scerw(S3)

### 4. Rubber Rear (Fig. 4-3)

# DECK MECHANISM DISASSEMBLY

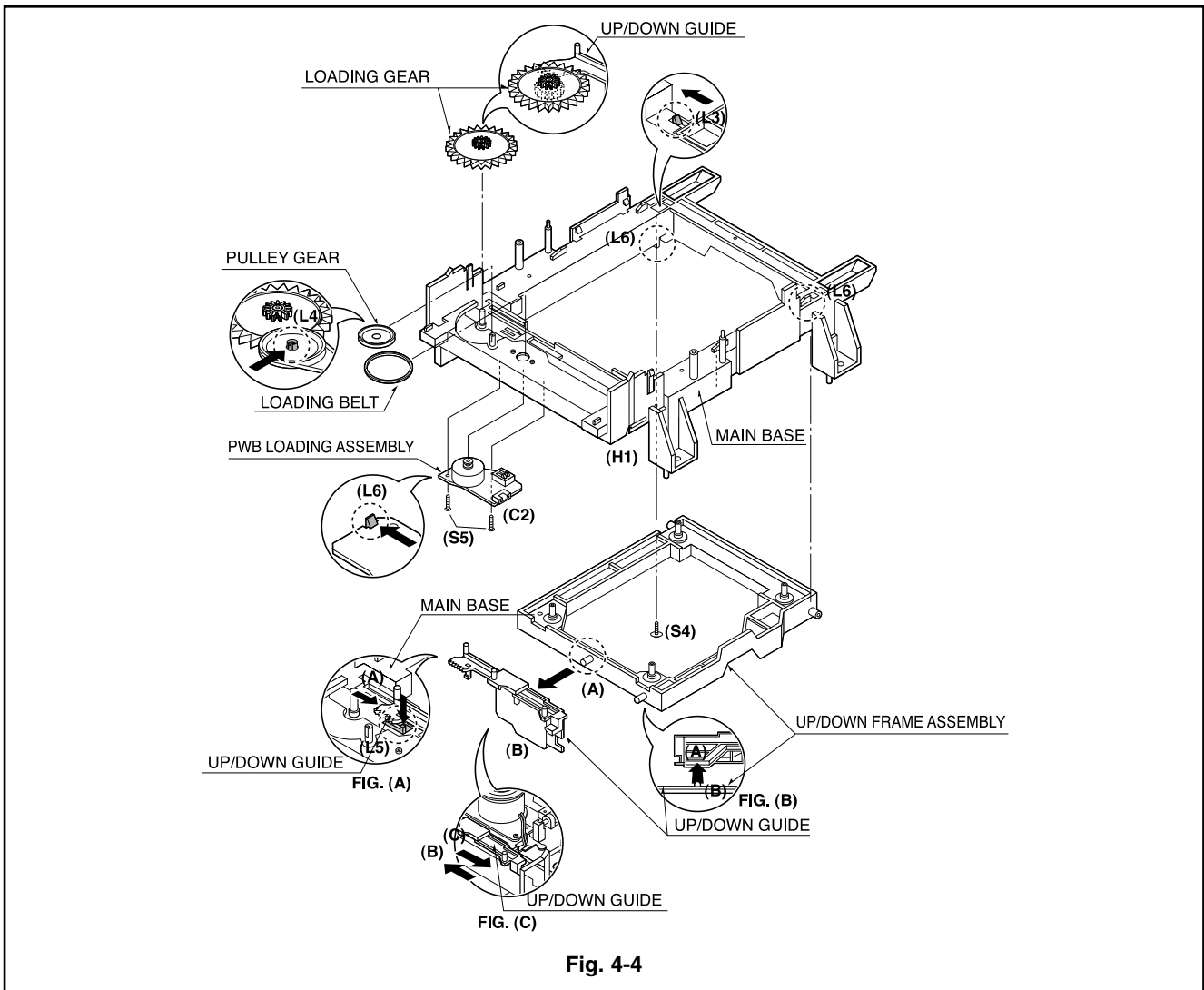


Fig. 4-4

## 5. Frame Assembly Up/Down (Fig. 4-4)

### Note

Put the Base Main face down(Bottom Side)

- 1) Release the Screw(S4)
- 2) Unlock the Locking Tab(L3) in direction of arrow and then lift up the Frame Assembly Up/Down to separate it from the Base Main.

### Note

- When reassembling move the Guide Up/Down in direction of arrow(C) until it is positioned as Fig.(C).
- When reassembling insert (A) portion of the Frame Assembly Up/Down in the (B) portion of the Guide Up/Down as Fig.(B)

## 6. Belt Loading(Fig. 4-4)

### Note

Put the Base Main on original position(Top Side)

## 7. Gear pulley (Fig. 4-4)

- 1) Unlock the Locking Tab(L4) in direction of arrow(B) and then separate the Gear Pulley from the Base Main.

## 8. Gear Loading (Fig. 4-4)

## 9. Guide Up/Down (Fig. 4-4)

- 1) Move the Guide Up/Down in direction of arrow(A) as Fig.(A)
- 2) Push the Locking Tab(L5) down and then lift up the Guide Up/Down to separate it from the Base Main.

### Note

When reassembling place the Guide Up/Down as Fig.(C) and move it in direction arrow(B) until it is locked by the Locking Tab(L5). And confirm the Guide Up/Down as Fig.(A)

## 10. PWB Assembly Loading (Fig. 4-4)

### Note

Put the Base Main face down(Bottom Side)

- 1) Release 2 Screws(S5)
- 2) Unlock the Loading Motor (C2) from the Hook (H1) on the Base Main.
- 3) Unlock 2 Locking Tabs(L6) and separate the PWB Assembly Loading from the Base Main.

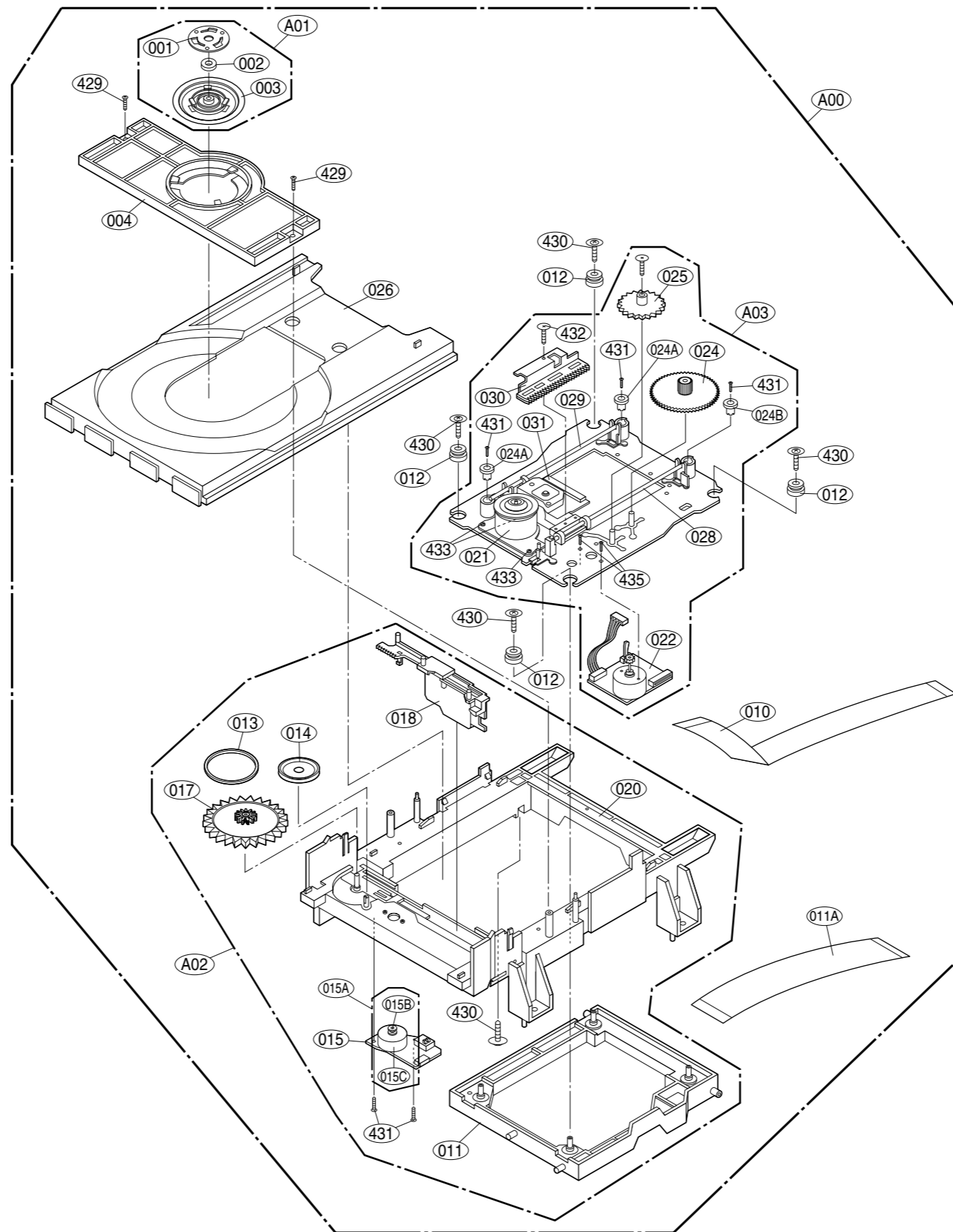
## 11. Base Main(Fig. 4-4)

# MEMO

A series of horizontal dotted lines for writing.


# EXPLODED VIEWS

## 1. Deck Mechanism Exploded View







NOTES)  Warning  
Parts that are shaded are critical  
With respect to risk of fire or  
electrical shock.

# SECTION 5 REPLACEMENT PARTS LIST

MODELS:(A)T533CT,(B)T533C,(C)T513CT,(D)T513C,(E)T533AH,(F)T513AH

RUN DATE:02.SEP.2003

## .MECHANICAL SECTION

NSP:Not Service Part

S	AL	LOCA.NO	PART NO(LG)	A	B	C	D	E	F	DESCRIPTION	SPECIFICATION	REMARKS
<b>ASSEMBLY PARTS SECTION</b>												
		A00	6721RH0370A	O	O	O	O	O	O	DECK ASSEMBLY,VIDEO	DECK/MECHA DP-7(55) MITSUMI GO	NSP
		A01	4861R-0016B	O	O	O	O	O	O	CLAMP ASSEMBLY	DISC DP7 - SH	
		A02	3041R-M003B	O	O	O	O	O	O	BASE ASSEMBLY	MAIN(DP-7R) - SH	
		A03	3041R-M002B	O	O	O	O	O	O	BASE ASSEMBLY	S LED DP7(MIT 502W-GOLD) - SH	
<b>PARTS SECTION</b>												
		001	3300R-0547A	O	O	O	O	O	O	PLATE	CLAMP	NSP
		002	5016H-1016B	O	O	O	O	O	O	MAGNET	CLAMP(LDM-R608,10*5,1*1.5T)	NSP
		003	4860R-0021A	O	O	O	O	O	O	CLAMP	UPPER DP7	NSP
		004	4930R-0365A	O	O	O	O	O	O	HOLDER	CLAMP DP7	
		010	6850R-GF10B	O	O	O	O	O	O	CABLE,FLAT	P=1.0 FFC UL2896(0.05X0.65) 6	
		011	3210R-M001A	O	O	O	O	O	O	FRAME	UP/DOWN DP7 MOLD	
		011A	6850R-JW24Y	O	O	O	O	O	O	CABLE,FLAT	P=1.0 FFC UL2896(0.035X0.7) 23	
		012	5040R-0075D	O	O	O	O	O	O	RUBBER	DAMPER DP7 (YAMAUCHI 30)	
		013	4400H-1009A	O	O	O	O	O	O	BELT	GM-RT1332A	
		014	4470R-0055A	O	O	O	O	O	O	GEAR	PULLEY	
		015	6871R-9248B	O	O	O	O	O	O	PWB(PCB) ASSEMBLY,TOTAL	DP7 LOADING - SH	
		015A	4681R-A003B	O	O	O	O	O	O	MOTOR ASSEMBLY	LOADING DP7 - SH	
		015B	4560R-0008A	O	O	O	O	O	O	PULLEY	MOTOR	
		015C	4680R-E007A	O	O	O	O	O	O	MOTOR(MECH)	FEEDING BCZ3B01 SANKYO FOR DVD	
		017	4470R-0056A	O	O	O	O	O	O	GEAR	LOADING	
		018	4974R-0046A	O	O	O	O	O	O	GUIDE	UP/DOWN(DP-7)	
		020	3040R-M004A	O	O	O	O	O	O	BASE	MAIN(DP7-55MM) MOLD	NSP
		021	4680R-C010A	O	O	O	O	O	O	MOTOR(MECH)	SPINDLE JCL9B78 SANKYO FOR DVD	
		022	4681R-B005B	O	O	O	O	O	O	MOTOR ASSEMBLY	FEEDING DP7 - SH	
		022A	4680R-E008A	O	O	O	O	O	O	MOTOR(MECH)	FEEDING RF-300EA-1D390 MABUCHI	
		023	4470R-0119A	O	O	O	O	O	O	GEAR	FEED MOTOR	
		024	4470R-0124A	O	O	O	O	O	O	GEAR	PINION DP7	
		024A	5006R-0040A	O	O	O	O	O	O	CAP	SKEW (T) DP7	
		024B	5006R-0039A	O	O	O	O	O	O	CAP	SKEW (R) DP7	
		025	4470R-0122A	O	O	O	O	O	O	GEAR	MIDDLE A DP7	
		026	3390R-0015A	O	O	O	O	O	O	TRAY	DISC DP7	
		027	4470R-0123A	O	O	O	O	O	O	GEAR	MIDDLE B DP7	
		028	4370R-0083A	O	O	O	O	O	O	SHAFT	DECK/MECHA DP7 OTHER PU-T	
		029	4370R-0075A	O	O	O	O	O	O	SHAFT	PU	
		030	4471R-0010A	O	O	O	O	O	O	GEAR ASSEMBLY	RACK DP7	
		031	6716DPH005A	O	O	O	O	O	O	PICK UP,DVD	PVR-502W MITSUMI PLAYER H/HIGH	
		032	6871R-9243B	O	O	O	O	O	O	PWB(PCB) ASSEMBLY,TOTAL	DP7 FEEDING - SH	
<b>SCREW</b>												
		430	1SZZR-0046A	O	O	O	O	O	O	SCREW,DRAWING	+ 1 D2.0 L6.0 SWRCH16A/FZY	
		431	1SZZH-1007B	O	O	O	O	O	O	SCREW,DRAWING	+ D2.0 6MM SWRCH16A/ZNBK 4MM 1	
		433	1SZZR-0050A	O	O	O	O	O	O	SCREW,DRAWING	+ 1 D2.0 L4.5 SWRCH16A/ZNY S-T	
		434	1SZZR-0023B	O	O	O	O	O	O	SCREW,DRAWING	+ 1 D1.7 L6.0 SWRCH16A/FZY RAC	
		435	1SZZR-0011A	O	O	O	O	O	O	SCREW,	MACHINE	
		436	1SZZR-0047A	O	O	O	O	O	O	SCREW,DRAWING	+ 1 D1.4 L4.5 SWRCH16A/FZY TAP	

S	AL	LOCA.NO	PART NO(LG)	A	B	C	D	E	F	DESCRIPTION	SPECIFICATION	REMARKS
<b>.CABINET &amp; MAIN FRAME SECTION</b>												
<b>ASSEMBLY PARTS SECTION</b>												
		A42	6871R-5698A	O	O	O	O	O	O	PWB(PCB) ASSEMBLY,TOTAL	DV7000S NAD KEY SH	
		A43	3501RF8218A						O	BOARD ASSEMBLY	DVD DVN7022NM_HA1UNN GRAY	
		A43	3501RF8218B						O	BOARD ASSEMBLY	DVD DVN7042NDM_HA1UNN GRAY	
		A43	3501RF8218C					O		BOARD ASSEMBLY	DVD DVN7072EM_HA62NN GRAY	
		A43	3501RF8218D		O					BOARD ASSEMBLY	DVD DVN7062EDM_HA6ENN GRAY	
		A43	3501RF8218E			O				BOARD ASSEMBLY	DVD DVN7072EM_HA6ENN TITANIUM	
		A43	3501RF8218F	O						BOARD ASSEMBLY	DVD DVN7062EDM_HA6ENN TITANIUM	
		A44	3141R-D011V						O	CHASSIS ASSEMBLY	DVN7022NM NAD_ONLY	NSP
		A44	3141R-D011W			O	O			CHASSIS ASSEMBLY	DVN7022EM NAD_ONLY	NSP
		A44	3141R-D011X					O		CHASSIS ASSEMBLY	DVN7042NM NAD_ONLY	NSP
		A44	3141R-D011Y	O	O					CHASSIS ASSEMBLY	DVN7042EM NAD_ONLY	NSP
		A46	6871R-7700J						O	PWB(PCB) ASSEMBLY,TOTAL	DVN7022NM MAIN SH	
		A46	6885R-1015R						O	SUB PWB(PCB) ASSEMBLY	DVN7042NDM HA1UNN	
		A46	6885R-1015S						O	SUB PWB(PCB) ASSEMBLY	DVN7022NM HA1UNN	
		A46	6885R-1015T			O				SUB PWB(PCB) ASSEMBLY	DVN7072EM HA6ENNT	
		A46	6885R-1015U				O			SUB PWB(PCB) ASSEMBLY	DVN7072EM HA6ENN	
		A46	6885R-1015V	O						SUB PWB(PCB) ASSEMBLY	DVN7062EDM HA6ENNT	
		A46	6885R-1015Q		O					SUB PWB(PCB) ASSEMBLY	DVN7062EDM HA6ENN	
		A47	6871R-7605Q						O	PWB(PCB) ASSEMBLY,TOTAL	DV7000S NAD SMPS SH 110V(UL)	
		A47	6871R-7605R	O		O	O			PWB(PCB) ASSEMBLY,TOTAL	DV7000S NAD SMPS SH 220V(CE)	
		A47	6871R-7605Q						O	PWB(PCB) ASSEMBLY,TOTAL	DV7000S NAD SMPS SH 110V(UL)	
		A47	6871R-7605R		O					PWB(PCB) ASSEMBLY,TOTAL	DV7000S NAD SMPS SH 220V(CE)	
		A48	6871R-7601F	O						PWB(PCB) ASSEMBLY,TOTAL	DV7000S NAD 5.1CH/SCART SH	
		A48	6871R-7601G			O	O			PWB(PCB) ASSEMBLY,TOTAL	DV7000S NAD SCART SH	
		A48	6871R-7601F		O					PWB(PCB) ASSEMBLY,TOTAL	DV7000S NAD 5.1CH/SCART SH	
		A48	6871R-7601H						O	PWB(PCB) ASSEMBLY,TOTAL	DVN7042NDM NAD 5.1CH SH	
		A49	6871R-5697B	O	O	O	O			PWB(PCB) ASSEMBLY,TOTAL	DV7000S NAD TIMER SH	
<b>PARTS SECTION</b>												
		250	3110R-D012A		O		O	O	O	CASE	NAD_03_(D423G 55MM) PRESS	
		250	3110R-D012B	O		O				CASE	NAD_03(A288G 55MM) PRESS	
		260	3140R-D002A	O	O	O	O			CHASSIS	DV7000 PRESS MAIN	NSP
		260	3140R-D002B						O	CHASSIS	DV7000 PRESS WITH FOOT	NSP
		260	3140R-D002B						O	CHASSIS	DV7000 PRESS WITH FOOT	NSP
		261	5040R-0069K	O	O	O	O	O	O	RUBBER	DVD CUSTION_NAD OTHER	
		280	3721R-F806A						O	PANEL ASSEMBLY,FRONT	DVD DVN7022NM_HA1UNN GRAY	
		280	3721R-F806B						O	PANEL ASSEMBLY,FRONT	DVD DVN7042NDM_HA1UNN GRAY	
		280	3721R-F806C					O		PANEL ASSEMBLY,FRONT	DVD DVN7072EM_HA6ENN GRAY	
		280	3721R-F806D		O					PANEL ASSEMBLY,FRONT	DVD DVN7062EM_HA6ENN GRAY	
		280	3721R-F806E			O				PANEL ASSEMBLY,FRONT	DVD DVN7072EM_HA6ENN TITANIUM	
		280	3721R-F806F	O						PANEL ASSEMBLY,FRONT	DVD DVN7062EM_HA6ENN TITANIUM	
		283	3580R-T113A				O		O	DOOR,CASE	DVD VIDEO MOLD D423G_GRAY	
		283	3580R-T113B			O				DOOR,CASE	DVD VIDEO MOLD A7616G_TITANIUM	
		283	3580R-T113C		O				O	DOOR,CASE	DVD AUDIO+VIDEO MOLD D423G_GRA	
		283	3580R-T113D	O						DOOR,CASE	DVD AUDIO+VIDEO MOLD A7616G_TI	
	⚠	300	6410RAHX02A					O	O	POWER CORD	SP-120P/JL001 CHAUS/JULIAN UL/	
	⚠	300	6410RCHX03A	O	O	O	O			POWER CORD	CE-503/JL201B H03VVH2-F 2X0.75	
		320	3720R-D085W			O	O			PANEL,VIDEO	DVD DV7022EM PRESS NAD_EUROPE	
		320	3720R-D085X						O	PANEL,VIDEO	CCD DVN7042NDM PRESS NAD_U.S.A	
		320	3720R-D085Y	O	O					PANEL,VIDEO	DVD DVN7042EDM PRESS NAD_EUROP	
		320	3720R-D085V						O	PANEL,VIDEO	DVD DVN7022NM PRESS NAD_U.S.A	
		332	4930R-0460A						O	HOLDER	DVD BUTTOM(FRONT) MOLD	
<b>SCREW</b>												
		452	353-051A					O		SCREW	SPECIAL	
		452	353-051A	O	O	O		O	O	SCREW	SPECIAL	
		463	353-051G						O	SCREW,DRAWING	+ 2 D3.0 L8.0 MSWR3/FN TB ROUN	
		463	353-051G		O		O	O		SCREW,DRAWING	+ 2 D3.0 L8.0 MSWR3/FN TB ROUN	
		463	353-051G	O		O				SCREW,DRAWING	+ 2 D3.0 L8.0 MSWR3/FN TB ROUN	

S	AL	LOCA.NO	PART NO(LG)	A	B	C	D	E	F	DESCRIPTION	SPECIFICATION	REMARKS
		465	353-046K						O	SCREW	SPECIAL (3X10 B.K)	
		465	353-046K						O	SCREW	SPECIAL (3X10 B.K)	
		465	353-046K			O	O			SCREW	SPECIAL (3X10 B.K)	
		465	353-046K	O	O					SCREW	SPECIAL (3X10 B.K)	
		467	353-046N	O	O	O	O	O	O	SCREW,DRAWING	SPECIAL(3X8 BK.)	
<b>.PACKING &amp; ACCESSORY SECTION</b>												
		801	3835RS0064B	O	O					INSTRUCTION ASSEMBLY	DVD DVN7062EDM HA6ENN	
		801	3835RS0064C						O	INSTRUCTION ASSEMBLY	DVD DVN7042NDM HA1UNN	
		801	3835RS0064D						O	INSTRUCTION ASSEMBLY	DVD DVN7022NM HA1UNN	
		801	3835RS0064F			O	O			INSTRUCTION ASSEMBLY	DVD DVN7072EM HA6ENN	
		802	3890R-H201J					O		BOX	DR4810PL AA6PLL SW3-A 1.276 4	
		802	3890R-H201P		O					BOX	DVN7062EDM HA6ENN SW2-E 0.893	
		802	3890R-H201Q						O	BOX	DVN7042NDM HA1UNN SW2-E 0.893	
		802	3890R-H201R						O	BOX	DVN7022NM HA1UNN SW2-E 0.893 3	
		802	3890R-H201S	O						BOX	DVN7072EM HA6ENNT SW2-E 0.893	
		802	3890R-H201S			O				BOX	DVN7072EM HA6ENNT SW2-E 0.893	
		803	3920R-E094A	O	O	O	O	O	O	PACKING,CASING	DVN7011EM 0.02 80 EPS 5 825 17	
		804	292-053B	O	O	O	O	O	O	BAG	SOFT(MIDI)	NSP
		808	841-0021	O	O	O	O	O	O	BATTERY,MN	ER03X HI WATT 1.5V .MA/H AAA	
		810	6851RP0003N	O	O	O	O	O	O	CABLE ASSY,RF	DVD CABLE ASSY,RCA USING AREA	
		811	6611R1G001A	O	O	O	O	O	O	PLUG ASSY	1WAY YELLOW GLOBAL	
		812	6611R2G001A	O	O	O	O	O	O	PLUG ASSY	2WAY RED/WHITE GLOBAL	
<b>.REMOTE CONTROL SECTION</b>												
		900	6711R2N124A	O	O	O	O	O	O	REMOTE CONTROLLER ASSEMBLY	NAD DVN7022NM HA1UNN NAD	

**ELECTRICAL SECTION**

S	AL	LOCA.NO	PART NO(LG)	A	B	C	D	E	F	DESCRIPTION	SPECIFICATION	REMARKS
		BC101	636-004C	0	0	0	0	0	0	FILTER(CIRC),EMC	BEAD CORE BFS3550R2FD8,R T/P	
		BD101	0DD160000DA	0	0	0	0	0	0	DIODE	S1WBA60(1A 600V) SHIDENKEN	
△		C101	624-088S	0	0	0	0	0	0	CAPACITOR,DRAWING	MPX104K ETR/EUROPTRONIC BULK	
		C102	624-088S	0	0	0	0	0	0	CAPACITOR,DRAWING	MPX104K ETR/EUROPTRONIC BULK	
		C103	0CE1076Q600						0	CAPACITOR,ELECTROLYTIC	100UF SMS 200V M W BULK	
		C103	0CE686CU611	0	0	0	0			CAPACITOR,AL,ELECTROLYTIC	68UF SHL,SD 400V M FL BK7.5	
		C104	624-085D	0	0	0	0	0	0	CAPACITOR	CE 47UF/50V KME (SMPS)	
		C106	0CE1064F638	0	0	0	0	0	0	CAPACITOR,ELECTROLYTIC	10M SRA 16V M FM5 TP(5)	
		C107	0CG2220U630	0	0	0	0	0	0	CAPACITOR,SEMI CERAMIC	2200 PF 400V M E R (NK,AD,SD)	
		C108	0CE4744K638	0	0	0	0	0	0	CAPACITOR,ELECTROLYTIC	0.47M SRA 50V M FM5 TP(5)	
		C109	0CE108BF630	0	0	0	0	0	0	CAPACITOR,FIXED ELECTROLYTIC	1000UF KME 16V M FM5 BULK	
		C110	0CN4730K948	0	0	0	0	0	0	CAPACITOR,FIXED TUBULAR(High d	0.047UF D 50V 80%,-20% F(Y5V)	
		C112	0CE3376D638	0	0	0	0	0	0	CAPACITOR,ELECTROLYTIC	330UF SMS 10V M FM5 TP5	
		C113	0CG1020U630	0	0	0	0	0	0	CAPACITOR,SEMI CERAMIC	1000PF 400V M E(Z5U) R	
		C115	0CE3366K638	0	0	0	0	0	0	CAPACITOR,FIXED ELECTROLYTIC	33UF SMS,SG 50V 20% FM5 TP 5	
		C116	0CE477BH630	0	0	0	0	0	0	CAPACITOR,AL,ELECTROLYTIC	470UF KME TYPE 25V M FM5 BULK	
		C118	0CE1074F638	0	0	0	0	0	0	CAPACITOR,ELECTROLYTIC	100U SRA 16V M FM5 TP(5)	
		C119	624-087G	0	0	0	0	0	0	CAPACITOR	HIGH-VOL 68PF/1KV SMPS SAMHWA	
		C120	0CE1074F638	0	0	0	0	0	0	CAPACITOR,ELECTROLYTIC	100U SRA 16V M FM5 TP(5)	
		C121	0CE2276F638	0	0	0	0	0	0	CAPACITOR,ELECTROLYTIC	220U SMS 16V M FM5 TP(5)	
		C122	624-085D	0	0	0	0	0	0	CAPACITOR	CE 47UF/50V KME (SMPS)	
		C123	0CE108BF630	0	0	0	0	0	0	CAPACITOR,FIXED ELECTROLYTIC	1000UF KME 16V M FM5 BULK	
		C124	0CE337CH618	0	0	0	0	0	0	CAPACITOR,FIXED ELECTROLYTIC	330UF SHL,SD 25V 20% FL TP 5	
		C126	0CQ1031Y519	0	0	0	0	0	0	CAPACITOR,POLYESTER	0.01UF D 630V K PE NI TP	
		C128	0CQ1042K409	0	0	0	0	0	0	CAPACITOR,FIXED FILM	0.1UF S 50V J PE TP	
		C130	0CE1074F638	0	0	0	0	0	0	CAPACITOR,ELECTROLYTIC	100U SRA 16V M FM5 TP(5)	
		C131	0CE1074F638	0	0	0	0	0	0	CAPACITOR,ELECTROLYTIC	100U SRA 16V M FM5 TP(5)	
		C137	0CE3376D638	0	0	0	0	0	0	CAPACITOR,ELECTROLYTIC	330UF SMS 10V M FM5 TP5	
		C201	0CH1104K942	0	0	0	0	0	0	CAPACITOR,CHIP[CERAMIC M/L HD	0.1UF 50V Z Y5V(F) 1508 R/TP	
		C202	0CH1104K942	0	0	0	0	0	0	CAPACITOR,CHIP[CERAMIC M/L HD	0.1UF 50V Z Y5V(F) 1508 R/TP	
		C203	0CH1104K942	0	0	0	0	0	0	CAPACITOR,CHIP[CERAMIC M/L HD	0.1UF 50V Z Y5V(F) 1508 R/TP	
		C206	0CE1074F638	0	0	0	0	0	0	CAPACITOR,ELECTROLYTIC	100U SRA 16V M FM5 TP(5)	
		C207	0CE4764F638	0	0	0	0	0	0	CAPACITOR,ELECTROLYTIC	47M SRA/SS 16V M FM5 TP(5)	
		C208	0CE4764F638	0	0	0	0	0	0	CAPACITOR,ELECTROLYTIC	47M SRA/SS 16V M FM5 TP(5)	
		C211	0CH1104K942	0	0	0	0	0	0	CAPACITOR,CHIP[CERAMIC M/L HD	0.1UF 50V Z Y5V(F) 1508 R/TP	
		C212	0CH1104K942	0	0	0	0	0	0	CAPACITOR,CHIP[CERAMIC M/L HD	0.1UF 50V Z Y5V(F) 1508 R/TP	
		C213	0CH1104K942	0	0	0	0	0	0	CAPACITOR,CHIP[CERAMIC M/L HD	0.1UF 50V Z Y5V(F) 1508 R/TP	
		C214	0CH1104K942	0	0	0	0	0	0	CAPACITOR,CHIP[CERAMIC M/L HD	0.1UF 50V Z Y5V(F) 1508 R/TP	
		C231	0CH1104K942	0	0	0	0	0	0	CAPACITOR,CHIP[CERAMIC M/L HD	0.1UF 50V Z Y5V(F) 1508 R/TP	
		C232	0CH1104K942	0	0	0	0	0	0	CAPACITOR,CHIP[CERAMIC M/L HD	0.1UF 50V Z Y5V(F) 1508 R/TP	
		C233	0CH1104K942	0	0	0	0	0	0	CAPACITOR,CHIP[CERAMIC M/L HD	0.1UF 50V Z Y5V(F) 1508 R/TP	
		C234	0CH1104K942	0	0	0	0	0	0	CAPACITOR,CHIP[CERAMIC M/L HD	0.1UF 50V Z Y5V(F) 1508 R/TP	
		C239	0CH1104K942	0	0	0	0	0	0	CAPACITOR,CHIP[CERAMIC M/L HD	0.1UF 50V Z Y5V(F) 1508 R/TP	
		C240	0CH1153K562	0	0	0	0	0	0	CAPACITOR,FIXED CERAMIC(Temp.c	0.015UF 50V 10% X7R(X) 1608 R/	
		C241	0CE4764F638	0	0	0	0	0	0	CAPACITOR,ELECTROLYTIC	47M SRA/SS 16V M FM5 TP(5)	
		C243	0CH4561K412	0	0	0	0	0	0	CAPACITOR,FIXED CERAMIC(High d	560PF 50V 5% NP0 1608 R/TP	
		C244	0CH4561K412	0	0	0	0	0	0	CAPACITOR,FIXED CERAMIC(High d	560PF 50V 5% NP0 1608 R/TP	
		C245	0CH1104K942	0	0	0	0	0	0	CAPACITOR,CHIP[CERAMIC M/L HD	0.1UF 50V Z Y5V(F) 1508 R/TP	
		C251	0CH1104K942	0	0	0	0	0	0	CAPACITOR,CHIP[CERAMIC M/L HD	0.1UF 50V Z Y5V(F) 1508 R/TP	
		C252	0CH1104K942	0	0	0	0	0	0	CAPACITOR,CHIP[CERAMIC M/L HD	0.1UF 50V Z Y5V(F) 1508 R/TP	
		C253	0CH1104K942	0	0	0	0	0	0	CAPACITOR,CHIP[CERAMIC M/L HD	0.1UF 50V Z Y5V(F) 1508 R/TP	
		C254	0CH1104K942	0	0	0	0	0	0	CAPACITOR,CHIP[CERAMIC M/L HD	0.1UF 50V Z Y5V(F) 1508 R/TP	
		C255	0CH1104K942	0	0	0	0	0	0	CAPACITOR,CHIP[CERAMIC M/L HD	0.1UF 50V Z Y5V(F) 1508 R/TP	
		C257	0CH1105D942	0	0	0	0	0	0	CAPACITOR,CHIP[CERAMIC M/L HD	1UF 10V Z Y5V(F) 1508 R/TP	
		C258	0CH1105D942	0	0	0	0	0	0	CAPACITOR,CHIP[CERAMIC M/L HD	1UF 10V Z Y5V(F) 1508 R/TP	
		C259	0CH1105D942	0	0	0	0	0	0	CAPACITOR,CHIP[CERAMIC M/L HD	1UF 10V Z Y5V(F) 1508 R/TP	
		C260	0CH1105D942	0	0	0	0	0	0	CAPACITOR,CHIP[CERAMIC M/L HD	1UF 10V Z Y5V(F) 1508 R/TP	

S	AL	LOCA.NO	PART NO(LG)	A	B	C	D	E	F	DESCRIPTION	SPECIFICATION	REMARKS
		C261	0CH1105D942	o	o	o	o	o	o	CAPACITOR,CHIP[CERAMIC M/L HD	1UF 10V Z Y5V(F) 1508 R/TP	
		C262	0CH1104K942	o	o	o	o	o	o	CAPACITOR,CHIP[CERAMIC M/L HD	0.1UF 50V Z Y5V(F) 1508 R/TP	
		C263	0CH1104K942	o	o	o	o	o	o	CAPACITOR,CHIP[CERAMIC M/L HD	0.1UF 50V Z Y5V(F) 1508 R/TP	
		C264	0CH1153K562	o	o	o	o	o	o	CAPACITOR,FIXED CERAMIC(Temp.c	0.015UF 50V 10% X7R(X) 1608 R/	
		C265	0CH1104K942	o	o	o	o	o	o	CAPACITOR,CHIP[CERAMIC M/L HD	0.1UF 50V Z Y5V(F) 1508 R/TP	
		C266	0CH1104K942	o	o	o	o	o	o	CAPACITOR,CHIP[CERAMIC M/L HD	0.1UF 50V Z Y5V(F) 1508 R/TP	
		C267	0CH1104K942	o	o	o	o	o	o	CAPACITOR,CHIP[CERAMIC M/L HD	0.1UF 50V Z Y5V(F) 1508 R/TP	
		C268	0CH1104K942	o	o	o	o	o	o	CAPACITOR,CHIP[CERAMIC M/L HD	0.1UF 50V Z Y5V(F) 1508 R/TP	
		C269	0CH1104K942	o	o	o	o	o	o	CAPACITOR,CHIP[CERAMIC M/L HD	0.1UF 50V Z Y5V(F) 1508 R/TP	
		C270	0CH1104K942	o	o	o	o	o	o	CAPACITOR,CHIP[CERAMIC M/L HD	0.1UF 50V Z Y5V(F) 1508 R/TP	
		C271	0CH4391K412	o	o	o	o	o	o	CAPACITOR,CHIP[CERAMIC M/L TC	390PF 50V J NP0 1508 R/TP	
		C272	0CH4391K412	o	o	o	o	o	o	CAPACITOR,CHIP[CERAMIC M/L TC	390PF 50V J NP0 1508 R/TP	
		C273	0CH1333K562	o	o	o	o	o	o	CAPACITOR,CHIP[CERAMIC M/L HD	0.033UF 50V K X7R(X) 1508 R/TP	
		C274	0CH4471K412	o	o	o	o	o	o	CAPACITOR,CHIP[CERAMIC M/L TC	470PF 50V J NP0 1508 R/TP	
		C276	0CH4100K112	o	o	o	o	o	o	CHIP CAPA CERAMIC M/L T.C F/S	10P 50V D COG 1.6X0.8 R/TP	
		C277	0CH1153K562	o	o	o	o	o	o	CAPACITOR,FIXED CERAMIC(Temp.c	0.015UF 50V 10% X7R(X) 1608 R/	
		C278	0CH4270K412	o	o	o	o	o	o	CAPACITOR,CHIP[CERAMIC M/L TC	27PF 50V J NP0 1608 R/TP	
		C279	0CH1104K942	o	o	o	o	o	o	CAPACITOR,CHIP[CERAMIC M/L HD	0.1UF 50V Z Y5V(F) 1508 R/TP	
		C280	0CH1104K942	o	o	o	o	o	o	CAPACITOR,CHIP[CERAMIC M/L HD	0.1UF 50V Z Y5V(F) 1508 R/TP	
		C281	0CH1104K942	o	o	o	o	o	o	CAPACITOR,CHIP[CERAMIC M/L HD	0.1UF 50V Z Y5V(F) 1508 R/TP	
		C282	0CH1104K942	o	o	o	o	o	o	CAPACITOR,CHIP[CERAMIC M/L HD	0.1UF 50V Z Y5V(F) 1508 R/TP	
		C283	0CH1104K942	o	o	o	o	o	o	CAPACITOR,CHIP[CERAMIC M/L HD	0.1UF 50V Z Y5V(F) 1508 R/TP	
		C291	0CE1074F638	o	o	o	o	o	o	CAPACITOR,ELECTROLYTIC	100U SRA 16V M FM5 TP(5)	
		C292	0CE4764F638	o	o	o	o	o	o	CAPACITOR,ELECTROLYTIC	47M SRA/SS 16V M FM5 TP(5)	
		C293	0CE4764F638	o	o	o	o	o	o	CAPACITOR,ELECTROLYTIC	47M SRA/SS 16V M FM5 TP(5)	
		C295	0CE1064F638	o	o	o	o	o	o	CAPACITOR,ELECTROLYTIC	10M SRA 16V M FM5 TP(5)	
		C2A1	0CH1104K942					o	o	CAPACITOR,CHIP[CERAMIC M/L HD	0.1UF 50V Z Y5V(F) 1508 R/TP	
		C2A2	0CH1104K942					o	o	CAPACITOR,CHIP[CERAMIC M/L HD	0.1UF 50V Z Y5V(F) 1508 R/TP	
		C302	0CH1104K946	o	o			o		CAPACITOR,FIXED CERAMIC(TEMP.C	0.1UF 2012 50V 80%,-20% Y5V(F)	
		C303	0CE1064F638	o	o			o		CAPACITOR,ELECTROLYTIC	10M SRA 16V M FM5 TP(5)	
		C304	0CE2274C638	o	o			o		CAPACITOR,ELECTROLYTIC	220M SRA 6.3V M FM5 TP(5)	
		C305	0CH1104K946	o	o			o		CAPACITOR,FIXED CERAMIC(TEMP.C	0.1UF 2012 50V 80%,-20% Y5V(F)	
		C306	0CH4102K406	o	o			o		CHIP CAPA CERAMIC M/L T.C F/S	1000P 50V J SL 2.0X1.2 R/TP	
		C307	0CH4101K416	o	o			o		CAPA,CHIP CERAMIC M/L T.C F/S	100P 50V J NP0 2.0*1.25 R/TP	
		C308	0CH1392K566	o	o			o		CAPACITOR,FIXED CERAMIC(Temp.c	3900P 50V K X7R 2.0X1.2 R/TP	
		C309	0CE1064F638	o	o			o		CAPACITOR,ELECTROLYTIC	10M SRA 16V M FM5 TP(5)	
		C310	0CE2264F638	o	o			o		CAPACITOR,ELECTROLYTIC	22M SRA 16V M FM5 TP(5)	
		C311	0CE1064F638	o	o			o		CAPACITOR,ELECTROLYTIC	10M SRA 16V M FM5 TP(5)	
		C312	0CE2264F638	o	o			o		CAPACITOR,ELECTROLYTIC	22M SRA 16V M FM5 TP(5)	
		C313	0CH4102K406	o	o			o		CHIP CAPA CERAMIC M/L T.C F/S	1000P 50V J SL 2.0X1.2 R/TP	
		C314	0CH4101K416	o	o			o		CAPA,CHIP CERAMIC M/L T.C F/S	100P 50V J NP0 2.0*1.25 R/TP	
		C315	0CE1064F638	o	o			o		CAPACITOR,ELECTROLYTIC	10M SRA 16V M FM5 TP(5)	
		C316	0CH4102K406	o	o			o		CHIP CAPA CERAMIC M/L T.C F/S	1000P 50V J SL 2.0X1.2 R/TP	
		C317	0CH4101K416	o	o			o		CAPA,CHIP CERAMIC M/L T.C F/S	100P 50V J NP0 2.0*1.25 R/TP	
		C318	0CE1064F638	o	o			o		CAPACITOR,ELECTROLYTIC	10M SRA 16V M FM5 TP(5)	
		C319	0CH1392K566	o	o			o		CAPACITOR,FIXED CERAMIC(Temp.c	3900P 50V K X7R 2.0X1.2 R/TP	
		C320	0CE1064F638	o	o			o		CAPACITOR,ELECTROLYTIC	10M SRA 16V M FM5 TP(5)	
		C321	0CE1064F638	o	o			o		CAPACITOR,ELECTROLYTIC	10M SRA 16V M FM5 TP(5)	
		C322	0CE1064F638	o	o			o		CAPACITOR,ELECTROLYTIC	10M SRA 16V M FM5 TP(5)	
		C323	0CE1064F638	o	o			o		CAPACITOR,ELECTROLYTIC	10M SRA 16V M FM5 TP(5)	
		C324	0CH1392K566	o	o			o		CAPACITOR,FIXED CERAMIC(Temp.c	3900P 50V K X7R 2.0X1.2 R/TP	
		C325	0CE1064F638	o	o			o		CAPACITOR,ELECTROLYTIC	10M SRA 16V M FM5 TP(5)	
		C326	0CE1064F638	o	o			o		CAPACITOR,ELECTROLYTIC	10M SRA 16V M FM5 TP(5)	
		C327	0CH1392K566	o	o			o		CAPACITOR,FIXED CERAMIC(Temp.c	3900P 50V K X7R 2.0X1.2 R/TP	
		C328	0CH4101K416	o	o			o		CAPA,CHIP CERAMIC M/L T.C F/S	100P 50V J NP0 2.0*1.25 R/TP	
		C329	0CH4102K406	o	o			o		CHIP CAPA CERAMIC M/L T.C F/S	1000P 50V J SL 2.0X1.2 R/TP	
		C330	0CH4101K416	o	o			o		CAPA,CHIP CERAMIC M/L T.C F/S	100P 50V J NP0 2.0*1.25 R/TP	
		C331	0CH4102K406	o	o			o		CHIP CAPA CERAMIC M/L T.C F/S	1000P 50V J SL 2.0X1.2 R/TP	
		C332	0CE1064F638	o	o			o		CAPACITOR,ELECTROLYTIC	10M SRA 16V M FM5 TP(5)	

S	AL	LOCA.NO	PART NO(LG)	A	B	C	D	E	F	DESCRIPTION	SPECIFICATION	REMARKS
		C333	0CE1064F638	O	O			O		CAPACITOR,ELECTROLYTIC	10M SRA 16V M FM5 TP(5)	
		C334	0CE1064F638	O	O			O		CAPACITOR,ELECTROLYTIC	10M SRA 16V M FM5 TP(5)	
		C335	0CH4101K416	O	O			O		CAPA,CHIP CERAMIC M/L T.C F/S	100P 50V J NP0 2.0*1.25 R/TP	
		C336	0CH4102K406	O	O			O		CHIP CAPA CERAMIC M/L T.C F/S	1000P 50V J SL 2.0X1.2 R/TP	
		C337	0CH1392K566	O	O			O		CAPACITOR,FIXED CERAMIC(Temp.c	3900P 50V K X7R 2.0X1.2 R/TP	
		C338	0CE1064F638	O	O			O		CAPACITOR,ELECTROLYTIC	10M SRA 16V M FM5 TP(5)	
		C339	0CE1064F638	O	O			O		CAPACITOR,ELECTROLYTIC	10M SRA 16V M FM5 TP(5)	
		C340	0CH1392K566	O	O			O		CAPACITOR,FIXED CERAMIC(Temp.c	3900P 50V K X7R 2.0X1.2 R/TP	
		C341	0CE2264F638	O	O			O		CAPACITOR,ELECTROLYTIC	22M SRA 16V M FM5 TP(5)	
		C342	0CE2264F638	O	O			O		CAPACITOR,ELECTROLYTIC	22M SRA 16V M FM5 TP(5)	
		C502	0CH1103K562			O	O	O	O	CAPACITOR,FIXED CERAMIC(Temp.c	0.01UF 50V 10% X7R(X) 1608 R/T	
		C502	0CH1103K562	O	O					CAPACITOR,FIXED CERAMIC(Temp.c	0.01UF 50V 10% X7R(X) 1608 R/T	
		C503	0CH1103K562			O	O	O	O	CAPACITOR,FIXED CERAMIC(Temp.c	0.01UF 50V 10% X7R(X) 1608 R/T	
		C503	0CH1103K562	O	O					CAPACITOR,FIXED CERAMIC(Temp.c	0.01UF 50V 10% X7R(X) 1608 R/T	
		C504	0CH1103K562			O	O	O	O	CAPACITOR,FIXED CERAMIC(Temp.c	0.01UF 50V 10% X7R(X) 1608 R/T	
		C504	0CH1103K562	O	O					CAPACITOR,FIXED CERAMIC(Temp.c	0.01UF 50V 10% X7R(X) 1608 R/T	
		C505	0CH1103K562			O	O	O	O	CAPACITOR,FIXED CERAMIC(Temp.c	0.01UF 50V 10% X7R(X) 1608 R/T	
		C505	0CH1103K562	O	O					CAPACITOR,FIXED CERAMIC(Temp.c	0.01UF 50V 10% X7R(X) 1608 R/T	
		C506	0CH4101K412			O	O	O	O	CHIP CAPA CERAMIC M/L T.C F/S	100P 50V J COG 1.6X0.8 R/TP	
		C506	0CH4101K412	O	O					CHIP CAPA CERAMIC M/L T.C F/S	100P 50V J COG 1.6X0.8 R/TP	
		C507	0CH1103K562			O	O	O	O	CAPACITOR,FIXED CERAMIC(Temp.c	0.01UF 50V 10% X7R(X) 1608 R/T	
		C507	0CH1103K562	O	O					CAPACITOR,FIXED CERAMIC(Temp.c	0.01UF 50V 10% X7R(X) 1608 R/T	
		C508	0CH1225F944			O	O	O	O	CAPACITOR,FIXED CERAMIC(Temp.c	2.2UF 16V 80%,-20% Y5V(F) 3216	
		C508	0CH1225F944	O	O					CAPACITOR,FIXED CERAMIC(Temp.c	2.2UF 16V 80%,-20% Y5V(F) 3216	
		C509	0CH1104K942			O	O	O	O	CAPACITOR,CHIP[CERAMIC M/L HD	0.1UF 50V Z Y5V(F) 1508 R/TP	
		C509	0CH1104K942	O	O					CAPACITOR,CHIP[CERAMIC M/L HD	0.1UF 50V Z Y5V(F) 1508 R/TP	
		C510	0CH4101K412			O	O	O	O	CHIP CAPA CERAMIC M/L T.C F/S	100P 50V J COG 1.6X0.8 R/TP	
		C510	0CH4101K412	O	O					CHIP CAPA CERAMIC M/L T.C F/S	100P 50V J COG 1.6X0.8 R/TP	
		C511	0CE4764F638	O	O	O	O	O	O	CAPACITOR,ELECTROLYTIC	47M SRA/SS 16V M FM5 TP(5)	
		C513	0CH1104K942			O	O	O	O	CAPACITOR,CHIP[CERAMIC M/L HD	0.1UF 50V Z Y5V(F) 1508 R/TP	
		C513	0CH1104K942	O	O					CAPACITOR,CHIP[CERAMIC M/L HD	0.1UF 50V Z Y5V(F) 1508 R/TP	
		C514	0CH1104K942			O	O	O	O	CAPACITOR,CHIP[CERAMIC M/L HD	0.1UF 50V Z Y5V(F) 1508 R/TP	
		C514	0CH1104K942	O	O					CAPACITOR,CHIP[CERAMIC M/L HD	0.1UF 50V Z Y5V(F) 1508 R/TP	
		C515	0CH1104K942			O	O	O	O	CAPACITOR,CHIP[CERAMIC M/L HD	0.1UF 50V Z Y5V(F) 1508 R/TP	
		C515	0CH1104K942	O	O					CAPACITOR,CHIP[CERAMIC M/L HD	0.1UF 50V Z Y5V(F) 1508 R/TP	
		C516	0CH1225F944			O	O	O	O	CAPACITOR,FIXED CERAMIC(Temp.c	2.2UF 16V 80%,-20% Y5V(F) 3216	
		C516	0CH1225F944	O	O					CAPACITOR,FIXED CERAMIC(Temp.c	2.2UF 16V 80%,-20% Y5V(F) 3216	
		C517	0CH1104K942			O	O	O	O	CAPACITOR,CHIP[CERAMIC M/L HD	0.1UF 50V Z Y5V(F) 1508 R/TP	
		C517	0CH1104K942	O	O					CAPACITOR,CHIP[CERAMIC M/L HD	0.1UF 50V Z Y5V(F) 1508 R/TP	
		C518	0CH1104K942			O	O	O	O	CAPACITOR,CHIP[CERAMIC M/L HD	0.1UF 50V Z Y5V(F) 1508 R/TP	
		C518	0CH1104K942	O	O					CAPACITOR,CHIP[CERAMIC M/L HD	0.1UF 50V Z Y5V(F) 1508 R/TP	
		C519	0CH1104K942			O	O	O	O	CAPACITOR,CHIP[CERAMIC M/L HD	0.1UF 50V Z Y5V(F) 1508 R/TP	
		C519	0CH1104K942	O	O					CAPACITOR,CHIP[CERAMIC M/L HD	0.1UF 50V Z Y5V(F) 1508 R/TP	
		C520	0CH1104K942			O	O	O	O	CAPACITOR,CHIP[CERAMIC M/L HD	0.1UF 50V Z Y5V(F) 1508 R/TP	
		C520	0CH1104K942	O	O					CAPACITOR,CHIP[CERAMIC M/L HD	0.1UF 50V Z Y5V(F) 1508 R/TP	
		C521	0CH1104K942			O	O	O	O	CAPACITOR,CHIP[CERAMIC M/L HD	0.1UF 50V Z Y5V(F) 1508 R/TP	
		C521	0CH1104K942	O	O					CAPACITOR,CHIP[CERAMIC M/L HD	0.1UF 50V Z Y5V(F) 1508 R/TP	
		C522	0CH1104K942			O	O	O	O	CAPACITOR,CHIP[CERAMIC M/L HD	0.1UF 50V Z Y5V(F) 1508 R/TP	
		C522	0CH1104K942	O	O					CAPACITOR,CHIP[CERAMIC M/L HD	0.1UF 50V Z Y5V(F) 1508 R/TP	
		C523	0CH1104K942			O	O	O	O	CAPACITOR,CHIP[CERAMIC M/L HD	0.1UF 50V Z Y5V(F) 1508 R/TP	
		C523	0CH1104K942	O	O					CAPACITOR,CHIP[CERAMIC M/L HD	0.1UF 50V Z Y5V(F) 1508 R/TP	
		C524	0CH1104K942			O	O	O	O	CAPACITOR,CHIP[CERAMIC M/L HD	0.1UF 50V Z Y5V(F) 1508 R/TP	
		C524	0CH1104K942	O	O					CAPACITOR,CHIP[CERAMIC M/L HD	0.1UF 50V Z Y5V(F) 1508 R/TP	
		C525	0CH1104K942			O	O	O	O	CAPACITOR,CHIP[CERAMIC M/L HD	0.1UF 50V Z Y5V(F) 1508 R/TP	
		C525	0CH1104K942	O	O					CAPACITOR,CHIP[CERAMIC M/L HD	0.1UF 50V Z Y5V(F) 1508 R/TP	
		C526	0CH1104K942			O	O	O	O	CAPACITOR,CHIP[CERAMIC M/L HD	0.1UF 50V Z Y5V(F) 1508 R/TP	
		C526	0CH1104K942	O	O					CAPACITOR,CHIP[CERAMIC M/L HD	0.1UF 50V Z Y5V(F) 1508 R/TP	
		C527	0CH1104K942			O	O	O	O	CAPACITOR,CHIP[CERAMIC M/L HD	0.1UF 50V Z Y5V(F) 1508 R/TP	
		C527	0CH1104K942	O	O					CAPACITOR,CHIP[CERAMIC M/L HD	0.1UF 50V Z Y5V(F) 1508 R/TP	

S	AL	LOCA.NO	PART NO(LG)	A	B	C	D	E	F	DESCRIPTION	SPECIFICATION	REMARKS
		C528	0CE4764F638	O	O	O	O	O	O	CAPACITOR,ELECTROLYTIC	47M SRA/SS 16V M FM5 TP(5)	
		C530	0CH1104K942			O	O	O	O	CAPACITOR,CHIP[CERAMIC M/L HD	0.1UF 50V Z Y5V(F) 1508 R/TP	
		C530	0CH1104K942	O	O					CAPACITOR,CHIP[CERAMIC M/L HD	0.1UF 50V Z Y5V(F) 1508 R/TP	
		C531	0CH1104K942			O	O	O	O	CAPACITOR,CHIP[CERAMIC M/L HD	0.1UF 50V Z Y5V(F) 1508 R/TP	
		C531	0CH1104K942	O	O					CAPACITOR,CHIP[CERAMIC M/L HD	0.1UF 50V Z Y5V(F) 1508 R/TP	
		C532	0CH1104K942			O	O	O	O	CAPACITOR,CHIP[CERAMIC M/L HD	0.1UF 50V Z Y5V(F) 1508 R/TP	
		C532	0CH1104K942	O	O					CAPACITOR,CHIP[CERAMIC M/L HD	0.1UF 50V Z Y5V(F) 1508 R/TP	
		C533	0CH4180K412			O	O	O	O	CAPACITOR,CHIP[CERAMIC M/L TC	18P 50V J COG 1.6X0.8 R/TP	
		C533	0CH4180K412	O	O					CAPACITOR,CHIP[CERAMIC M/L TC	18P 50V J COG 1.6X0.8 R/TP	
		C534	0CH4330K412			O	O	O	O	CAPACITOR,CHIP[CERAMIC M/L TC	33P 50V J COG 1.6X0.8 R/TP	
		C534	0CH4330K412	O	O					CAPACITOR,CHIP[CERAMIC M/L TC	33P 50V J COG 1.6X0.8 R/TP	
		C535	0CH1104K942			O	O	O	O	CAPACITOR,CHIP[CERAMIC M/L HD	0.1UF 50V Z Y5V(F) 1508 R/TP	
		C535	0CH1104K942	O	O					CAPACITOR,CHIP[CERAMIC M/L HD	0.1UF 50V Z Y5V(F) 1508 R/TP	
		C536	0CH1102K562			O	O	O	O	CAPACITOR,FIXED CERAMIC(Temp.c	1000PF 50V 10% X7R(X) 1608 R/T	
		C536	0CH1102K562	O	O					CAPACITOR,FIXED CERAMIC(Temp.c	1000PF 50V 10% X7R(X) 1608 R/T	
		C537	0CH1102K562			O	O	O	O	CAPACITOR,FIXED CERAMIC(Temp.c	1000PF 50V 10% X7R(X) 1608 R/T	
		C537	0CH1102K562	O	O					CAPACITOR,FIXED CERAMIC(Temp.c	1000PF 50V 10% X7R(X) 1608 R/T	
		C538	0CH1102K562			O	O	O	O	CAPACITOR,FIXED CERAMIC(Temp.c	1000PF 50V 10% X7R(X) 1608 R/T	
		C538	0CH1102K562	O	O					CAPACITOR,FIXED CERAMIC(Temp.c	1000PF 50V 10% X7R(X) 1608 R/T	
		C539	0CH1104K942			O	O	O	O	CAPACITOR,CHIP[CERAMIC M/L HD	0.1UF 50V Z Y5V(F) 1508 R/TP	
		C539	0CH1104K942	O	O					CAPACITOR,CHIP[CERAMIC M/L HD	0.1UF 50V Z Y5V(F) 1508 R/TP	
		C540	0CH1104K942			O	O	O	O	CAPACITOR,CHIP[CERAMIC M/L HD	0.1UF 50V Z Y5V(F) 1508 R/TP	
		C540	0CH1104K942	O	O					CAPACITOR,CHIP[CERAMIC M/L HD	0.1UF 50V Z Y5V(F) 1508 R/TP	
		C541	0CE1064F638	O	O	O	O	O	O	CAPACITOR,ELECTROLYTIC	10M SRA 16V M FM5 TP(5)	
		C542	0CH1104K942			O	O	O	O	CAPACITOR,CHIP[CERAMIC M/L HD	0.1UF 50V Z Y5V(F) 1508 R/TP	
		C542	0CH1104K942	O	O					CAPACITOR,CHIP[CERAMIC M/L HD	0.1UF 50V Z Y5V(F) 1508 R/TP	
		C543	0CE1064F638	O	O	O	O	O	O	CAPACITOR,ELECTROLYTIC	10M SRA 16V M FM5 TP(5)	
		C544	0CH1104K942			O	O	O	O	CAPACITOR,CHIP[CERAMIC M/L HD	0.1UF 50V Z Y5V(F) 1508 R/TP	
		C544	0CH1104K942	O	O					CAPACITOR,CHIP[CERAMIC M/L HD	0.1UF 50V Z Y5V(F) 1508 R/TP	
		C545	0CE1064F638	O	O	O	O	O	O	CAPACITOR,ELECTROLYTIC	10M SRA 16V M FM5 TP(5)	
		C554	0CH1104K942			O	O	O	O	CAPACITOR,CHIP[CERAMIC M/L HD	0.1UF 50V Z Y5V(F) 1508 R/TP	
		C554	0CH1104K942	O	O					CAPACITOR,CHIP[CERAMIC M/L HD	0.1UF 50V Z Y5V(F) 1508 R/TP	
		C556	0CH1104K942			O	O	O	O	CAPACITOR,CHIP[CERAMIC M/L HD	0.1UF 50V Z Y5V(F) 1508 R/TP	
		C556	0CH1104K942	O	O					CAPACITOR,CHIP[CERAMIC M/L HD	0.1UF 50V Z Y5V(F) 1508 R/TP	
		C557	0CH1104K942			O	O	O	O	CAPACITOR,CHIP[CERAMIC M/L HD	0.1UF 50V Z Y5V(F) 1508 R/TP	
		C557	0CH1104K942	O	O					CAPACITOR,CHIP[CERAMIC M/L HD	0.1UF 50V Z Y5V(F) 1508 R/TP	
		C558	0CH1104K942			O	O	O	O	CAPACITOR,CHIP[CERAMIC M/L HD	0.1UF 50V Z Y5V(F) 1508 R/TP	
		C558	0CH1104K942	O	O					CAPACITOR,CHIP[CERAMIC M/L HD	0.1UF 50V Z Y5V(F) 1508 R/TP	
		C559	0CH1104K942			O	O	O	O	CAPACITOR,CHIP[CERAMIC M/L HD	0.1UF 50V Z Y5V(F) 1508 R/TP	
		C559	0CH1104K942	O	O					CAPACITOR,CHIP[CERAMIC M/L HD	0.1UF 50V Z Y5V(F) 1508 R/TP	
		C560	0CH1104K942			O	O	O	O	CAPACITOR,CHIP[CERAMIC M/L HD	0.1UF 50V Z Y5V(F) 1508 R/TP	
		C560	0CH1104K942	O	O					CAPACITOR,CHIP[CERAMIC M/L HD	0.1UF 50V Z Y5V(F) 1508 R/TP	
		C561	0CH1104K942			O	O	O	O	CAPACITOR,CHIP[CERAMIC M/L HD	0.1UF 50V Z Y5V(F) 1508 R/TP	
		C561	0CH1104K942	O	O					CAPACITOR,CHIP[CERAMIC M/L HD	0.1UF 50V Z Y5V(F) 1508 R/TP	
		C563	0CE2274C638	O	O	O	O	O	O	CAPACITOR,ELECTROLYTIC	220M SRA 6.3V M FM5 TP(5)	
		C564	0CE2274C638	O	O	O	O	O	O	CAPACITOR,ELECTROLYTIC	220M SRA 6.3V M FM5 TP(5)	
		C565	0CH4221K412					O	O	CAPACITOR,CHIP[CERAMIC M/L TC	220P 50V J COG 1.6X0.8 R/TP	
		C566	0CH4221K412					O	O	CAPACITOR,CHIP[CERAMIC M/L TC	220P 50V J COG 1.6X0.8 R/TP	
		C567	0CH4221K412			O	O	O	O	CAPACITOR,CHIP[CERAMIC M/L TC	220P 50V J COG 1.6X0.8 R/TP	
		C567	0CH4221K412	O	O					CAPACITOR,CHIP[CERAMIC M/L TC	220P 50V J COG 1.6X0.8 R/TP	
		C568	0CH4221K412			O	O	O	O	CAPACITOR,CHIP[CERAMIC M/L TC	220P 50V J COG 1.6X0.8 R/TP	
		C568	0CH4221K412	O	O					CAPACITOR,CHIP[CERAMIC M/L TC	220P 50V J COG 1.6X0.8 R/TP	
		C569	0CH4221K412			O	O	O	O	CAPACITOR,CHIP[CERAMIC M/L TC	220P 50V J COG 1.6X0.8 R/TP	
		C569	0CH4221K412	O	O					CAPACITOR,CHIP[CERAMIC M/L TC	220P 50V J COG 1.6X0.8 R/TP	
		C575	0CH1104K942			O	O	O	O	CAPACITOR,CHIP[CERAMIC M/L HD	0.1UF 50V Z Y5V(F) 1508 R/TP	
		C575	0CH1104K942	O	O					CAPACITOR,CHIP[CERAMIC M/L HD	0.1UF 50V Z Y5V(F) 1508 R/TP	
		C576	0CH1104K942			O	O	O	O	CAPACITOR,CHIP[CERAMIC M/L HD	0.1UF 50V Z Y5V(F) 1508 R/TP	
		C576	0CH1104K942	O	O					CAPACITOR,CHIP[CERAMIC M/L HD	0.1UF 50V Z Y5V(F) 1508 R/TP	
		C577	0CH1104K942			O	O	O	O	CAPACITOR,CHIP[CERAMIC M/L HD	0.1UF 50V Z Y5V(F) 1508 R/TP	

S	AL	LOCA.NO	PART NO(LG)	A	B	C	D	E	F	DESCRIPTION	SPECIFICATION	REMARKS
		C577	0CH1104K942	O	O					CAPACITOR,CHIP[CERAMIC M/L HD	0.1UF 50V Z Y5V(F) 1508 R/TP	
		C578	0CH1104K942			O	O	O	O	CAPACITOR,CHIP[CERAMIC M/L HD	0.1UF 50V Z Y5V(F) 1508 R/TP	
		C578	0CH1104K942	O	O					CAPACITOR,CHIP[CERAMIC M/L HD	0.1UF 50V Z Y5V(F) 1508 R/TP	
		C579	0CH1104K942			O	O	O	O	CAPACITOR,CHIP[CERAMIC M/L HD	0.1UF 50V Z Y5V(F) 1508 R/TP	
		C579	0CH1104K942	O	O					CAPACITOR,CHIP[CERAMIC M/L HD	0.1UF 50V Z Y5V(F) 1508 R/TP	
		C580	0CH1104K942			O	O	O	O	CAPACITOR,CHIP[CERAMIC M/L HD	0.1UF 50V Z Y5V(F) 1508 R/TP	
		C580	0CH1104K942	O	O					CAPACITOR,CHIP[CERAMIC M/L HD	0.1UF 50V Z Y5V(F) 1508 R/TP	
		C581	0CH1104K942			O	O	O	O	CAPACITOR,CHIP[CERAMIC M/L HD	0.1UF 50V Z Y5V(F) 1508 R/TP	
		C581	0CH1104K942	O	O					CAPACITOR,CHIP[CERAMIC M/L HD	0.1UF 50V Z Y5V(F) 1508 R/TP	
		C582	0CH1104K942			O	O	O	O	CAPACITOR,CHIP[CERAMIC M/L HD	0.1UF 50V Z Y5V(F) 1508 R/TP	
		C582	0CH1104K942	O	O					CAPACITOR,CHIP[CERAMIC M/L HD	0.1UF 50V Z Y5V(F) 1508 R/TP	
		C583	0CE2274C638	O	O	O	O	O	O	CAPACITOR,ELECTROLYTIC	220M SRA 6.3V M FM5 TP(5)	
		C589	0CH1104K942			O	O	O	O	CAPACITOR,CHIP[CERAMIC M/L HD	0.1UF 50V Z Y5V(F) 1508 R/TP	
		C589	0CH1104K942	O	O					CAPACITOR,CHIP[CERAMIC M/L HD	0.1UF 50V Z Y5V(F) 1508 R/TP	
		C592	0CH1104K942			O	O	O	O	CAPACITOR,CHIP[CERAMIC M/L HD	0.1UF 50V Z Y5V(F) 1508 R/TP	
		C592	0CH1104K942	O	O					CAPACITOR,CHIP[CERAMIC M/L HD	0.1UF 50V Z Y5V(F) 1508 R/TP	
		C596	0CH1104K942			O	O	O	O	CAPACITOR,CHIP[CERAMIC M/L HD	0.1UF 50V Z Y5V(F) 1508 R/TP	
		C596	0CH1104K942	O	O					CAPACITOR,CHIP[CERAMIC M/L HD	0.1UF 50V Z Y5V(F) 1508 R/TP	
		C597	0CH4470K412			O	O	O	O	CAPA,CHIP CERAMIC M/L T.C F/S	47P 50V J COG 1.6X0.8 R/TP	
		C597	0CH4470K412	O	O					CAPA,CHIP CERAMIC M/L T.C F/S	47P 50V J COG 1.6X0.8 R/TP	
		C5A1	0CE1064F638	O	O	O	O	O	O	CAPACITOR,ELECTROLYTIC	10M SRA 16V M FM5 TP(5)	
		C5A2	0CH1104K942			O	O	O	O	CAPACITOR,CHIP[CERAMIC M/L HD	0.1UF 50V Z Y5V(F) 1508 R/TP	
		C5A2	0CH1104K942	O	O					CAPACITOR,CHIP[CERAMIC M/L HD	0.1UF 50V Z Y5V(F) 1508 R/TP	
		C5A3	0CH4221K412			O	O	O	O	CAPACITOR,CHIP[CERAMIC M/L TC	220P 50V J COG 1.6X0.8 R/TP	
		C5A3	0CH4221K412	O	O					CAPACITOR,CHIP[CERAMIC M/L TC	220P 50V J COG 1.6X0.8 R/TP	
		C5A4	0CH1104K942			O	O	O	O	CAPACITOR,CHIP[CERAMIC M/L HD	0.1UF 50V Z Y5V(F) 1508 R/TP	
		C5A4	0CH1104K942	O	O					CAPACITOR,CHIP[CERAMIC M/L HD	0.1UF 50V Z Y5V(F) 1508 R/TP	
		C5A5	0CH1104K942			O	O	O	O	CAPACITOR,CHIP[CERAMIC M/L HD	0.1UF 50V Z Y5V(F) 1508 R/TP	
		C5A5	0CH1104K942	O	O					CAPACITOR,CHIP[CERAMIC M/L HD	0.1UF 50V Z Y5V(F) 1508 R/TP	
		C5A6	0CH1104K942			O	O	O	O	CAPACITOR,CHIP[CERAMIC M/L HD	0.1UF 50V Z Y5V(F) 1508 R/TP	
		C5A6	0CH1104K942	O	O					CAPACITOR,CHIP[CERAMIC M/L HD	0.1UF 50V Z Y5V(F) 1508 R/TP	
		C5A7	0CH1104K942			O	O	O	O	CAPACITOR,CHIP[CERAMIC M/L HD	0.1UF 50V Z Y5V(F) 1508 R/TP	
		C5A7	0CH1104K942	O	O					CAPACITOR,CHIP[CERAMIC M/L HD	0.1UF 50V Z Y5V(F) 1508 R/TP	
		C5A8	0CH1104K942			O	O	O	O	CAPACITOR,CHIP[CERAMIC M/L HD	0.1UF 50V Z Y5V(F) 1508 R/TP	
		C5A8	0CH1104K942	O	O					CAPACITOR,CHIP[CERAMIC M/L HD	0.1UF 50V Z Y5V(F) 1508 R/TP	
		C5A9	0CH1104K942					O	O	CAPACITOR,CHIP[CERAMIC M/L HD	0.1UF 50V Z Y5V(F) 1508 R/TP	
		C5D1	0CE2274C638	O	O	O	O	O	O	CAPACITOR,ELECTROLYTIC	220M SRA 6.3V M FM5 TP(5)	
		C600	0CH1104K942	O	O					CAPACITOR,CHIP[CERAMIC M/L HD	0.1UF 50V Z Y5V(F) 1508 R/TP	
		C600	0CH1104K942			O	O	O	O	CAPACITOR,CHIP[CERAMIC M/L HD	0.1UF 50V Z Y5V(F) 1508 R/TP	
		C601	0CE4764F638	O	O	O	O	O	O	CAPACITOR,ELECTROLYTIC	47M SRA/SS 16V M FM5 TP(5)	
		C603	0CH1104K942	O	O					CAPACITOR,CHIP[CERAMIC M/L HD	0.1UF 50V Z Y5V(F) 1508 R/TP	
		C603	0CH1104K942			O	O	O	O	CAPACITOR,CHIP[CERAMIC M/L HD	0.1UF 50V Z Y5V(F) 1508 R/TP	
		C604	0CH1105D942	O	O					CAPACITOR,CHIP[CERAMIC M/L HD	1UF 10V Z Y5V(F) 1508 R/TP	
		C604	0CH1105D942			O	O	O	O	CAPACITOR,CHIP[CERAMIC M/L HD	1UF 10V Z Y5V(F) 1508 R/TP	
		C605	0CH1105D942	O	O					CAPACITOR,CHIP[CERAMIC M/L HD	1UF 10V Z Y5V(F) 1508 R/TP	
		C605	0CH1105D942			O	O	O	O	CAPACITOR,CHIP[CERAMIC M/L HD	1UF 10V Z Y5V(F) 1508 R/TP	
		C606	0CH1104K942	O	O					CAPACITOR,CHIP[CERAMIC M/L HD	0.1UF 50V Z Y5V(F) 1508 R/TP	
		C606	0CH1104K942			O	O	O	O	CAPACITOR,CHIP[CERAMIC M/L HD	0.1UF 50V Z Y5V(F) 1508 R/TP	
		C607	0CE4764F638	O	O	O	O	O	O	CAPACITOR,ELECTROLYTIC	47M SRA/SS 16V M FM5 TP(5)	
		C608	0CE2264F638	O	O	O	O	O	O	CAPACITOR,ELECTROLYTIC	22M SRA 16V M FM5 TP(5)	
		C609	0CH1102K562	O	O					CAPACITOR,FIXED CERAMIC(Temp.c	1000PF 50V 10% X7R(X) 1608 R/T	
		C609	0CH1102K562			O	O	O	O	CAPACITOR,FIXED CERAMIC(Temp.c	1000PF 50V 10% X7R(X) 1608 R/T	
		C610	0CH4271K412	O	O					CAPACITOR,FIXED CERAMIC(HIGH D	270PF 50V 5% NP0 1608 R/TP	
		C610	0CH4271K412			O	O	O	O	CAPACITOR,FIXED CERAMIC(HIGH D	270PF 50V 5% NP0 1608 R/TP	
		C611	0CH4271K412	O	O					CAPACITOR,FIXED CERAMIC(HIGH D	270PF 50V 5% NP0 1608 R/TP	
		C611	0CH4271K412			O	O	O	O	CAPACITOR,FIXED CERAMIC(HIGH D	270PF 50V 5% NP0 1608 R/TP	
		C612	0CE4764F638	O	O	O	O	O	O	CAPACITOR,ELECTROLYTIC	47M SRA/SS 16V M FM5 TP(5)	
		C613	0CH4271K412	O	O					CAPACITOR,FIXED CERAMIC(HIGH D	270PF 50V 5% NP0 1608 R/TP	
		C613	0CH4271K412			O	O	O	O	CAPACITOR,FIXED CERAMIC(HIGH D	270PF 50V 5% NP0 1608 R/TP	



S	AL	LOCA.NO	PART NO(LG)	A	B	C	D	E	F	DESCRIPTION	SPECIFICATION	REMARKS
		C614	0CH4271K412	O	O				O	CAPACITOR,FIXED CERAMIC(HIGH D	270PF 50V 5% NP0 1608 R/TP	
		C614	0CH4271K412			O	O	O		CAPACITOR,FIXED CERAMIC(HIGH D	270PF 50V 5% NP0 1608 R/TP	
		C615	0CH1102K562	O	O				O	CAPACITOR,FIXED CERAMIC(Temp.c	1000PF 50V 10% X7R(X) 1608 R/T	
		C615	0CH1102K562			O	O	O		CAPACITOR,FIXED CERAMIC(Temp.c	1000PF 50V 10% X7R(X) 1608 R/T	
		C616	0CE4764F638	O	O	O	O	O	O	CAPACITOR,ELECTROLYTIC	47M SRA/SS 16V M FM5 TP(5)	
		C617	0CE4764F638	O	O	O	O	O	O	CAPACITOR,ELECTROLYTIC	47M SRA/SS 16V M FM5 TP(5)	
		C618	0CH1104K942	O	O				O	CAPACITOR,CHIP[CERAMIC M/L HD	0.1UF 50V Z Y5V(F) 1508 R/TP	
		C618	0CH1104K942			O	O	O		CAPACITOR,CHIP[CERAMIC M/L HD	0.1UF 50V Z Y5V(F) 1508 R/TP	
		C619	0CE1074F638	O	O	O	O	O	O	CAPACITOR,ELECTROLYTIC	100U SRA 16V M FM5 TP(5)	
		C620	0CE4764F638	O	O	O	O	O	O	CAPACITOR,ELECTROLYTIC	47M SRA/SS 16V M FM5 TP(5)	
		C621	0CE2274F638	O	O	O	O	O	O	CAPACITOR,FIXED ELECTROLYTIC	220UF SRA,SS 16V 20% FM5 TP 5	
		C622	0CE4764F638	O	O	O	O	O	O	CAPACITOR,ELECTROLYTIC	47M SRA/SS 16V M FM5 TP(5)	
		C623	0CH1392K562	O	O				O	CAPACITOR,FIXED CERAMIC(Temp.c	3900PF 50V K Z5U(E) 1608 R/TP	
		C623	0CH1392K562			O	O	O		CAPACITOR,FIXED CERAMIC(Temp.c	3900PF 50V K Z5U(E) 1608 R/TP	
		C624	0CH1392K562	O	O				O	CAPACITOR,FIXED CERAMIC(Temp.c	3900PF 50V K Z5U(E) 1608 R/TP	
		C624	0CH1392K562			O	O	O		CAPACITOR,FIXED CERAMIC(Temp.c	3900PF 50V K Z5U(E) 1608 R/TP	
		C628	0CE1054K638	O	O	O	O	O	O	CAPACITOR,ELECTROLYTIC	1.0M SRA/SS50V M FM5 TP(5)	
		C629	0CE1054K638	O	O	O	O	O	O	CAPACITOR,ELECTROLYTIC	1.0M SRA/SS50V M FM5 TP(5)	
		C630	0CE1054K638	O	O	O	O	O	O	CAPACITOR,ELECTROLYTIC	1.0M SRA/SS50V M FM5 TP(5)	
		C631	0CE1054K638	O	O	O	O	O	O	CAPACITOR,ELECTROLYTIC	1.0M SRA/SS50V M FM5 TP(5)	
		C632	0CE1054K638	O	O	O	O	O	O	CAPACITOR,ELECTROLYTIC	1.0M SRA/SS50V M FM5 TP(5)	
		C633	0CH1104K942	O	O				O	CAPACITOR,CHIP[CERAMIC M/L HD	0.1UF 50V Z Y5V(F) 1508 R/TP	
		C633	0CH1104K942			O	O	O		CAPACITOR,CHIP[CERAMIC M/L HD	0.1UF 50V Z Y5V(F) 1508 R/TP	
		C634	0CE2264F638	O	O	O	O	O	O	CAPACITOR,ELECTROLYTIC	22M SRA 16V M FM5 TP(5)	
		C635	0CH1104K942	O	O				O	CAPACITOR,CHIP[CERAMIC M/L HD	0.1UF 50V Z Y5V(F) 1508 R/TP	
		C635	0CH1104K942			O	O	O		CAPACITOR,CHIP[CERAMIC M/L HD	0.1UF 50V Z Y5V(F) 1508 R/TP	
		C636	0CE4764F638	O	O	O	O	O	O	CAPACITOR,ELECTROLYTIC	47M SRA/SS 16V M FM5 TP(5)	
		C643	0CE1054K638	O	O	O	O	O	O	CAPACITOR,ELECTROLYTIC	1.0M SRA/SS50V M FM5 TP(5)	
		C647	0CE1086C638	O	O	O	O	O	O	CAPACITOR,FIXED ELECTROLYTIC	1000000000 PF SMS,SG 6.3V M FM	
		C651	0CE1086C638	O	O	O	O	O	O	CAPACITOR,FIXED ELECTROLYTIC	1000000000 PF SMS,SG 6.3V M FM	
		C651	0CE2274C638	O	O	O	O			CAPACITOR,ELECTROLYTIC	220M SRA 6.3V M FM5 TP(5)	
		C655	0CE1086C638	O	O	O	O	O	O	CAPACITOR,FIXED ELECTROLYTIC	1000000000 PF SMS,SG 6.3V M FM	
		C659	0CE4775C638	O	O	O	O	O	O	CAPACITOR,FIXED ELECTROLYTIC	470UF SR,SV 6.3V 20% FM5 TP 5	
		C663	0CE4775C638	O	O	O	O	O	O	CAPACITOR,FIXED ELECTROLYTIC	470UF SR,SV 6.3V 20% FM5 TP 5	
		C673	0CH1104K942	O	O				O	CAPACITOR,CHIP[CERAMIC M/L HD	0.1UF 50V Z Y5V(F) 1508 R/TP	
		C673	0CH1104K942			O	O	O		CAPACITOR,CHIP[CERAMIC M/L HD	0.1UF 50V Z Y5V(F) 1508 R/TP	
		C674	0CH1104K942	O	O				O	CAPACITOR,CHIP[CERAMIC M/L HD	0.1UF 50V Z Y5V(F) 1508 R/TP	
		C674	0CH1104K942			O	O	O		CAPACITOR,CHIP[CERAMIC M/L HD	0.1UF 50V Z Y5V(F) 1508 R/TP	
		C675	0CE1074F638	O	O	O	O	O	O	CAPACITOR,ELECTROLYTIC	100U SRA 16V M FM5 TP(5)	
		C676	0CH1104K942	O	O				O	CAPACITOR,CHIP[CERAMIC M/L HD	0.1UF 50V Z Y5V(F) 1508 R/TP	
		C676	0CH1104K942			O	O	O		CAPACITOR,CHIP[CERAMIC M/L HD	0.1UF 50V Z Y5V(F) 1508 R/TP	
		C677	0CH1104K942	O	O				O	CAPACITOR,CHIP[CERAMIC M/L HD	0.1UF 50V Z Y5V(F) 1508 R/TP	
		C677	0CH1104K942			O	O	O		CAPACITOR,CHIP[CERAMIC M/L HD	0.1UF 50V Z Y5V(F) 1508 R/TP	
		C678	0CH1104K942	O	O				O	CAPACITOR,CHIP[CERAMIC M/L HD	0.1UF 50V Z Y5V(F) 1508 R/TP	
		C678	0CH1104K942			O	O	O		CAPACITOR,CHIP[CERAMIC M/L HD	0.1UF 50V Z Y5V(F) 1508 R/TP	
		C679	0CE2274C638	O	O	O	O	O	O	CAPACITOR,ELECTROLYTIC	220M SRA 6.3V M FM5 TP(5)	
		C680	0CH1104K942	O	O				O	CAPACITOR,CHIP[CERAMIC M/L HD	0.1UF 50V Z Y5V(F) 1508 R/TP	
		C680	0CH1104K942			O	O	O		CAPACITOR,CHIP[CERAMIC M/L HD	0.1UF 50V Z Y5V(F) 1508 R/TP	
		C681	0CH1104K942	O	O				O	CAPACITOR,CHIP[CERAMIC M/L HD	0.1UF 50V Z Y5V(F) 1508 R/TP	
		C681	0CH1104K942			O	O	O		CAPACITOR,CHIP[CERAMIC M/L HD	0.1UF 50V Z Y5V(F) 1508 R/TP	
		C682	0CH1104K942	O	O				O	CAPACITOR,CHIP[CERAMIC M/L HD	0.1UF 50V Z Y5V(F) 1508 R/TP	
		C682	0CH1104K942			O	O	O		CAPACITOR,CHIP[CERAMIC M/L HD	0.1UF 50V Z Y5V(F) 1508 R/TP	
		C683	0CH1104K942	O	O				O	CAPACITOR,CHIP[CERAMIC M/L HD	0.1UF 50V Z Y5V(F) 1508 R/TP	
		C683	0CH1104K942			O	O	O		CAPACITOR,CHIP[CERAMIC M/L HD	0.1UF 50V Z Y5V(F) 1508 R/TP	
		C690	0CE2274C638	O	O	O	O	O	O	CAPACITOR,ELECTROLYTIC	220M SRA 6.3V M FM5 TP(5)	
		C691	0CH1104K942	O	O				O	CAPACITOR,CHIP[CERAMIC M/L HD	0.1UF 50V Z Y5V(F) 1508 R/TP	
		C691	0CH1104K942			O	O	O		CAPACITOR,CHIP[CERAMIC M/L HD	0.1UF 50V Z Y5V(F) 1508 R/TP	
		C6A1	0CH1104K942						O	CAPACITOR,CHIP[CERAMIC M/L HD	0.1UF 50V Z Y5V(F) 1508 R/TP	
		C6A1	0CH1104K942						O	CAPACITOR,CHIP[CERAMIC M/L HD	0.1UF 50V Z Y5V(F) 1508 R/TP	

S	AL	LOCA.NO	PART NO(LG)	A	B	C	D	E	F	DESCRIPTION	SPECIFICATION	REMARKS
		C6A2	0CH1104K942						O	CAPACITOR,CHIP[CERAMIC M/L HD	0.1UF 50V Z Y5V(F) 1508 R/TP	
		C6A2	0CH1104K942						O	CAPACITOR,CHIP[CERAMIC M/L HD	0.1UF 50V Z Y5V(F) 1508 R/TP	
		C6A3	0CH1104K942						O	CAPACITOR,CHIP[CERAMIC M/L HD	0.1UF 50V Z Y5V(F) 1508 R/TP	
		C6A3	0CH1104K942						O	CAPACITOR,CHIP[CERAMIC M/L HD	0.1UF 50V Z Y5V(F) 1508 R/TP	
		C6W1	0CH1104K942	O	O				O	CAPACITOR,CHIP[CERAMIC M/L HD	0.1UF 50V Z Y5V(F) 1508 R/TP	
		C6W1	0CH1104K942			O	O		O	CAPACITOR,CHIP[CERAMIC M/L HD	0.1UF 50V Z Y5V(F) 1508 R/TP	
		C6W2	0CH1104K942	O	O				O	CAPACITOR,CHIP[CERAMIC M/L HD	0.1UF 50V Z Y5V(F) 1508 R/TP	
		C6W2	0CH1104K942			O	O		O	CAPACITOR,CHIP[CERAMIC M/L HD	0.1UF 50V Z Y5V(F) 1508 R/TP	
		C6W3	0CE1064F638	O	O	O	O	O	O	CAPACITOR,ELECTROLYTIC	10M SRA 16V M FM5 TP(5)	
		C6W4	0CH4101K412	O	O				O	CHIP CAPA CERAMIC M/L T.C F/S	100P 50V J COG 1.6X0.8 R/TP	
		C6W4	0CH4101K412			O	O		O	CHIP CAPA CERAMIC M/L T.C F/S	100P 50V J COG 1.6X0.8 R/TP	
		C6W5	0CH4270K412	O	O				O	CAPACITOR,CHIP[CERAMIC M/L TC	27PF 50V J NP0 1608 R/TP	
		C6W5	0CH4270K412			O	O		O	CAPACITOR,CHIP[CERAMIC M/L TC	27PF 50V J NP0 1608 R/TP	
		C6W6	0CH4101K412	O	O				O	CHIP CAPA CERAMIC M/L T.C F/S	100P 50V J COG 1.6X0.8 R/TP	
		C6W6	0CH4101K412			O	O		O	CHIP CAPA CERAMIC M/L T.C F/S	100P 50V J COG 1.6X0.8 R/TP	
		C902	0CE1064F638	O	O	O	O	O	O	CAPACITOR,ELECTROLYTIC	10M SRA 16V M FM5 TP(5)	
		C905	0CH1104K942	O	O	O	O	O	O	CAPACITOR,CHIP[CERAMIC M/L HD	0.1UF 50V Z Y5V(F) 1508 R/TP	
		C906	0CH1104K942	O	O	O	O	O	O	CAPACITOR,CHIP[CERAMIC M/L HD	0.1UF 50V Z Y5V(F) 1508 R/TP	
		C907	0CH1104K942	O	O	O	O	O	O	CAPACITOR,CHIP[CERAMIC M/L HD	0.1UF 50V Z Y5V(F) 1508 R/TP	
		C908	0CE2274C638	O	O	O	O	O	O	CAPACITOR,ELECTROLYTIC	220M SRA 6.3V M FM5 TP(5)	
		C909	0CE4764J638	O	O	O	O	O	O	CAPACITOR,AL.ELECTROLYTIC	47UF SRA,SS 35V M FM5 TP 5	
		C910	0CH1104K942	O	O	O	O	O	O	CAPACITOR,CHIP[CERAMIC M/L HD	0.1UF 50V Z Y5V(F) 1508 R/TP	
		C911	0CH1104K942	O	O	O	O	O	O	CAPACITOR,CHIP[CERAMIC M/L HD	0.1UF 50V Z Y5V(F) 1508 R/TP	
		C912	0CE4764F638	O	O	O	O	O	O	CAPACITOR,ELECTROLYTIC	47M SRA/SS 16V M FM5 TP(5)	
		C913	0CH1104K942	O	O	O	O	O	O	CAPACITOR,CHIP[CERAMIC M/L HD	0.1UF 50V Z Y5V(F) 1508 R/TP	
		CN201	6630XE00123	O	O	O	O	O	O	CONNECTOR (CIRC),FFC/FPC	04-6232-023-010-000/JE500-B1.0	
		CN202	6630XE00106	O	O	O	O	O	O	CONNECTOR (CIRC),FFC/FPC	JE500-B1.0-T06/04-6232-006-010	
		CN203	561-711E	O	O	O	O	O	O	CONNECTOR (CIRC),WAFER	GIL-S-05P-S2T2-EF LG CABLE 5PI	
		CN303	6630R-FB05R	O	O				O	CONNECTOR (CIRC),FFC/FPC	00-6232-018-104-800 ELCO 18PIN	
		CN505	6630XE00118			O	O		O	CONNECTOR (CIRC),FFC/FPC	04-6232-018-010-000/JE500-B1.0	
		CN505	6630XE00118	O	O					CONNECTOR (CIRC),FFC/FPC	04-6232-018-010-000/JE500-B1.0	
		CN601	6630R-FB05R	O	O	O	O			CONNECTOR (CIRC),FFC/FPC	00-6232-018-104-800 ELCO 18PIN	
		CN601	6630XE00118	O	O				O	CONNECTOR (CIRC),FFC/FPC	04-6232-018-010-000/JE500-B1.0	
		CN601	6630XE00118			O	O		O	CONNECTOR (CIRC),FFC/FPC	04-6232-018-010-000/JE500-B1.0	
		CN602	6630XE00118	O	O					CONNECTOR (CIRC),FFC/FPC	04-6232-018-010-000/JE500-B1.0	
		CN602	6630XE00118						O	CONNECTOR (CIRC),FFC/FPC	04-6232-018-010-000/JE500-B1.0	
		CN603	561-711O	O	O	O	O	O	O	CONNECTOR (CIRC),WAFER	GIL-S-15P-S2T2-EF LG CABLE 15P	
		CN901	6630R-FB10R	O	O	O	O	O	O	CONNECTOR (CIRC),FFC/FPC	00-6232-018-006-800 ELCO 18PIN	
		CN902	6631R-E034H	O	O	O	O	O	O	CONNECTOR ASSEMBLY	GIL-S/9073ST 4 PIN 100M/M UL10	
		CN903	561-712D	O	O	O	O	O	O	CONNECTOR (CIRC),WAFER	GIL-S-04P-S2L2-EF LG CABLE 4PI	
		D100	0DD221009AA	O	O	O	O	O	O	DIODE,RECTIFIERS	ERA22-10 KFLB,TP ,R T/P,FUJI	
		D101	0DZ240009AF	O	O	O	O	O	O	DIODE,ZENERS	GDZJ24B GRANDE TP26 DO34 0.5W	
		D102	0DR158220AA	O	O	O	O	O	O	DIODE,RECTIFIER	1N5822 BK RECTRON DO201AD 40V	
		D103	0DR202000AB	O	O	O	O	O	O	DIODE,RECTIFIER	HER202 BK RECTRON NON 100V 2A	
		D104	0DR104009BA	O	O	O	O	O	O	DIODE,RECTIFIERS	RL104F TP RECTRON - 400V 1A 30	
		D105	874-000T	O	O	O	O	O	O	WIRE COPPER TIN COATED	D=0.6 ROLL	
		D106	0DR104009AB	O	O	O	O	O	O	DIODE,RECTIFIER	RL104 R. TP GULF SEMICONDUCTOR	
		D107	0DR104009BA	O	O	O	O	O	O	DIODE,RECTIFIERS	RL104F TP RECTRON - 400V 1A 30	
		D108	0DR104009BA	O	O	O	O	O	O	DIODE,RECTIFIERS	RL104F TP RECTRON - 400V 1A 30	
		D109	0DR202000AB	O	O	O	O	O	O	DIODE,RECTIFIER	HER202 BK RECTRON NON 100V 2A	
		D110	0DR104009BA	O	O	O	O	O	O	DIODE,RECTIFIERS	RL104F TP RECTRON - 400V 1A 30	
		D111	0DRRE00029A	O	O	O	O	O	O	DIODE,RECTIFIERS	1N17 RECTRON TP NON 20V 1A 20	
		D311	0DS202009CA	O	O				O	DIODE,SWITCHING	DAN202K TP ROHM KOREA SOT23 80	
		D312	0DS202009CA	O	O				O	DIODE,SWITCHING	DAN202K TP ROHM KOREA SOT23 80	
		D600	0DSRM00118A	O	O				O	DIODE,SWITCHING	DAP202K T146 ROHM R/TP SMD 80V	
		D600	0DSRM00118A			O	O		O	DIODE,SWITCHING	DAP202K T146 ROHM R/TP SMD 80V	
		D670	0DR104009BA	O	O	O	O	O	O	DIODE,RECTIFIERS	RL104F TP RECTRON - 400V 1A 30	
		DIG90	6302R-V205A	O	O	O	O	O	O	DIGITRON	HNV-06SC03T SS SDI SEG VFD DVD	
△		F101	0FS1601B51B						O	FUSE,SLOW BLOW	1600MA 250 V 5.2X20 CY/GL KS /	

S	AL	LOCA.NO	PART NO(LG)	A	B	C	D	E	F	DESCRIPTION	SPECIFICATION	REMARKS
△		F101	0FS1601B51D	○	○	○	○			FUSE,SLOW BLOW	1600MA 250 V 5.2X20 CY/GL KS/J	
		F102	0RF0200F708	○	○	○	○	○	○	RESISTOR,VARIABLE[CARBON FILM]	0.2 OHM 1/6 W 10% TA26	
		F103	874-000T	○	○	○	○	○	○	WIRE COPPER TIN COATED	D=0.6 ROLL	
		F104	874-000T	○	○	○	○	○	○	WIRE COPPER TIN COATED	D=0.6 ROLL	
		F301	6200HJC901A	○	○				○	FILTER(CIRC),EMC	CFI06B1H101MF SAMHWA TP 2-5K	
		F302	6200HJC901A	○	○				○	FILTER(CIRC),EMC	CFI06B1H101MF SAMHWA TP 2-5K	
		F303	6200HJC901A	○	○				○	FILTER(CIRC),EMC	CFI06B1H101MF SAMHWA TP 2-5K	
		F304	6200HJC901A	○	○				○	FILTER(CIRC),EMC	CFI06B1H101MF SAMHWA TP 2-5K	
		F305	6200HJC901A	○	○				○	FILTER(CIRC),EMC	CFI06B1H101MF SAMHWA TP 2-5K	
		F306	6200HJC901A	○	○				○	FILTER(CIRC),EMC	CFI06B1H101MF SAMHWA TP 2-5K	
		F600	6200JB8010V	○	○				○	FILTER(CIRC),EMC	LFA20-2A1E473MT MITSUBISHI MAT	
		F600	6200JB8010V			○	○	○		FILTER(CIRC),EMC	LFA20-2A1E473MT MITSUBISHI MAT	
		F651	6200HJC901A	○	○	○	○			FILTER(CIRC),EMC	CFI06B1H101MF SAMHWA TP 2-5K	
		F652	6200HJC901A	○	○	○	○			FILTER(CIRC),EMC	CFI06B1H101MF SAMHWA TP 2-5K	
		F653	6200HJC901A	○	○	○	○			FILTER(CIRC),EMC	CFI06B1H101MF SAMHWA TP 2-5K	
		FH101	586-008B	○	○	○	○	○	○	HOLDER	FUSE CLIP TP SINSUNG	
		FH102	586-008B	○	○	○	○	○	○	HOLDER	FUSE CLIP TP SINSUNG	
		IC01	0IXL953615A	○	○	○	○	○	○	IC,XILINX	XC9536-15VQ44C 44P VQFP BK CPL	
△		IC101	0IPMGH004A	○	○	○	○	○	○	IC,POWER MANAGEMENT	ICE2B0565 INFINEON 8PIN DIP ST	
△		IC102	657-063A	○	○	○	○	○	○	SENSOR	LTV-817B,PHOTO COUPLER(LITEON)	
		IC103	0IPMGFA017A	○	○	○	○	○	○	IC,POWER MANAGEMENT	KA78R12TSTU FAIRCHILD 4P TO-22	
		IC104	0IKE431000A	○	○	○	○	○	○	IC,KEC	KIA431 3 PIN TP	
		IC105	0IPMGFA016A	○	○	○	○	○	○	IC,POWER MANAGEMENT	KA78R08TSTU FAIRCHILD 4P TO-22	
		IC106	0IPMGFA015A	○	○	○	○	○	○	IC,POWER MANAGEMENT	KA78R33TSTU FAIRCHILD 4P TO-22	
		IC201	0ILNRNF006A	○	○	○	○	○	○	IC,LINEAR	MT1336E MEDIATEK INCORPORATION	
		IC202	0IPRPSA010A	○	○	○	○	○	○	IC,PERIPHERALS	LA6560-A-TE-L SANYO HSOP-36R R	
		IC301	0IPRPBB002A	○	○				○	IC,PERIPHERALS	PCM1603KY BUR BROWN 52 TQFP TR	
		IC302	0IJR458000B	○	○				○	IC,JRC	NJM4580M 8,DMP8 TP OP AMP 2K/R	
		IC303	0IJR458000B	○	○				○	IC,JRC	NJM4580M 8,DMP8 TP OP AMP 2K/R	
		IC304	0IJR458000B	○	○				○	IC,JRC	NJM4580M 8,DMP8 TP OP AMP 2K/R	
		IC501	0ILNRNF007B			○	○		○	IC,LINEAR	MT1379DEC MEDIATEK INCORPORATI	
		IC501	0ILNRNF008B						○	IC,LINEAR	MT1379EEC MEDIATEK INCORPORATI	
		IC501	0ILNRNF008B	○	○					IC,LINEAR	MT1379EEC MEDIATEK INCORPORATI	
		IC502	0IMMRHY001A			○	○		○	IC,MEMORIES	HY57V161610DTC-7 HYUNDAI 50P T	
		IC503	0IMMRHY001A			○	○		○	IC,MEMORIES	HY57V161610DTC-7 HYUNDAI 50P T	
		IC505	0ISS240210A			○	○	○	○	IC,SAMSUNG ELECTRONICS	S524A40X21-SCT0 SOP8 TP EEPROM	
		IC505	0ISS240210A	○	○					IC,SAMSUNG ELECTRONICS	S524A40X21-SCT0 SOP8 TP EEPROM	
		IC506	0IMMRH006A						○	IC,MEMORIES	IS42S16400A-7T INTEGRATED SILI	
		IC506	0IMMRH006A	○	○					IC,MEMORIES	IS42S16400A-7T INTEGRATED SILI	
		IC510	0IFA742440F			○	○	○	○	IC,FAIRCHILD	MM74HCT244SJ 20P SOIC TP 3-STA	
		IC510	0IFA742440F	○	○					IC,FAIRCHILD	MM74HCT244SJ 20P SOIC TP 3-STA	
		IC5A1	0IMMRFU010A			○	○		○	IC,MEMORIES	MBM29LV800TA-70PFTN FUJITSU 48	
		IC5A1	0IMMRFU011A						○	IC,MEMORIES	MBM29LV160TE70NC FUJITSU 48PIN	
		IC5A1	0IMMRFU011A	○	○					IC,MEMORIES	MBM29LV160TE70NC FUJITSU 48PIN	
		IC601	0IPRPCI003B	○	○				○	IC,PERIPHERALS	CS4391-KZR CIRRUS LOGIC 20 TSS	
		IC601	0IPRPCI003B			○	○	○		IC,PERIPHERALS	CS4391-KZR CIRRUS LOGIC 20 TSS	
		IC602	0ILNRBB003A	○	○				○	IC,LINEAR	0PA2604AU BUR BROWN 8P SOP R/T	
		IC602	0ILNRBB003A			○	○	○		IC,LINEAR	0PA2604AU BUR BROWN 8P SOP R/T	
		IC604	0IPRPMT008A	○	○				○	IC,PERIPHERALS	MM1623XFBE MITSUMI 28PIN SOP R	
		IC604	0IPRPMT008A			○	○	○		IC,PERIPHERALS	MM1623XFBE MITSUMI 28PIN SOP R	
		IC901	0IMCRHY070B	○	○	○	○	○	○	IC,MICRO CONTROLLER	HMS81C2012A-HK006 HYNIX 64PIN	
		IC902	0IKE704200B	○	○	○	○	○	○	IC,KEC	KIA7042P 3P 4.2V RESET(TAPING)	
		JK301	6612JH002XA	○	○				○	JACK,RCA	RCA-617A-01 YUQIU	
		JK601	6612JH003KA	○	○	○	○	○	○	JACK,RCA	RCA/DIN-150G YUQIU	
		JK601	6612M00003A	○	○	○	○			JACK,SCART	RGB-21F(REV TYPE-SHIELD) BAE E	
		JK602	6612K00003A	○	○	○	○	○	○	JACK,FIBER OPTIC	PLT131/T5/6 EVERLIGHT PUSH TYP	
△		L101	616-145M	○	○	○	○	○	○	FILTER(CIRC),DRAWING	V-04350 LS FUTAI BULK =616-145	
		L102	633-088D	○	○	○	○	○	○	COIL,CHOKE	CHOCK ,20UH KWANGSUNG LEAD CU	
		L103	633-088G	○	○	○	○	○	○	COIL,CHOKE	CHOCK(22MH) 5MM TOKO TP	

S	AL	LOCA.NO	PART NO(LG)	A	B	C	D	E	F	DESCRIPTION	SPECIFICATION	REMARKS
		L105	633-088G	O	O	O	O	O	O	COIL,CHOKE	CHOCK(22MH) 5MM TOKO TP	
		L201	0LR0102J025	O	O	O	O	O	O	INDUCTOR,RADIAL LEAD	10UH 5% 4X5 TR5	
		L202	6200HJC102A	O	O	O	O	O	O	FILTER(CIRC),EMC	HB-1M2012-102JT CERATECH TP	
		L203	0LR0102J025	O	O	O	O	O	O	INDUCTOR,RADIAL LEAD	10UH 5% 4X5 TR5	
		L204	6200HJC102A	O	O	O	O	O	O	FILTER(CIRC),EMC	HB-1M2012-102JT CERATECH TP	
		L231	6200HJC102A	O	O	O	O	O	O	FILTER(CIRC),EMC	HB-1M2012-102JT CERATECH TP	
		L251	6200HJC102A	O	O	O	O	O	O	FILTER(CIRC),EMC	HB-1M2012-102JT CERATECH TP	
		L501	6200HJC102A						O	FILTER(CIRC),EMC	HB-1M2012-102JT CERATECH TP	
		L501	6200HJC102A	O	O					FILTER(CIRC),EMC	HB-1M2012-102JT CERATECH TP	
		L502	6200HJC102A			O	O	O	O	FILTER(CIRC),EMC	HB-1M2012-102JT CERATECH TP	
		L502	6200HJC102A	O	O					FILTER(CIRC),EMC	HB-1M2012-102JT CERATECH TP	
		L504	6200HJC102A			O	O	O	O	FILTER(CIRC),EMC	HB-1M2012-102JT CERATECH TP	
		L504	6200HJC102A	O	O					FILTER(CIRC),EMC	HB-1M2012-102JT CERATECH TP	
		L510	6200HJC102A			O	O	O	O	FILTER(CIRC),EMC	HB-1M2012-102JT CERATECH TP	
		L510	6200HJC102A	O	O					FILTER(CIRC),EMC	HB-1M2012-102JT CERATECH TP	
		L600	6200HJC102A	O	O				O	FILTER(CIRC),EMC	HB-1M2012-102JT CERATECH TP	
		L600	6200HJC102A			O	O	O	O	FILTER(CIRC),EMC	HB-1M2012-102JT CERATECH TP	
		L601	6200HJC102A	O	O				O	FILTER(CIRC),EMC	HB-1M2012-102JT CERATECH TP	
		L601	6200HJC102A			O	O	O	O	FILTER(CIRC),EMC	HB-1M2012-102JT CERATECH TP	
		L602	6200HJC102A	O	O				O	FILTER(CIRC),EMC	HB-1M2012-102JT CERATECH TP	
		L602	6200HJC102A			O	O	O	O	FILTER(CIRC),EMC	HB-1M2012-102JT CERATECH TP	
		L673	6200HJC102A	O	O				O	FILTER(CIRC),EMC	HB-1M2012-102JT CERATECH TP	
		L673	6200HJC102A			O	O	O	O	FILTER(CIRC),EMC	HB-1M2012-102JT CERATECH TP	
		L674	6200HJC102A	O	O				O	FILTER(CIRC),EMC	HB-1M2012-102JT CERATECH TP	
		L674	6200HJC102A			O	O	O	O	FILTER(CIRC),EMC	HB-1M2012-102JT CERATECH TP	
		L690	6200HJC102A	O	O				O	FILTER(CIRC),EMC	HB-1M2012-102JT CERATECH TP	
		L690	6200HJC102A			O	O	O	O	FILTER(CIRC),EMC	HB-1M2012-102JT CERATECH TP	
		L901	6200HJC102A	O	O	O	O	O	O	FILTER(CIRC),EMC	HB-1M2012-102JT CERATECH TP	
		LED01	0DL111209CA	O	O	O	O	O	O	LED	LTL-1CHEES-UA TP LITEON RED =0	
		LED02	0DL111209EA	O	O	O	O	O	O	LED	LTL-1CHKES-UA TP LITEON GREEN	
		LED03	0DL111209CA	O	O	O	O	O	O	LED	LTL-1CHEES-UA TP LITEON RED =0	
		LED90	0DLAU0029AA	O	O	O	O	O	O	LED	AUK SYM3272 (YELLOW-GREEN,GREE	
		PBJIG	6871R-1959A	O	O	O	O	O	O	PWB(PCB) ASSY,TOTAL	DVD-3000'S JIG A'Y	
		PBT00	6871R-5697A						O	PWB(PCB) ASSEMBLY,TOTAL	DV7000S NAD TIMER SH	
△		PW101	561-292B	O	O	O	O	O	O	CONNECTOR	GP390 LGC 3P 3.96 STRAIGHT SN	
		Q101	0TR534309BA	O	O	O	O	O	O	TRANSISTOR	2SC5343-L TP AUK TO92	
		Q102	0TR105009AD	O	O	O	O	O	O	TRANSISTOR,BIPOLARS	KRA105M KEC TP TO92 50V 100MA	
		Q107	0TR115100AA	O	O	O	O	O	O	TRANSISTOR	KSB1151-Y BK SAMSUNG TO-126	
		Q108	0TR534309BA	O	O	O	O	O	O	TRANSISTOR	2SC5343-L TP AUK TO92	
		Q201	0TR387509AC	O	O	O	O	O	O	TRANSISTOR	CHIP KTC3875S-GR-T1(ALG) KEC	
		Q202	0TRRH80042A	O	O	O	O	O	O	TRANSISTOR,BIPOLARS	2SK3018 T106 ROHM KOREA R/TP U	
		Q203	0TRRH80042A	O	O	O	O	O	O	TRANSISTOR,BIPOLARS	2SK3018 T106 ROHM KOREA R/TP U	
		Q204	0TR103709BB	O	O	O	O	O	O	TRANSISTOR,BIPOLARS	2SA1037K-Q CHIP TP ROHM - -	
		Q205	0TR103709BB	O	O	O	O	O	O	TRANSISTOR,BIPOLARS	2SA1037K-Q CHIP TP ROHM - -	
		Q301	0TR387509AC	O	O				O	TRANSISTOR	CHIP KTC3875S-GR-T1(ALG) KEC	
		Q302	0TR387509AC	O	O				O	TRANSISTOR	CHIP KTC3875S-GR-T1(ALG) KEC	
		Q303	0TR387509AC	O	O				O	TRANSISTOR	CHIP KTC3875S-GR-T1(ALG) KEC	
		Q304	0TR387509AC	O	O				O	TRANSISTOR	CHIP KTC3875S-GR-T1(ALG) KEC	
		Q305	0TR387509AC	O	O				O	TRANSISTOR	CHIP KTC3875S-GR-T1(ALG) KEC	
		Q306	0TR387509AC	O	O				O	TRANSISTOR	CHIP KTC3875S-GR-T1(ALG) KEC	
		Q307	0TR103009AC	O	O				O	TRANSISTOR	KRA103S-T1(PC)22-22 CHIP KEC	
		Q308	0TR103009AC	O	O				O	TRANSISTOR	KRA103S-T1(PC)22-22 CHIP KEC	
		Q501	0TR387509AC			O	O	O	O	TRANSISTOR	CHIP KTC3875S-GR-T1(ALG) KEC	
		Q501	0TR387509AC	O	O					TRANSISTOR	CHIP KTC3875S-GR-T1(ALG) KEC	
		Q600	0TR150409AC	O	O				O	TRANSISTOR	KTA1504-GR-T1(ASG) CHIP KEC	
		Q600	0TR150409AC			O	O	O	O	TRANSISTOR	KTA1504-GR-T1(ASG) CHIP KEC	
		Q601	0TR103009AC	O	O				O	TRANSISTOR	KRA103S-T1(PC)22-22 CHIP KEC	
		Q601	0TR103009AC			O	O	O	O	TRANSISTOR	KRA103S-T1(PC)22-22 CHIP KEC	
		Q602	0TR103009AC	O	O				O	TRANSISTOR	KRA103S-T1(PC)22-22 CHIP KEC	

S	AL	LOCA.NO	PART NO(LG)	A	B	C	D	E	F	DESCRIPTION	SPECIFICATION	REMARKS
		Q602	0TR103009AC			O	O	O		TRANSISTOR	KRA103S-T1(PC)22-22 CHIP KEC	
		Q603	0TR387509AC	O	O				O	TRANSISTOR	CHIP KTC3875S-GR-T1(ALG) KEC	
		Q603	0TR387509AC			O	O	O		TRANSISTOR	CHIP KTC3875S-GR-T1(ALG) KEC	
		Q604	0TR387509AC	O	O				O	TRANSISTOR	CHIP KTC3875S-GR-T1(ALG) KEC	
		Q604	0TR387509AC			O	O	O		TRANSISTOR	CHIP KTC3875S-GR-T1(ALG) KEC	
		Q605	0TR387509AC	O	O				O	TRANSISTOR	CHIP KTC3875S-GR-T1(ALG) KEC	
		Q605	0TR387509AC			O	O	O		TRANSISTOR	CHIP KTC3875S-GR-T1(ALG) KEC	
		Q606	0TR387509AC	O	O				O	TRANSISTOR	CHIP KTC3875S-GR-T1(ALG) KEC	
		Q606	0TR387509AC			O	O	O		TRANSISTOR	CHIP KTC3875S-GR-T1(ALG) KEC	
		Q651	0TR120309AE	O	O	O	O			TRANSISTOR	SRC1203 TP AUK TO92 22K,22K	
		Q6T0	0TR387509AC	O	O				O	TRANSISTOR	CHIP KTC3875S-GR-T1(ALG) KEC	
		Q6T0	0TR387509AC			O	O	O		TRANSISTOR	CHIP KTC3875S-GR-T1(ALG) KEC	
		Q901	0TR103009AA	O	O	O	O	O	O	TRANSISTOR	CHIP KRC103S-T1(NC)22-22 KEC	
		Q902	0TR103009AA	O	O	O	O	O	O	TRANSISTOR	CHIP KRC103S-T1(NC)22-22 KEC	
		R01	0RD3900F608	O	O	O	O	O	O	RESISTOR,FIXED CARBON FILM	390 OHM 1/6 W 5% TA26	
		R02	0RD3900F608	O	O	O	O	O	O	RESISTOR,FIXED CARBON FILM	390 OHM 1/6 W 5% TA26	
		R03	0RD3900F608	O	O	O	O	O	O	RESISTOR,FIXED CARBON FILM	390 OHM 1/6 W 5% TA26	
		R100	0RD1504H632	O	O	O	O	O	O	RESISTOR,FIXED CARBON FILM	1.5M OHM 1/2 W 5.00% MF10	
		R101	614-007A	O	O	O	O	O	O	RESISTOR	2.7/2W CEMENT SMPS V	
		R103	0RS5602K619	O	O	O	O	O	O	RESISTOR,FIXED METAL OXIDE FIL	56K OHM 2 W 5.00% TR	
		R107	0RS0600K619	O	O	O	O	O	O	RESISTOR,FIXED METAL OXIDE FIL	0.6 OHM 2 W 5% TR	
		R109	0RD2203F608	O	O	O	O	O	O	RESISTOR,FIXED CARBON FILM	220K OHM 1/6 W 5% TA26	
		R110	0RD2203F608	O	O	O	O	O	O	RESISTOR,FIXED CARBON FILM	220K OHM 1/6 W 5% TA26	
		R112	0RD0472F608	O	O	O	O	O	O	RESISTOR,FIXED CARBON FILM	47 OHM 1/6 W 5% TA26	
		R114	0RD1003F608	O	O	O	O	O	O	RESISTOR,FIXED CARBON FILM	100K OHM 1/6 W 5% TA26	
		R115	0RD0182F608	O	O	O	O	O	O	RESISTOR,FIXED CARBON FILM	18 OHM 1/6 W 5.00% TA26	
		R116	0RD0182F608	O	O	O	O	O	O	RESISTOR,FIXED CARBON FILM	18 OHM 1/6 W 5.00% TA26	
		R120	0RD4702F608	O	O	O	O	O	O	RESISTOR,FIXED CARBON FILM	47K OHM 1/6 W 5% TA26	
		R121	0RD1201F608	O	O	O	O	O	O	RESISTOR,FIXED CARBON FILM	1.2K OHM 1/6 W 5% TA26	
		R122	0RD2200F608	O	O	O	O	O	O	RESISTOR,FIXED CARBON FILM	220 OHM 1/6 W 5% TA26	
		R123	0RD1001F608	O	O	O	O	O	O	RESISTOR,FIXED CARBON FILM	1K OHM 1/6 W 5% TA26	
		R124	0RD1800F608	O	O	O	O	O	O	RESISTOR,FIXED CARBON FILM	180 OHM 1/6 W 5% TA26	
		R125	0RD3901F608	O	O	O	O	O	O	RESISTOR,FIXED CARBON FILM	3.9K OHM 1/6 W 5% TA26	
		R126	0RD1001F608	O	O	O	O	O	O	RESISTOR,FIXED CARBON FILM	1K OHM 1/6 W 5% TA26	
		R127	0RN3601E408	O	O	O	O	O	O	RESISTOR,FIXED METAL FILM	3.6K OHM 1/8 W 1.00% TA26	
		R128	0RN3301E408	O	O	O	O	O	O	RESISTOR,FIXED METAL FILM	3.3K OHM 1/8 W 1.00% TA26	
		R130	0RD1002F608	O	O	O	O	O	O	RESISTOR,FIXED CARBON FILM	10K OHM 1/6 W 5% TA26	
		R131	0RD2201F608	O	O	O	O	O	O	RESISTOR,FIXED CARBON FILM	2.2K OHM 1/6 W 5% TA26	
		R132	0RD1002F608	O	O	O	O	O	O	RESISTOR,FIXED CARBON FILM	10K OHM 1/6 W 5% TA26	
		R140	0RD1001F608	O	O	O	O	O	O	RESISTOR,FIXED CARBON FILM	1K OHM 1/6 W 5% TA26	
		R142	0RD1001F608	O	O	O	O	O	O	RESISTOR,FIXED CARBON FILM	1K OHM 1/6 W 5% TA26	
		R145	0RD4700F608	O	O	O	O	O	O	RESISTOR,FIXED CARBON FILM	470 OHM 1/6 W 5% TA26	
		R201	0RH1002C622	O	O	O	O	O	O	RESISTOR,METAL GLAZED(CHIP)	10K OHM 1 / 16 W 1608 5.00% D	
		R202	0RH1003C622	O	O	O	O	O	O	RESISTOR,METAL GLAZED(CHIP)	100K OHM 1 / 16 W 1608 5.00% D	
		R203	0RH1002C622	O	O	O	O	O	O	RESISTOR,METAL GLAZED(CHIP)	10K OHM 1 / 16 W 1608 5.00% D	
		R204	0RH1003C622	O	O	O	O	O	O	RESISTOR,METAL GLAZED(CHIP)	100K OHM 1 / 16 W 1608 5.00% D	
		R205	0RH0272C622	O	O	O	O	O	O	RESISTOR,METAL GLAZED(CHIP)	27 OHM 1 / 16 W 1608 5.00% D	
		R206	0RH0272C622	O	O	O	O	O	O	RESISTOR,METAL GLAZED(CHIP)	27 OHM 1 / 16 W 1608 5.00% D	
		R207	0RH0000C622	O	O	O	O	O	O	RESISTOR,METAL GLAZED(CHIP)	0 OHM 1 / 16 W 1608 5.00% D	
		R208	0RH0000C622	O	O	O	O	O	O	RESISTOR,METAL GLAZED(CHIP)	0 OHM 1 / 16 W 1608 5.00% D	
		R209	0RH0000C622	O	O	O	O	O	O	RESISTOR,METAL GLAZED(CHIP)	0 OHM 1 / 16 W 1608 5.00% D	
		R210	0RH0000C622	O	O	O	O	O	O	RESISTOR,METAL GLAZED(CHIP)	0 OHM 1 / 16 W 1608 5.00% D	
		R211	0RH0221C622	O	O	O	O	O	O	RESISTOR,METAL GLAZED(CHIP)	2.2 OHM 1 / 16 W 1608 5.00% D	
		R212	0RJ7503C677	O	O	O	O	O	O	RESISTOR,METAL GLAZED(CHIP)	750K OHM 1/16 W 5% 1608 R/TP	
		R213	0RH3903C622	O	O	O	O	O	O	RESISTOR,METAL GLAZED(CHIP)	390K OHM 1 / 16 W 1608 5.00% D	
		R214	0RJ7503C677	O	O	O	O	O	O	RESISTOR,METAL GLAZED(CHIP)	750K OHM 1/16 W 5% 1608 R/TP	
		R215	0RH3903C622	O	O	O	O	O	O	RESISTOR,METAL GLAZED(CHIP)	390K OHM 1 / 16 W 1608 5.00% D	
		R216	0RH0101C622	O	O	O	O	O	O	RESISTOR,METAL GLAZED(CHIP)	1 OHM 1 / 16 W 1608 5.00% D	
		R217	0RH0221C622	O	O	O	O	O	O	RESISTOR,METAL GLAZED(CHIP)	2.2 OHM 1 / 16 W 1608 5.00% D	

S	AL	LOCA.NO	PART NO(LG)	A	B	C	D	E	F	DESCRIPTION	SPECIFICATION	REMARKS
		R218	0RH0221C622	0	0	0	0	0	0	RESISTOR,METAL GLAZED(CHIP)	2.2 OHM 1 / 16 W 1608 5.00% D	
		R220	0RH0272C622	0	0	0	0	0	0	RESISTOR,METAL GLAZED(CHIP)	27 OHM 1 / 16 W 1608 5.00% D	
		R221	0RH0272C622	0	0	0	0	0	0	RESISTOR,METAL GLAZED(CHIP)	27 OHM 1 / 16 W 1608 5.00% D	
		R231	0RH2201C622	0	0	0	0	0	0	RESISTOR,METAL GLAZED(CHIP)	2.2K OHM 1 / 16 W 1608 5.00% D	
		R232	0RH2201C622	0	0	0	0	0	0	RESISTOR,METAL GLAZED(CHIP)	2.2K OHM 1 / 16 W 1608 5.00% D	
		R233	0RH0221C622	0	0	0	0	0	0	RESISTOR,METAL GLAZED(CHIP)	2.2 OHM 1 / 16 W 1608 5.00% D	
		R234	0RH0221C622	0	0	0	0	0	0	RESISTOR,METAL GLAZED(CHIP)	2.2 OHM 1 / 16 W 1608 5.00% D	
		R235	0RH1002C622	0	0	0	0	0	0	RESISTOR,METAL GLAZED(CHIP)	10K OHM 1 / 16 W 1608 5.00% D	
		R236	0RH1502C622	0	0	0	0	0	0	RESISTOR,METAL GLAZED(CHIP)	15K OHM 1 / 16 W 1608 5.00% D	
		R237	0RH2702C622	0	0	0	0	0	0	RESISTOR,METAL GLAZED(CHIP)	27K OHM 1 / 16 W 1608 5.00% D	
		R238	0RH1002C622	0	0	0	0	0	0	RESISTOR,METAL GLAZED(CHIP)	10K OHM 1 / 16 W 1608 5.00% D	
		R239	0RH1002C622	0	0	0	0	0	0	RESISTOR,METAL GLAZED(CHIP)	10K OHM 1 / 16 W 1608 5.00% D	
		R240	0RH1002C622	0	0	0	0	0	0	RESISTOR,METAL GLAZED(CHIP)	10K OHM 1 / 16 W 1608 5.00% D	
		R241	0RH1002C622	0	0	0	0	0	0	RESISTOR,METAL GLAZED(CHIP)	10K OHM 1 / 16 W 1608 5.00% D	
		R242	0RH2702C622	0	0	0	0	0	0	RESISTOR,METAL GLAZED(CHIP)	27K OHM 1 / 16 W 1608 5.00% D	
		R243	0RH1002C622	0	0	0	0	0	0	RESISTOR,METAL GLAZED(CHIP)	10K OHM 1 / 16 W 1608 5.00% D	
		R244	0RH1502C622	0	0	0	0	0	0	RESISTOR,METAL GLAZED(CHIP)	15K OHM 1 / 16 W 1608 5.00% D	
		R245	0RH1002C622	0	0	0	0	0	0	RESISTOR,METAL GLAZED(CHIP)	10K OHM 1 / 16 W 1608 5.00% D	
		R246	0RH1002C622	0	0	0	0	0	0	RESISTOR,METAL GLAZED(CHIP)	10K OHM 1 / 16 W 1608 5.00% D	
		R251	0RH3302C622	0	0	0	0	0	0	RESISTOR,METAL GLAZED(CHIP)	33K OHM 1 / 16 W 1608 5.00% D	
		R252	0RH1003C622	0	0	0	0	0	0	RESISTOR,METAL GLAZED(CHIP)	100K OHM 1 / 16 W 1608 5.00% D	
		R253	0RH2702C622	0	0	0	0	0	0	RESISTOR,METAL GLAZED(CHIP)	27K OHM 1 / 16 W 1608 5.00% D	
		R254	0RH0000C622	0	0	0	0	0	0	RESISTOR,METAL GLAZED(CHIP)	0 OHM 1 / 16 W 1608 5.00% D	
		R255	0RH0000C622	0	0	0	0	0	0	RESISTOR,METAL GLAZED(CHIP)	0 OHM 1 / 16 W 1608 5.00% D	
		R256	0RH1002C622	0	0	0	0	0	0	RESISTOR,METAL GLAZED(CHIP)	10K OHM 1 / 16 W 1608 5.00% D	
		R257	0RH1002C622	0	0	0	0	0	0	RESISTOR,METAL GLAZED(CHIP)	10K OHM 1 / 16 W 1608 5.00% D	
		R258	0RH0000C622	0	0	0	0	0	0	RESISTOR,METAL GLAZED(CHIP)	0 OHM 1 / 16 W 1608 5.00% D	
		R259	0RH0000C622	0	0	0	0	0	0	RESISTOR,METAL GLAZED(CHIP)	0 OHM 1 / 16 W 1608 5.00% D	
		R301	0RH1001D622	0	0			0		RESISTOR,METAL GLAZED(CHIP)	1K OHM 1 / 10 W 2012 5.00% D	
		R302	0RH0102D622	0	0			0		RESISTOR,METAL GLAZED(CHIP)	10 OHM 1 / 10 W 2012 5.00% D	
		R303	0RH0000D622	0	0			0		RESISTOR,METAL GLAZED(CHIP)	0 OHM 1 / 10 W 2012 5.00% D	
		R305	0RH0102D622	0	0			0		RESISTOR,METAL GLAZED(CHIP)	10 OHM 1 / 10 W 2012 5.00% D	
		R306	0RH1001D622	0	0			0		RESISTOR,METAL GLAZED(CHIP)	1K OHM 1 / 10 W 2012 5.00% D	
		R307	0RH1003D622	0	0			0		RESISTOR,METAL GLAZED(CHIP)	100K OHM 1 / 10 W 2012 5.00% D	
		R308	0RH2200D622	0	0			0		RESISTOR,METAL GLAZED(CHIP)	220 OHM 1 / 10 W 2012 5.00% D	
		R309	0RH3300D622	0	0			0		RESISTOR,METAL GLAZED(CHIP)	330 OHM 1 / 10 W 2012 5.00% D	
		R310	0RH1001D622	0	0			0		RESISTOR,METAL GLAZED(CHIP)	1K OHM 1 / 10 W 2012 5.00% D	
		R311	0RH1502D622	0	0			0		RESISTOR,METAL GLAZED(CHIP)	15K OHM 1 / 10 W 2012 5.00% D	
		R312	0RH6801D622	0	0			0		RESISTOR,METAL GLAZED(CHIP)	6.8K OHM 1 / 10 W 2012 5.00% D	
		R313	0RH7501D622	0	0			0		RESISTOR,METAL GLAZED(CHIP)	7.5K OHM 1 / 10 W 2012 5.00% D	
		R314	0RH7501D622	0	0			0		RESISTOR,METAL GLAZED(CHIP)	7.5K OHM 1 / 10 W 2012 5.00% D	
		R315	0RH7501D622	0	0			0		RESISTOR,METAL GLAZED(CHIP)	7.5K OHM 1 / 10 W 2012 5.00% D	
		R316	0RH6801D622	0	0			0		RESISTOR,METAL GLAZED(CHIP)	6.8K OHM 1 / 10 W 2012 5.00% D	
		R317	0RH1502D622	0	0			0		RESISTOR,METAL GLAZED(CHIP)	15K OHM 1 / 10 W 2012 5.00% D	
		R318	0RH3300D622	0	0			0		RESISTOR,METAL GLAZED(CHIP)	330 OHM 1 / 10 W 2012 5.00% D	
		R319	0RH5601D622	0	0			0		RESISTOR,METAL GLAZED(CHIP)	5.6K OHM 1 / 10 W 2012 5.00% D	
		R320	0RH4701D622	0	0			0		RESISTOR,METAL GLAZED(CHIP)	4.7K OHM 1 / 10 W 2012 5.00% D	
		R321	0RH1003D622	0	0			0		RESISTOR,METAL GLAZED(CHIP)	100K OHM 1 / 10 W 2012 5.00% D	
		R322	0RH2200D622	0	0			0		RESISTOR,METAL GLAZED(CHIP)	220 OHM 1 / 10 W 2012 5.00% D	
		R323	0RH1001D622	0	0			0		RESISTOR,METAL GLAZED(CHIP)	1K OHM 1 / 10 W 2012 5.00% D	
		R324	0RH2200D622	0	0			0		RESISTOR,METAL GLAZED(CHIP)	220 OHM 1 / 10 W 2012 5.00% D	
		R325	0RH1003D622	0	0			0		RESISTOR,METAL GLAZED(CHIP)	100K OHM 1 / 10 W 2012 5.00% D	
		R326	0RH3300D622	0	0			0		RESISTOR,METAL GLAZED(CHIP)	330 OHM 1 / 10 W 2012 5.00% D	
		R327	0RH1001D622	0	0			0		RESISTOR,METAL GLAZED(CHIP)	1K OHM 1 / 10 W 2012 5.00% D	
		R328	0RH1502D622	0	0			0		RESISTOR,METAL GLAZED(CHIP)	15K OHM 1 / 10 W 2012 5.00% D	
		R329	0RH6801D622	0	0			0		RESISTOR,METAL GLAZED(CHIP)	6.8K OHM 1 / 10 W 2012 5.00% D	
		R330	0RH1001D622	0	0			0		RESISTOR,METAL GLAZED(CHIP)	1K OHM 1 / 10 W 2012 5.00% D	
		R331	0RH7501D622	0	0			0		RESISTOR,METAL GLAZED(CHIP)	7.5K OHM 1 / 10 W 2012 5.00% D	
		R332	0RH6801D622	0	0			0		RESISTOR,METAL GLAZED(CHIP)	6.8K OHM 1 / 10 W 2012 5.00% D	

S	AL	LOCA.NO	PART NO(LG)	A	B	C	D	E	F	DESCRIPTION	SPECIFICATION	REMARKS
		R333	0RH1502D622	O	O			O		RESISTOR,METAL GLAZED(CHIP)	15K OHM 1 / 10 W 2012 5.00% D	
		R334	0RH3300D622	O	O			O		RESISTOR,METAL GLAZED(CHIP)	330 OHM 1 / 10 W 2012 5.00% D	
		R335	0RH5601D622	O	O			O		RESISTOR,METAL GLAZED(CHIP)	5.6K OHM 1 / 10 W 2012 5.00% D	
		R336	0RH4701D622	O	O			O		RESISTOR,METAL GLAZED(CHIP)	4.7K OHM 1 / 10 W 2012 5.00% D	
		R337	0RH1003D622	O	O			O		RESISTOR,METAL GLAZED(CHIP)	100K OHM 1 / 10 W 2012 5.00% D	
		R338	0RH2200D622	O	O			O		RESISTOR,METAL GLAZED(CHIP)	220 OHM 1 / 10 W 2012 5.00% D	
		R339	0RH1001D622	O	O			O		RESISTOR,METAL GLAZED(CHIP)	1K OHM 1 / 10 W 2012 5.00% D	
		R340	0RH1001D622	O	O			O		RESISTOR,METAL GLAZED(CHIP)	1K OHM 1 / 10 W 2012 5.00% D	
		R341	0RH2200D622	O	O			O		RESISTOR,METAL GLAZED(CHIP)	220 OHM 1 / 10 W 2012 5.00% D	
		R342	0RH1003D622	O	O			O		RESISTOR,METAL GLAZED(CHIP)	100K OHM 1 / 10 W 2012 5.00% D	
		R343	0RH3300D622	O	O			O		RESISTOR,METAL GLAZED(CHIP)	330 OHM 1 / 10 W 2012 5.00% D	
		R344	0RH1001D622	O	O			O		RESISTOR,METAL GLAZED(CHIP)	1K OHM 1 / 10 W 2012 5.00% D	
		R345	0RH1502D622	O	O			O		RESISTOR,METAL GLAZED(CHIP)	15K OHM 1 / 10 W 2012 5.00% D	
		R346	0RH6801D622	O	O			O		RESISTOR,METAL GLAZED(CHIP)	6.8K OHM 1 / 10 W 2012 5.00% D	
		R347	0RH7501D622	O	O			O		RESISTOR,METAL GLAZED(CHIP)	7.5K OHM 1 / 10 W 2012 5.00% D	
		R348	0RH7501D622	O	O			O		RESISTOR,METAL GLAZED(CHIP)	7.5K OHM 1 / 10 W 2012 5.00% D	
		R349	0RH6801D622	O	O			O		RESISTOR,METAL GLAZED(CHIP)	6.8K OHM 1 / 10 W 2012 5.00% D	
		R350	0RH1502D622	O	O			O		RESISTOR,METAL GLAZED(CHIP)	15K OHM 1 / 10 W 2012 5.00% D	
		R361	0RH3300D622	O	O			O		RESISTOR,METAL GLAZED(CHIP)	330 OHM 1 / 10 W 2012 5.00% D	
		R362	0RH5601D622	O	O			O		RESISTOR,METAL GLAZED(CHIP)	5.6K OHM 1 / 10 W 2012 5.00% D	
		R363	0RH4701D622	O	O			O		RESISTOR,METAL GLAZED(CHIP)	4.7K OHM 1 / 10 W 2012 5.00% D	
		R364	0RH1001D622	O	O			O		RESISTOR,METAL GLAZED(CHIP)	1K OHM 1 / 10 W 2012 5.00% D	
		R365	0RH2200D622	O	O			O		RESISTOR,METAL GLAZED(CHIP)	220 OHM 1 / 10 W 2012 5.00% D	
		R366	0RH1003D622	O	O			O		RESISTOR,METAL GLAZED(CHIP)	100K OHM 1 / 10 W 2012 5.00% D	
		R374	0RH0000D622	O	O			O		RESISTOR,METAL GLAZED(CHIP)	0 OHM 1 / 10 W 2012 5.00% D	
		R375	0RH1001D622	O	O			O		RESISTOR,METAL GLAZED(CHIP)	1K OHM 1 / 10 W 2012 5.00% D	
		R376	0RH1001D622	O	O			O		RESISTOR,METAL GLAZED(CHIP)	1K OHM 1 / 10 W 2012 5.00% D	
		R377	0RH0000D622	O	O			O		RESISTOR,METAL GLAZED(CHIP)	0 OHM 1 / 10 W 2012 5.00% D	
		R501	0RH8201C622			O	O	O	O	RESISTOR,METAL GLAZED(CHIP)	8.2K OHM 1 / 16 W 1608 5.00% D	
		R501	0RH8201C622	O	O					RESISTOR,METAL GLAZED(CHIP)	8.2K OHM 1 / 16 W 1608 5.00% D	
		R502	0RJ7503C677			O	O	O	O	RESISTOR,METAL GLAZED(CHIP)	750K OHM 1/16 W 5% 1608 R/TP	
		R502	0RJ7503C677	O	O					RESISTOR,METAL GLAZED(CHIP)	750K OHM 1/16 W 5% 1608 R/TP	
		R503	0RH0471C622			O	O	O	O	RESISTOR,METAL GLAZED(CHIP)	4.7 OHM 1 / 16 W 1608 5.00% D	
		R503	0RH0471C622	O	O					RESISTOR,METAL GLAZED(CHIP)	4.7 OHM 1 / 16 W 1608 5.00% D	
		R504	0RH0000C622			O	O	O	O	RESISTOR,METAL GLAZED(CHIP)	0 OHM 1 / 16 W 1608 5.00% D	
		R504	0RH0000C622	O	O					RESISTOR,METAL GLAZED(CHIP)	0 OHM 1 / 16 W 1608 5.00% D	
		R505	0RH0471C622			O	O	O	O	RESISTOR,METAL GLAZED(CHIP)	4.7 OHM 1 / 16 W 1608 5.00% D	
		R505	0RH0471C622	O	O					RESISTOR,METAL GLAZED(CHIP)	4.7 OHM 1 / 16 W 1608 5.00% D	
		R506	0RH0471C622			O	O	O	O	RESISTOR,METAL GLAZED(CHIP)	4.7 OHM 1 / 16 W 1608 5.00% D	
		R506	0RH0471C622	O	O					RESISTOR,METAL GLAZED(CHIP)	4.7 OHM 1 / 16 W 1608 5.00% D	
		R507	0RH1801C622			O	O	O	O	RESISTOR,METAL GLAZED(CHIP)	1.8K OHM 1 / 16 W 1608 5.00% D	
		R507	0RH1801C622	O	O					RESISTOR,METAL GLAZED(CHIP)	1.8K OHM 1 / 16 W 1608 5.00% D	
		R508	0RH1003C622			O	O	O	O	RESISTOR,METAL GLAZED(CHIP)	100K OHM 1 / 16 W 1608 5.00% D	
		R508	0RH1003C622	O	O					RESISTOR,METAL GLAZED(CHIP)	100K OHM 1 / 16 W 1608 5.00% D	
		R509	0RH0000C622			O	O	O	O	RESISTOR,METAL GLAZED(CHIP)	0 OHM 1 / 16 W 1608 5.00% D	
		R509	0RH0000C622	O	O					RESISTOR,METAL GLAZED(CHIP)	0 OHM 1 / 16 W 1608 5.00% D	
		R510	0RH0000C622			O	O	O	O	RESISTOR,METAL GLAZED(CHIP)	0 OHM 1 / 16 W 1608 5.00% D	
		R510	0RH0000C622	O	O					RESISTOR,METAL GLAZED(CHIP)	0 OHM 1 / 16 W 1608 5.00% D	
		R511	0RH1802C622			O	O	O	O	RESISTOR,METAL GLAZED(CHIP)	18K OHM 1 / 16 W 1608 5.00% D	
		R511	0RH1802C622	O	O					RESISTOR,METAL GLAZED(CHIP)	18K OHM 1 / 16 W 1608 5.00% D	
		R512	0RH1003C622			O	O	O	O	RESISTOR,METAL GLAZED(CHIP)	100K OHM 1 / 16 W 1608 5.00% D	
		R512	0RH1003C622	O	O					RESISTOR,METAL GLAZED(CHIP)	100K OHM 1 / 16 W 1608 5.00% D	
		R513	0RH0000C622			O	O	O	O	RESISTOR,METAL GLAZED(CHIP)	0 OHM 1 / 16 W 1608 5.00% D	
		R513	0RH0000C622	O	O					RESISTOR,METAL GLAZED(CHIP)	0 OHM 1 / 16 W 1608 5.00% D	
		R515	0RH0332C622			O	O	O	O	RESISTOR,METAL GLAZED(CHIP)	33 OHM 1 / 16 W 1608 5.00% D	
		R515	0RH0332C622	O	O					RESISTOR,METAL GLAZED(CHIP)	33 OHM 1 / 16 W 1608 5.00% D	
		R516	0RH0332C622			O	O	O	O	RESISTOR,METAL GLAZED(CHIP)	33 OHM 1 / 16 W 1608 5.00% D	
		R516	0RH0332C622	O	O					RESISTOR,METAL GLAZED(CHIP)	33 OHM 1 / 16 W 1608 5.00% D	
		R517	0RH0332C622			O	O	O	O	RESISTOR,METAL GLAZED(CHIP)	33 OHM 1 / 16 W 1608 5.00% D	











S	AL	LOCA.NO	PART NO(LG)	A	B	C	D	E	F	DESCRIPTION	SPECIFICATION	REMARKS
		R900	0RH6800C622	0	0	0	0	0	0	RESISTOR,METAL GLAZED(CHIP)	680 OHM 1 / 16 W 1608 5.00% D	
		R901	0RH8200C622	0	0	0	0	0	0	RESISTOR,METAL GLAZED(CHIP)	820 OHM 1 / 16 W 1608 5.00% D	
		R902	0RH1201C622	0	0	0	0	0	0	RESISTOR,METAL GLAZED(CHIP)	1.2K OHM 1 / 16 W 1608 5.00% D	
		R903	0RH1501C622	0	0	0	0	0	0	RESISTOR,METAL GLAZED(CHIP)	1.5K OHM 1 / 16 W 1608 5.00% D	
		R904	0RH2201C622	0	0	0	0	0	0	RESISTOR,METAL GLAZED(CHIP)	2.2K OHM 1 / 16 W 1608 5.00% D	
		R905	0RH3301C622	0	0	0	0	0	0	RESISTOR,METAL GLAZED(CHIP)	3.3K OHM 1 / 16 W 1608 5.00% D	
		R906	0RH4701C622	0	0	0	0	0	0	RESISTOR,METAL GLAZED(CHIP)	4.7K OHM 1 / 16 W 1608 5.00% D	
		R907	0RH8201C622	0	0	0	0	0	0	RESISTOR,METAL GLAZED(CHIP)	8.2K OHM 1 / 16 W 1608 5.00% D	
		R908	0RH1002C622	0	0	0	0	0	0	RESISTOR,METAL GLAZED(CHIP)	10K OHM 1 / 16 W 1608 5.00% D	
		R909	0RH1002C622	0	0	0	0	0	0	RESISTOR,METAL GLAZED(CHIP)	10K OHM 1 / 16 W 1608 5.00% D	
		R910	0RH3301C622	0	0	0	0	0	0	RESISTOR,METAL GLAZED(CHIP)	3.3K OHM 1 / 16 W 1608 5.00% D	
		R911	0RH3300C622	0	0	0	0	0	0	RESISTOR,METAL GLAZED(CHIP)	330 OHM 1 / 16 W 1608 5.00% D	
		R912	0RH2200C622	0	0	0	0	0	0	RESISTOR,METAL GLAZED(CHIP)	220 OHM 1 / 16 W 1608 5.00% D	
		R913	0RH2200C622	0	0	0	0	0	0	RESISTOR,METAL GLAZED(CHIP)	220 OHM 1 / 16 W 1608 5.00% D	
		R914	0RH1003C622	0	0	0	0	0	0	RESISTOR,METAL GLAZED(CHIP)	100K OHM 1 / 16 W 1608 5.00% D	
		R915	0RH1003C622	0	0	0	0	0	0	RESISTOR,METAL GLAZED(CHIP)	100K OHM 1 / 16 W 1608 5.00% D	
		R916	0RH1003C622	0	0	0	0	0	0	RESISTOR,METAL GLAZED(CHIP)	100K OHM 1 / 16 W 1608 5.00% D	
		R917	0RH1003C622	0	0	0	0	0	0	RESISTOR,METAL GLAZED(CHIP)	100K OHM 1 / 16 W 1608 5.00% D	
		R918	0RH1003C622	0	0	0	0	0	0	RESISTOR,METAL GLAZED(CHIP)	100K OHM 1 / 16 W 1608 5.00% D	
		R919	0RH1003C622	0	0	0	0	0	0	RESISTOR,METAL GLAZED(CHIP)	100K OHM 1 / 16 W 1608 5.00% D	
		R920	0RH1003C622	0	0	0	0	0	0	RESISTOR,METAL GLAZED(CHIP)	100K OHM 1 / 16 W 1608 5.00% D	
		R921	0RH1003C622	0	0	0	0	0	0	RESISTOR,METAL GLAZED(CHIP)	100K OHM 1 / 16 W 1608 5.00% D	
		R922	0RH1003C622	0	0	0	0	0	0	RESISTOR,METAL GLAZED(CHIP)	100K OHM 1 / 16 W 1608 5.00% D	
		R923	0RH1003C622	0	0	0	0	0	0	RESISTOR,METAL GLAZED(CHIP)	100K OHM 1 / 16 W 1608 5.00% D	
		R924	0RH1003C622	0	0	0	0	0	0	RESISTOR,METAL GLAZED(CHIP)	100K OHM 1 / 16 W 1608 5.00% D	
		R925	0RH1003C622	0	0	0	0	0	0	RESISTOR,METAL GLAZED(CHIP)	100K OHM 1 / 16 W 1608 5.00% D	
		R926	0RH1003C622	0	0	0	0	0	0	RESISTOR,METAL GLAZED(CHIP)	100K OHM 1 / 16 W 1608 5.00% D	
		R927	0RH1003C622	0	0	0	0	0	0	RESISTOR,METAL GLAZED(CHIP)	100K OHM 1 / 16 W 1608 5.00% D	
		R928	0RH1003C622	0	0	0	0	0	0	RESISTOR,METAL GLAZED(CHIP)	100K OHM 1 / 16 W 1608 5.00% D	
		R929	0RH1003C622	0	0	0	0	0	0	RESISTOR,METAL GLAZED(CHIP)	100K OHM 1 / 16 W 1608 5.00% D	
		R930	0RH1003C622	0	0	0	0	0	0	RESISTOR,METAL GLAZED(CHIP)	100K OHM 1 / 16 W 1608 5.00% D	
		R931	0RH1003C622	0	0	0	0	0	0	RESISTOR,METAL GLAZED(CHIP)	100K OHM 1 / 16 W 1608 5.00% D	
		R932	0RH1003C622	0	0	0	0	0	0	RESISTOR,METAL GLAZED(CHIP)	100K OHM 1 / 16 W 1608 5.00% D	
		R933	0RH1003C622	0	0	0	0	0	0	RESISTOR,METAL GLAZED(CHIP)	100K OHM 1 / 16 W 1608 5.00% D	
		R934	0RH1003C622	0	0	0	0	0	0	RESISTOR,METAL GLAZED(CHIP)	100K OHM 1 / 16 W 1608 5.00% D	
		R935	0RH1003C622	0	0	0	0	0	0	RESISTOR,METAL GLAZED(CHIP)	100K OHM 1 / 16 W 1608 5.00% D	
		R936	0RH1003C622	0	0	0	0	0	0	RESISTOR,METAL GLAZED(CHIP)	100K OHM 1 / 16 W 1608 5.00% D	
		R937	0RH1003C622	0	0	0	0	0	0	RESISTOR,METAL GLAZED(CHIP)	100K OHM 1 / 16 W 1608 5.00% D	
		R938	0RH1003C622	0	0	0	0	0	0	RESISTOR,METAL GLAZED(CHIP)	100K OHM 1 / 16 W 1608 5.00% D	
		R940	0RH6800C622	0	0	0	0	0	0	RESISTOR,METAL GLAZED(CHIP)	680 OHM 1 / 16 W 1608 5.00% D	
		R941	0RH8200C622	0	0	0	0	0	0	RESISTOR,METAL GLAZED(CHIP)	820 OHM 1 / 16 W 1608 5.00% D	
		R942	0RH1201C622	0	0	0	0	0	0	RESISTOR,METAL GLAZED(CHIP)	1.2K OHM 1 / 16 W 1608 5.00% D	
		R943	0RH1501C622	0	0	0	0	0	0	RESISTOR,METAL GLAZED(CHIP)	1.5K OHM 1 / 16 W 1608 5.00% D	
		R944	0RH2201C622	0	0	0	0	0	0	RESISTOR,METAL GLAZED(CHIP)	2.2K OHM 1 / 16 W 1608 5.00% D	
		R945	0RH3301C622	0	0	0	0	0	0	RESISTOR,METAL GLAZED(CHIP)	3.3K OHM 1 / 16 W 1608 5.00% D	
		R951	0RH1000C622	0	0	0	0	0	0	RESISTOR,METAL GLAZED(CHIP)	100 OHM 1 / 16 W 1608 5.00% D	
		R952	0RH1000C622	0	0	0	0	0	0	RESISTOR,METAL GLAZED(CHIP)	100 OHM 1 / 16 W 1608 5.00% D	
		R953	0RH0000C622	0	0	0	0			RESISTOR,METAL GLAZED(CHIP)	0 OHM 1 / 16 W 1608 5.00% D	
		RC901	6712R1038GA	0	0	0	0	0	0	REMOTE CONTROLLER RECEIVER	TSOP2438SB1 VISHAY 38KHZ 10.2M	
		SW6U0	6600R-SH18A	0	0	0	0			SWITCH,TACT	CSS-4206 CHANGSHIN DC 30 V 10	
		SW901	556-219B	0	0	0	0	0	0	SWITCH,TACT	THVV502GAA POSTECH DC 12 V 5-	
		SW902	556-219B	0	0	0	0	0	0	SWITCH,TACT	THVV502GAA POSTECH DC 12 V 5-	
		SW903	556-219B	0	0	0	0	0	0	SWITCH,TACT	THVV502GAA POSTECH DC 12 V 5-	
		SW904	556-219B	0	0	0	0	0	0	SWITCH,TACT	THVV502GAA POSTECH DC 12 V 5-	
		SW905	556-219B	0	0	0	0	0	0	SWITCH,TACT	THVV502GAA POSTECH DC 12 V 5-	
		SW906	556-219B	0	0	0	0	0	0	SWITCH,TACT	THVV502GAA POSTECH DC 12 V 5-	
		SW907	556-219B	0	0	0	0	0	0	SWITCH,TACT	THVV502GAA POSTECH DC 12 V 5-	
		SW908	556-219B	0	0	0	0	0	0	SWITCH,TACT	THVV502GAA POSTECH DC 12 V 5-	
		SW909	556-219B	0	0	0	0	0	0	SWITCH,TACT	THVV502GAA POSTECH DC 12 V 5-	

S	AL	LOCA.NO	PART NO(LG)	A	B	C	D	E	F	DESCRIPTION	SPECIFICATION	REMARKS
		SW910	556-219B	O	O	O	O	O	O	SWITCH,TACT	THVV502GAA POSTECH DC 12 V 5-	
		SW911	556-219B	O	O	O	O	O	O	SWITCH,TACT	THVV502GAA POSTECH DC 12 V 5-	
		SW912	556-219B	O	O	O	O	O	O	SWITCH,TACT	THVV502GAA POSTECH DC 12 V 5-	
		SW913	556-219B	O	O	O	O	O	O	SWITCH,TACT	THVV502GAA POSTECH DC 12 V 5-	
		SW914	556-219B	O	O	O	O	O	O	SWITCH,TACT	THVV502GAA POSTECH DC 12 V 5-	
		SW915	556-219B	O	O	O	O	O	O	SWITCH,TACT	THVV502GAA POSTECH DC 12 V 5-	
⚠		T101	6170RNGW05B	O	O	O	O	O	O	TRANSFORMER,SMPS[COIL]	EER2828 SOOJUNG DVD SLIM	
⚠		V101	656-004C	O	O	O	O	O	O	VARISTOR,DRAWING	SVC681D-10A SAMHWA 4.O CUT	
		X501	6202R-BL06C	O	O	O	O	O	O	RESONATOR,CRYSTAL	HC-49/S BUBANG 27MHZ 20PPM 1	
		X901	6212BA3004A	O	O	O	O	O	O	RESONATOR,CERAMIC	CSTLS6M00G53-A0 MURATA 6MHZ +/-	
		ZD101	0DZ560009CJ	O	O	O	O	O	O	DIODE,ZENERS	GDZJ5.6B 26MM GRANDE TP26 DO34	
		ZD102	0DZ332609FB	O	O	O	O	O	O	DIODE,ZENERS	GDZJ3.3B 26MM GRANDE TP26 DO34	
		ZD510	0DZ562609AA	O	O	O	O	O	O	DIODE,ZENER	GDZJ5.6B 26MM TP GRANDE DO34	



# SERVICE MANUAL

**T5333CT/T5333C/T5133CT/  
T5133C/T5333AH/T5133AH**

**DVD VIDEO PLAYER**

© NAD 2003

**NAD ELECTRONICS INTERNATIONAL  
TORONTO**